



## TECHNICAL GUIDE

**LX SERIES  
SPLIT SYSTEM  
HEAT PUMPS**

**14 SEER – R-410A – 1 PHASE**

**1.5 THRU 5 NOMINAL TONS**

**MODELS: YHE18 THRU 60**

FOR INSTALLATION IN ALL US REGIONS AND CANADA



Due to continuous product improvement, specifications are subject to change without notice.

Visit us on the web at

[www.upgnet.com](http://www.upgnet.com) and [www.york.com](http://www.york.com)

Additional rating information can be found at

[www.ahridirectory.org](http://www.ahridirectory.org)

### WARRANTY SUMMARY\*

Extended 10-Years limited parts warranty.

Standard 10-year limited compressor warranty.

**Extended 10-Years limited parts warranty** requires online registration within 90 days of purchase for replacement or closing for new home construction.

\*Does not apply to R-22 models, 3-Phase models, or internet sales.

See Limited Warranty certificate in User's Information Manual for details.

## DESCRIPTION

The YHE models are the newest offering in our successful LX Series split system heat pump lineup. These outdoor units are optimized for the new 14 SEER / 8.2 HSPF Minimum Efficiency in all US Regions, and are specifically designed to be matched with York indoor coils, furnaces, and air handlers to provide a complete system solution.

## FEATURES

- **Easier Installation** - Independent panels provide quick access for unit setup. Installation time is reduced by easy power and control wiring access. Options are provided for TXV. The factory installed filter-drier and factory charge for a 15-Ft lineset means less time spent brazing and charging the system. The small base dimension and reduced unit size make for easier retrofits.
- **Accessible Information** - QR code on unit provides quick access to technical documents and warranty information.
- **Durable Finish** - The coated steel wire fan guard, coated external fasteners, and pre-treated G90-equivalent galvanized steel chassis components resist corrosion and rust creep. Champagne colored powdercoat paint further protects external panels.
- **Rugged Coil Protection** - Coils are protected from mechanical damage by a proven stamped steel coil guard design.
- **Quality Coils** - Enhanced aluminum fins are mechanically bonded to copper tubing.
- **Protected Compressor** - Compressors are protected internally by a high pressure relief valve and a temperature sensor, and externally by the system high and low pressure switches. The liquid line filter-drier is factory installed to protect the compressor against moisture and debris.
- **Reliable Operation** - Ball bearing fan motors provide superior performance in extreme temperatures. Factory installed accumulator ensures proper functioning across a wide range of conditions.
- **Environmentally Friendly** - CFC-free R-410A refrigerant delivers environmentally friendly performance with zero ozone depletion.
- **Top Discharge** - Air is blown up, away from the structure and any landscaping and allows compact location on multi-unit applications.
- **Low Operating Sound Levels** - Developed using CFD and FEA tools, the sturdy cabinet and top design provides sound performance of 75 dBA or lower. Compatible accessories for further sound reduction are also available.
- **Better Service Access** - Diagonal base valves with open access for low-loss fittings, single panel access to the electrical controls, full corner access, and removable fan guard allow easy access for unit maintenance.
- **Agency Listed** - Safety certified by CSA to UL 1995 / CSA 22.2. Performance certified to ANSI/AHRI Standard 210/240 in accordance with the Unitary Small Equipment certification program.

**LIST OF SECTIONS**

DESCRIPTION ..... 1  
 FEATURES ..... 1  
 NOMENCLATURE ..... 2  
 PHYSICAL AND ELECTRICAL DATA ..... 3  
 DIMENSIONS ..... 3  
 SYSTEM CHARGE FOR VARIOUS MATCHED SYSTEMS ..... 4  
 SYSTEM CAPACITY - Single Piece and Modular Air Handlers .. 5  
 SYSTEM CAPACITY - Upflow, Downflow & Horizontal Furnaces and Coils (Coil Only Ratings) ..... 9  
 SYSTEM CAPACITY - With High Efficiency Motor Furnaces ... 10  
 APPLICATION & ACCESSORIES ..... 31  
 SOUND POWER RATINGS - COOLING ..... 31  
 SOUND POWER RATINGS - HEATING ..... 32  
 MECHANICAL SPECIFICATIONS ..... 32  
 TYPICAL INSTALLATION ..... 33  
 TYPICAL FIELD WIRING ..... 34  
 ALTERNATIVE INSTALLATION CLEARANCES ..... 34  
 PERFORMANCE DATA - 1.5 TON ..... 35  
 PERFORMANCE DATA - 2 TON ..... 39  
 PERFORMANCE DATA - 2.5 TON ..... 44  
 PERFORMANCE DATA - 3 TON ..... 50  
 PERFORMANCE DATA - 3 TON ..... 55  
 PERFORMANCE DATA - 3.5 TON ..... 59  
 PERFORMANCE DATA - 4 TON ..... 65  
 PERFORMANCE DATA - 5 TON ..... 69

**NOMENCLATURE**

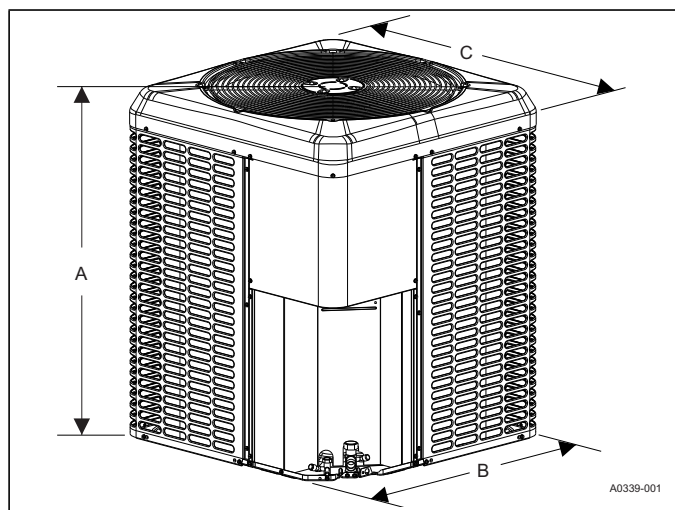
<b>BRAND</b>	<b>Y</b>	Y = York								
<b>PRODUCT TYPE</b>	<b>H</b>	H = Heat Pump								
<b>NOMINAL SERIES EFFICIENCY AND STAGING</b>	<b>E</b>	E = 14 SEER / 1-Stage								
<b>NOMINAL UNIT CAPACITY (MBH)</b>	<b>36</b>	<table> <tr> <td>18 = 1.5 Ton</td> <td>36 = 3 Ton</td> </tr> <tr> <td>24 = 2 Ton</td> <td>42 = 3.5 Ton</td> </tr> <tr> <td>30 = 2.5 Ton</td> <td>48 = 4 Ton</td> </tr> <tr> <td>35 = 3 Ton</td> <td>60 = 5 Ton</td> </tr> </table>	18 = 1.5 Ton	36 = 3 Ton	24 = 2 Ton	42 = 3.5 Ton	30 = 2.5 Ton	48 = 4 Ton	35 = 3 Ton	60 = 5 Ton
18 = 1.5 Ton	36 = 3 Ton									
24 = 2 Ton	42 = 3.5 Ton									
30 = 2.5 Ton	48 = 4 Ton									
35 = 3 Ton	60 = 5 Ton									
<b>REFRIGERANT</b>	<b>B</b>	B = R-410A								
<b>VOLTAGE (Voltage-Phase-Hertz)</b>	<b>2</b>	2 = 208/230-1-60								
<b>GENERATION (MAJOR REVISION)</b>	<b>1</b>	1 = 1st Gen 2 = 2nd Gen etc								
<b>FACTORY OPTION</b>	<b>S</b>	S = Standard (No Options) H = Hard Start Kit								
<b>STYLE LETTER (MINOR REVISION) NOT USED FOR ORDERING</b>	<b>A</b>	A = Style A B = Style B etc								

## PHYSICAL AND ELECTRICAL DATA

MODEL		YHE18B21S	YHE24B21S	YHE30B21S	YHE35B21S	YHE36B21H	YHE42B21H	YHE48B21S	YHE60B21S
Unit Supply Voltage		208-230V, 1 $\phi$ , 60Hz							
Normal Voltage Range <sup>1</sup>		187 to 252							
Minimum Circuit Ampacity		12.0	15.4	18.1	20.5	19.7	25.5	30.8	31.7
Max. Overcurrent Device Amps <sup>2</sup>		20	25	30	35	30	40	50	50
Min. Overcurrent Device Amps <sup>3</sup>		15	20	20	25	20	30	35	35
Compressor Type		Scroll	Scroll	Scroll	Scroll	Recip	Recip	Scroll	Scroll
Compressor Amps	Rated Load	9.0	11.7	13.4	15.4	14.7	19.4	23.6	24.3
	Locked Rotor	56.3	61.6	72.5	83.9	78.0	88.0	130.0	144.2
Crankcase Heater		No	No	No	No	Yes	Yes	No	No
Factory External Discharge Muffler		Yes	Yes	Yes	Yes	Yes	Yes	Yes	Yes
HS Kit Required with TXV <sup>4</sup>		No	No	No	No	Factory Installed	Factory Installed	No	No
Optional Start Kit: PN S1-2SA067 <sup>4</sup>		21806	10106	10106	10106			10106	10106
Fan Diameter Inches		22	22	24	24	24	24	26	26
Fan Motor	Rated HP	1/8	1/8	1/4	1/4	1/4	1/4	1/4	1/4
	Rated Load Amps	0.80	0.80	1.30	1.30	1.30	1.30	1.30	1.30
	Nominal RPM	1075	1075	850	850	850	850	850	850
	Nominal CFM	2850	2850	2995	2995	3715	3715	4000	4100
Coil	Face Area Sq. Ft.	16.15	17.94	23.82	23.82	23.82	23.82	26.40	28.80
	Rows Deep	1	1	1	1	2	2	2	2
	Fins / Inch	22	22	22	22	18	18	18	18
Liquid Line Set OD (Field Installed)		3/8	3/8	3/8	3/8	3/8	3/8	3/8	3/8
Vapor Line Set OD (Field Installed) <sup>5</sup>		3/4	3/4	3/4	3/4	3/4	7/8	7/8	1-1/8 <sup>‡</sup>
Unit Charge (Lbs. - Oz.) <sup>6</sup>		5 - 11	6 - 7	7 - 15	8 - 1	12 - 4	12 - 7	15 - 4	14 - 10
Charge Per Foot, Oz.		0.62	0.62	0.62	0.62	0.62	0.67	0.67	0.75
Operating Weight Lbs.		120	131	176	176	230	230	235	256

\* Models with "H" on the end of the model number are shipped with a Hard Start Kit installed at the factory.

1. Rated in accordance with AHRI Standard 110-2012, utilization range "A".
2. Dual element fuses or HACR circuit breaker. Maximum allowable overcurrent protection.
3. Dual element fuses or HACR circuit breaker. Minimum recommended overcurrent protection.
4. Use S1-2SA067\*\*\*\* series kit. See Hard Start Kit Accessory Installation Manual.
5. For applications with non-standard vapor line sizes, see the "Applications & Accessories" section of this Technical Guide.
6. The Unit Charge is correct for the outdoor unit, smallest matched indoor unit, and 15 feet of refrigerant tubing. For tubing lengths other than 15 feet, add or subtract the amount of refrigerant, using the difference in actual lineset length (not the equivalent length) multiplied by the per foot value.



## DIMENSIONS

Unit Model	Dimensions (Inches)			Refrigerant Connection Service Valve Size	
	A	B	C	Liquid	Vapor
YHE18B21S	33-1/4	29-1/4	29-1/4	3/8	3/4
YHE24B21S	36-1/4	29-1/4	29-1/4		
YHE30B21S	39-1/2	35-1/4	31-3/4		
YHE35B21S	39-1/2	35-1/4	31-3/4		
YHE36B21H	39-1/2	35-1/4	31-3/4		
YHE42B21H	39-1/2	35-1/4	31-3/4		
YHE48B21S	39-1/2	38	34-1/4	7/8	
YHE60B21S	42-3/4	38	34-1/4	7/8 <sup>‡</sup>	

<sup>‡</sup> Adapter fitting must be field installed for the required 1-1/8" line set.  
All dimensions are in inches and are subject to change without notice.  
Overall height is from bottom of base pan to top of fan guard.  
Overall length and width include screw heads.

**SYSTEM CHARGE FOR VARIOUS MATCHED SYSTEMS**

Outdoor Unit	YHE18B21S	YHE24B21S	YHE30B21S	YHE35B21S	YHE36B21H	YHE42B21H	YHE48B21S	YHE60B21S
Required TXV <sup>1,2</sup>	BA1	BA1	BB1 or BE1	BE1	BF1	BF1	BC1	BG1
Defrost Jumper Pin Setting	2	2	2	3	3	2	4	2
Indoor Unit <sup>3,4,5</sup>	Additional Charge, oz							
AP18B	0	—	—	—	—	—	—	—
AP24B	7	0	—	—	—	—	—	—
AP30B	—	9	0	—	—	—	—	—
AP36B	—	—	0	—	—	—	—	—
AP36C	—	—	—	—	—	—	—	—
AP37C	—	—	—	—	8	—	—	—
AP42C	—	—	—	—	—	—	—	—
AP48(C,D)	—	—	—	—	—	—	—	—
AP60(C,D)	—	—	—	—	—	—	—	—
AE18B	0	—	—	—	—	—	—	—
AE24B	7	0	—	—	—	—	—	—
AE30B	—	9	0	—	—	—	—	—
AE36(B,C)	—	—	0	0	—	—	—	—
AE42C	—	—	3	7	8	0	—	—
AE48(C,D)	—	—	—	—	8	0	0	—
AE60C	—	—	—	—	—	1	8	—
AE60D	—	—	—	—	—	—	—	2
AVC18B	0	—	—	—	—	—	—	—
AVC24B	7	0	—	—	—	—	—	—
AVC30B	—	9	0	—	—	—	—	—
AVC36(B,C)	—	—	0	0	—	—	—	—
AVC42C	—	—	3	7	8	0	—	—
AVC48(C,D)	—	—	—	—	8	0	0	—
AVC60C	—	—	—	—	—	1	8	—
AVC60D	—	—	—	—	—	—	—	2
CF/CM/CU18(A,B)	0	—	—	—	—	—	—	—
CF/CM/CU24(A,B)	7	0	—	—	—	—	—	—
CF/CM/CU30(A,B,C)	—	9	—	—	—	—	—	—
CF/CM/CU36(A,B,C)	—	—	0	0	—	—	—	—
CF/CM/CU42(B,C,D)	—	—	3	8	—	—	—	—
CF/CM/CU48(C,D)	—	—	—	7	8	0	0	—
CF/CM/CU60(C,D)	—	—	—	—	—	1	8	—
CF/CM64D	—	—	—	—	—	—	—	2

Some of the combinations shown in the above System Charge table require Advanced Main Air Circulating Fan indoor product. For approved coil only matches, please see the "COOLING CAPACITY - Upflow, Downflow & Horizontal Furnaces and Coils" table.

**FOOTNOTES:**

1. For applications requiring a TXV, use S1-1TVM\*\*\* series kit.
2. A TXV kit must be used with these indoor units to obtain system performance.
3. Systems matched with furnaces or air handlers not equipped with blower-off delays may require blower Time Delay Kit S1-2FD06700224.
4. CF coils cannot be used in horizontal applications.
5. Charge adders shown above do not indicate that coils are rated for every application. Refer to Performance Data Tables for actual performance for specified system matches. Obtain certified system ratings from [www.ahridirectory.org](http://www.ahridirectory.org).

**CHARGING PROCEDURES:**

1. Check the Factory Unit Charge listed on the unit nameplate to verify the refrigerant charge for the outdoor unit, the smallest matched indoor unit, and the 15 feet of interconnecting lineset.
2. Verify the indoor metering device and additional charge required for the specific matched indoor unit in the system using the above table.
3. Add additional charge for the amount of interconnecting lineset greater than 15 feet at the rate specified in the Physical and Electrical Table.
4. For installations requiring additional charge, weigh in refrigerant for the specific matching indoor unit and actual lineset length.
5. Once the charge adders for matched indoor unit and for lineset have been weighed in, verify the system operation against the temperatures and pressures in the Charging Chart for the outdoor unit. Locate Charging Charts on the outdoor unit and also in the Service Data Application Guide on [www.upgnet.com](http://www.upgnet.com). Follow the Subcool or the Superheat charging procedure in the Installation Manual according to the type of indoor metering device in the system, and allow ten minutes after each charge adjustment for the system operation to stabilize. Record the charge adjustment made to match the Charging Chart.
6. Permanently mark the unit nameplate with the total system charge. Total System Charge = Base Charge (as shipped) + charge adder for matched indoor unit + charge adder for actual lineset length +/- adjustments to match the charging chart.

**SYSTEM CAPACITY - Single Piece and Modular Air Handlers**

UNIT MODEL	AIR HANDLER		COIL MODEL <sup>3</sup>	RATED CFM	COOLING <sup>1</sup>				HEATING <sup>2</sup>					
	MODEL	WIDTH			NET MBH		SEER	EER	NET MBH		HSPF Region IV	HSPF Region V	COP	
					TOTAL	SENS.			47°F OD	17°F OD			47°F OD	17°F OD
YHE18B21S	AE18BX21	17.5	–	600	18.0	12.8	15.25	12.75	17.6	11.7	8.75	7.61	3.78	2.56
YHE18B21S	AE24BX21	17.5	–	600	18.0	12.9	15.25	12.75	17.5	11.7	9.00	7.83	3.82	2.58
YHE18B21S	AP18BX21	17.5	–	600	17.8	12.0	14.00	12.00	17.5	12.1	8.55	7.43	3.52	2.38
YHE18B21S	AP24BX21	17.5	–	600	17.8	12.0	14.00	12.00	17.5	12.1	8.55	7.43	3.52	2.38
YHE18B21S	AVC18BX21	17.5	–	600	18.0	12.8	15.25	12.75	17.3	11.7	8.75	7.61	3.78	2.54
YHE18B21S	AVC24BX21	17.5	–	600	18.0	12.9	15.25	12.75	17.5	11.7	9.00	7.83	3.82	2.58
YHE18B21S	ME08BN21	17.5	CF/CM18B	600	18.0	12.8	15.00	12.75	17.3	11.7	9.00	7.83	3.80	2.56
YHE18B21S	ME08BN21	17.5	CF/CM24B	600	18.0	12.8	15.25	12.75	17.5	11.7	9.00	7.83	3.84	2.60
YHE18B21S	ME12BN21	17.5	CF/CM18B	600	17.8	12.8	14.00	12.00	17.5	12.0	8.55	7.43	3.56	2.40
YHE18B21S	ME12BN21	17.5	CF/CM24B	600	17.8	12.6	14.00	12.00	17.5	12.0	8.55	7.43	3.60	2.44
YHE18B21S	MVC08BN21	17.5	CF/CM18B	550	17.8	12.8	15.00	12.75	17.3	11.7	8.75	7.61	3.72	2.54
YHE18B21S	MVC08BN21	17.5	CF/CM24B	575	18.0	12.9	15.25	12.75	17.5	11.6	9.00	7.83	3.86	2.60
YHE24B21S	AE24BX21	17.5	–	800	24.0	17.3	15.50	12.75	23.4	14.9	8.55	7.43	3.72	2.46
YHE24B21S	AE30BX21	17.5	–	800	24.0	17.6	16.00	13.00	24.0	15.4	8.55	7.43	3.96	2.66
YHE24B21S	AP24BX21	17.5	–	800	23.8	17.1	14.00	11.75	24.0	15.4	8.55	7.43	3.50	2.32
YHE24B21S	AP30BX21	17.5	–	800	24.0	17.3	15.25	12.25	24.0	15.6	8.55	7.43	3.80	2.54
YHE24B21S	AVC24BX21	17.5	–	750	24.0	16.8	15.25	12.75	23.4	15.0	8.55	7.43	3.64	2.44
YHE24B21S	AVC30BX21	17.5	–	775	24.0	17.3	16.00	13.00	23.8	15.3	8.55	7.43	3.94	2.66
YHE24B21S	ME08BN21	17.5	CF/CM24B	800	24.0	17.2	15.50	12.75	23.4	14.9	8.55	7.43	3.72	2.46
YHE24B21S	ME08BN21	17.5	CF/CM30B	800	24.0	17.3	16.00	13.00	23.8	15.3	8.55	7.43	3.98	2.68
YHE24B21S	ME12BN21	17.5	CF/CM24B	800	24.0	17.2	15.50	12.75	23.4	14.9	8.55	7.43	3.70	2.44
YHE24B21S	ME12BN21	17.5	CF/CM30B	800	24.0	17.4	16.00	13.00	24.0	15.4	8.55	7.43	3.96	2.66
YHE24B21S	ME14DN21	24.5	CF/CM30D	800	24.0	17.4	15.75	12.75	24.0	15.5	8.55	7.43	3.88	2.60
YHE24B21S	ME16CN21	21.0	CF/CM24C	875	24.0	17.9	14.25	12.00	24.0	15.3	8.55	7.43	3.62	2.36
YHE24B21S	MVC08BN21	17.5	CF/CM24B	800	24.0	16.8	15.50	12.75	23.4	14.9	8.55	7.43	3.72	2.46
YHE24B21S	MVC08BN21	17.5	CF/CM30B	700	24.0	17.0	16.00	13.00	23.6	15.2	8.55	7.43	3.84	2.64
YHE24B21S	MVC12BN21	17.5	CF/CM24B	800	24.0	16.8	15.25	12.75	23.4	14.9	8.55	7.43	3.70	2.44
YHE24B21S	MVC12BN21	17.5	CF/CM30B	690	24.0	17.0	16.00	13.00	23.6	15.2	8.55	7.43	3.84	2.64
YHE24B21S	MVC14DN21	21.0	CF/CM30D	800	24.0	17.0	16.00	13.00	23.8	15.2	8.75	7.61	4.04	2.70
YHE30B21S	AE30BX21	17.5	–	1000	28.4	21.1	14.00	12.00	28.0	19.2	8.20	7.13	3.36	2.40
YHE30B21S	AE36BX21	17.5	–	1000	29.4	21.8	15.50	13.00	29.0	19.5	8.55	7.43	3.96	2.76
YHE30B21S	AE36CX21	21.0	–	1000	29.4	22.0	15.75	13.00	29.0	19.4	8.55	7.43	4.00	2.80
YHE30B21S	AE42CX21	21.0	–	1000	29.6	22.2	16.00	13.00	28.6	19.4	8.55	7.43	4.06	2.84
YHE30B21S	AP30BX21	17.5	–	1000	28.8	21.2	14.00	12.00	29.6	20.0	8.55	7.43	3.74	2.62
YHE30B21S	AP36BX21	17.5	–	1000	28.8	21.4	14.00	12.00	29.6	20.0	8.55	7.43	3.76	2.64

Continued on next page.

## SYSTEM CAPACITY - Single Piece and Modular Air Handlers

UNIT MODEL	AIR HANDLER		COIL MODEL <sup>3</sup>	RATED CFM	COOLING <sup>1</sup>				HEATING <sup>2</sup>					
	MODEL	WIDTH			NET MBH		SEER	EER	NET MBH		HSPF Region IV	HSPF Region V	COP	
					TOTAL	SENS.			47°F OD	17°F OD			47°F OD	17°F OD
YHE30B21S	AVC30BX21	17.5	–	1000	28.4	21.1	14.00	12.00	28.0	19.2	8.20	7.13	3.36	2.40
YHE30B21S	AVC36BX21	17.5	–	975	29.4	21.8	15.50	13.00	29.0	19.4	8.55	7.43	3.98	2.78
YHE30B21S	AVC36CX21	21.0	–	975	29.6	21.8	16.00	13.00	28.8	19.3	8.55	7.43	4.04	2.82
YHE30B21S	AVC42CX21	21.0	–	975	29.2	21.8	15.75	13.00	28.6	19.3	8.55	7.43	4.04	2.84
YHE30B21S	ME12BN21	17.5	CF/CM36B	1000	29.2	21.8	15.25	12.75	29.0	19.5	8.55	7.43	3.94	2.76
YHE30B21S	ME12BN21	17.5	CF42B	975	29.6	22.0	15.50	13.00	28.6	19.1	8.55	7.43	3.96	2.72
YHE30B21S	ME14DN21	24.5	CF/CM36D	1000	29.4	22.0	16.00	13.00	29.0	19.3	8.55	7.43	4.02	2.80
YHE30B21S	ME14DN21	24.5	CF/CM42D	1000	29.8	22.2	16.00	13.00	28.4	18.9	8.55	7.43	4.04	2.78
YHE30B21S	ME16CN21	21.0	CF/CM36C	1000	29.2	21.6	14.75	12.25	29.2	19.7	8.55	7.43	3.86	2.70
YHE30B21S	ME16CN21	21.0	CF/CM42C	1000	29.4	21.8	15.00	12.50	28.8	19.2	8.55	7.43	3.88	2.68
YHE30B21S	MVC08BN21	17.5	CF42B	975	29.4	22.0	15.25	12.75	28.8	19.2	8.75	7.61	3.92	2.70
YHE30B21S	MVC12BN21	17.5	CF/CM36B	1000	29.2	17.3	15.00	12.50	29.2	19.6	8.75	7.61	3.90	2.72
YHE30B21S	MVC12BN21	17.5	CF42B	975	29.6	22.0	15.50	12.75	28.8	19.1	9.00	7.83	3.94	2.72
YHE30B21S	MVC14DN21	24.5	CF/CM36D	975	29.4	21.8	16.00	13.00	28.8	19.3	9.00	7.83	4.02	2.82
YHE30B21S	MVC14DN21	24.5	CF/CM42D	1000	29.8	22.0	16.00	13.00	28.4	18.9	9.00	7.83	4.04	2.78
YHE30B21S	MVC16CN21	21.0	CF/CM36C	1025	29.4	21.8	16.00	13.00	29.0	19.3	9.00	7.83	4.04	2.82
YHE30B21S	MVC16CN21	21.0	CF/CM42C	900	29.8	22.0	16.00	13.00	28.2	18.8	9.00	7.83	3.96	2.76
YHE35B21S	AE36BX21	17.5	–	1000	34.4	23.6	14.25	12.00	33.4	21.4	8.55	7.43	3.46	2.42
YHE35B21S	AE36CX21	21.0	–	1230	35.2	26.2	14.50	12.00	34.0	21.6	8.55	7.43	3.64	2.48
YHE35B21S	AE42CX21	21.0	–	1200	35.6	26.8	14.50	12.25	33.8	20.4	8.55	7.43	3.74	2.42
YHE35B21S	AVC36CX21	21.0	–	1125	34.8	25.2	14.25	12.00	33.6	21.6	8.55	7.43	3.58	2.46
YHE35B21S	AVC42CX21	21.0	–	1100	35.4	25.6	14.25	12.25	33.6	18.6	8.55	7.43	3.72	2.24
YHE35B21S	ME12BN21	17.5	CF42B	1150	35.0	25.8	14.00	11.75	34.0	21.6	8.55	7.43	3.60	2.44
YHE35B21S	ME14DN21	24.5	CF/CM36D	1225	35.2	25.6	14.25	12.25	33.6	21.6	8.55	7.43	3.62	2.48
YHE35B21S	ME14DN21	24.5	CF/CM42D	1200	35.4	26.0	14.75	12.25	33.6	21.2	8.55	7.43	3.72	2.50
YHE35B21S	ME16CN21	21.0	CF/CM36C	1225	35.2	25.6	14.25	12.00	33.6	21.6	8.55	7.43	3.60	2.48
YHE35B21S	ME16CN21	21.0	CF/CM42C	1225	35.8	27.0	14.50	12.50	33.6	21.4	8.55	7.43	3.76	2.52
YHE35B21S	MVC12BN21	17.5	CF42B	1100	35.0	25.6	14.00	11.75	33.8	21.6	8.55	7.43	3.62	2.44
YHE35B21S	MVC14DN21	24.5	CF/CM42D	1200	35.4	25.6	14.75	12.25	33.6	21.2	8.75	7.61	3.72	2.50
YHE35B21S	MVC20DN21	24.5	CF/CM36D	1120	35.4	25.2	14.50	12.25	33.6	21.6	8.75	7.61	3.64	2.50
YHE35B21S	MVC20DN21	24.5	CF/CM42D	1200	35.2	25.6	14.25	12.00	33.8	21.4	8.75	7.61	3.68	2.48
YHE36B21H	AE42CX21	21.0	–	1175	34.2	24.4	15.25	12.50	33.4	19.5	8.55	7.43	3.66	2.62
YHE36B21H	AE48CX21	21.0	–	1175	34.2	24.4	15.25	12.50	33.4	19.5	8.55	7.43	3.66	2.62
YHE36B21H	AE48DX21	24.5	–	1175	34.4	24.4	15.50	12.75	33.4	19.4	8.55	7.43	3.68	2.64
YHE36B21H	AP37CX21	21.0	–	1170	34.0	24.0	14.00	11.75	34.0	20.0	8.55	7.43	3.48	2.48

Continued on next page.

**SYSTEM CAPACITY - Single Piece and Modular Air Handlers**

UNIT MODEL	AIR HANDLER		COIL MODEL <sup>3</sup>	RATED CFM	COOLING <sup>1</sup>				HEATING <sup>2</sup>					
	MODEL	WIDTH			NET MBH		SEER	EER	NET MBH		HSPF Region IV	HSPF Region V	COP	
					TOTAL	SENS.			47°F OD	17°F OD			47°F OD	17°F OD
YHE36B21H	AVC42CX21	21.0	–	1150	34.4	24.2	15.50	12.75	33.4	19.4	8.55	7.43	3.66	2.64
YHE36B21H	AVC48CX21	21.0	–	1150	34.4	24.2	15.50	12.75	33.4	19.4	8.55	7.43	3.66	2.64
YHE36B21H	AVC48DX21	24.5	–	1150	34.6	24.4	16.00	13.00	33.2	19.3	8.55	7.43	3.72	2.68
YHE36B21H	ME14DN21	24.5	CF/CM48D	1175	34.4	24.4	15.50	12.75	33.4	19.4	8.55	7.43	3.70	2.64
YHE36B21H	ME16CN21	21.0	CF/CM48C	1175	34.4	24.4	15.50	12.75	33.4	19.4	8.55	7.43	3.68	2.64
YHE36B21H	MVC14DN21	24.5	CF/CM48D	1150	34.4	24.4	16.00	13.00	33.2	19.3	8.75	7.61	3.72	2.68
YHE36B21H	MVC16CN21	21.0	CF/CM48C	1200	34.4	24.4	15.50	12.75	33.4	19.4	8.55	7.43	3.70	2.64
YHE36B21H	MVC20DN21	24.5	CF/CM48D	1175	34.4	24.4	15.75	13.00	33.4	19.3	8.55	7.43	3.70	2.64
YHE42B21H	AE42CX21	21.0	–	1275	41.5	28.4	14.00	12.00	40.5	24.0	8.55	7.43	3.62	2.68
YHE42B21H	AE48CX21	21.0	–	1225	42.0	28.0	14.75	12.50	40.0	24.2	8.55	7.43	3.64	2.70
YHE42B21H	AE48DX21	24.5	–	1225	42.0	28.0	15.00	12.75	40.0	24.0	8.55	7.43	3.66	2.72
YHE42B21H	AE60CX21	21.0	–	1275	42.0	27.8	14.25	12.25	41.0	24.6	8.55	7.43	3.56	2.62
YHE42B21H	AVC42CX21	21.0	–	1250	42.0	27.8	14.50	12.25	40.5	24.4	8.55	7.43	3.60	2.68
YHE42B21H	AVC48CX21	21.0	–	1275	42.0	28.4	14.50	12.50	40.5	24.4	8.55	7.43	3.64	2.68
YHE42B21H	AVC48DX21	24.5	–	1300	42.0	28.6	14.75	12.75	40.5	24.2	9.00	7.83	3.68	2.72
YHE42B21H	AVC60CX21	21.0	–	1275	42.0	27.8	15.00	13.00	40.5	24.2	9.00	7.83	3.68	2.70
YHE42B21H	ME14DN21	24.5	CF/CM48D	1175	42.0	27.8	14.75	12.75	40.0	24.0	8.75	7.61	3.64	2.72
YHE42B21H	ME14DN21	24.5	CF/CM60D	1225	42.0	28.0	15.00	13.00	40.0	24.0	9.00	7.83	3.70	2.74
YHE42B21H	ME16CN21	21.0	CF/CM48C	1225	42.0	28.6	15.00	12.75	40.5	24.2	9.00	7.83	3.70	2.74
YHE42B21H	ME16CN21	21.0	CF/CM60C	1225	42.0	28.0	15.00	13.00	40.0	24.2	9.00	7.83	3.68	2.72
YHE42B21H	ME20DN21	24.5	CF/CM48D	1425	42.0	29.8	14.75	12.50	41.0	24.6	8.75	7.61	3.72	2.70
YHE42B21H	ME20DN21	24.5	CF/CM60D	1450	42.0	29.6	15.00	12.75	41.0	24.6	8.75	7.61	3.72	2.70
YHE42B21H	MVC14DN21	24.5	CF/CM48D	1325	42.0	28.0	14.75	12.50	40.5	24.4	8.75	7.61	3.66	2.70
YHE42B21H	MVC14DN21	24.5	CF/CM60D	1225	42.0	27.8	15.00	12.75	40.5	24.2	8.75	7.61	3.66	2.70
YHE42B21H	MVC16CN21	21.0	CF/CM48C	1275	42.0	28.0	14.75	12.75	40.5	24.4	8.75	7.61	3.68	2.72
YHE42B21H	MVC20DN21	24.5	CF/CM48D	1300	42.0	28.0	14.75	12.50	40.5	24.4	8.75	7.61	3.66	2.70
YHE42B21H	MVC20DN21	24.5	CF/CM60D	1250	42.0	27.8	15.00	13.00	40.0	24.0	9.00	7.83	3.70	2.72
YHE48B21S	AE48CX21	21.0	–	1,400	46.0	31.8	14.25	12.00	47.5	31.4	9.00	7.83	3.58	2.64
YHE48B21S	AE48DX21	24.5	–	1,400	46.5	32.0	14.50	12.25	47.5	31.4	9.00	7.83	3.62	2.66
YHE48B21S	AE60CX21	21.0	–	1,520	47.0	33.3	15.00	12.50	47.5	31.4	9.00	7.83	3.66	2.66
YHE48B21S	AVC48CX21	21.0	–	1,375	46.0	31.6	14.25	12.00	47.5	31.4	9.00	7.83	3.56	2.62
YHE48B21S	AVC48DX21	24.5	–	1,400	46.5	31.6	14.75	12.25	47.5	31.2	9.00	7.83	3.60	2.66
YHE48B21S	AVC60CX21	21.0	–	1,350	46.5	31.6	15.00	12.50	47.5	31.2	9.00	7.83	3.56	2.62
YHE48B21S	ME14DN21	24.5	CF/CM48D	1,400	46.5	32.0	14.50	12.25	47.5	31.4	9.00	7.83	3.60	2.66
YHE48B21S	ME14DN21	24.5	CF/CM60D	1,400	46.5	32.0	14.25	12.00	48.0	31.4	9.00	7.83	3.54	2.60

Continued on next page.

**SYSTEM CAPACITY - Single Piece and Modular Air Handlers**

UNIT MODEL	AIR HANDLER		COIL MODEL <sup>3</sup>	RATED CFM	COOLING <sup>1</sup>				HEATING <sup>2</sup>					
	MODEL	WIDTH			NET MBH		SEER	EER	NET MBH		HSPF Region IV	HSPF Region V	COP	
					TOTAL	SENS.			47°F OD	17°F OD			47°F OD	17°F OD
YHE48B21S	ME16CN21	21.0	CF/CM48C	1,400	46.0	31.8	14.50	12.00	47.5	31.4	9.00	7.83	3.58	2.64
YHE48B21S	ME16CN21	21.0	CF/CM60C	1,400	47.0	32.2	14.50	12.25	47.5	31.2	9.00	7.83	3.58	2.62
YHE48B21S	ME20DN21	24.5	CF/CM48D	1,400	46.5	31.8	14.50	12.00	47.5	31.4	9.00	7.83	3.60	2.66
YHE48B21S	ME20DN21	24.5	CF/CM60D	1,400	47.0	32.2	14.75	12.25	47.5	31.2	9.00	7.83	3.58	2.64
YHE48B21S	MVC16CN21	21.0	CF/CM48C	1425	46.0	31.6	14.50	12.00	47.5	31.4	9.00	7.83	3.60	2.64
YHE48B21S	MVC20DN21	24.5	CF/CM48D	1350	46.5	31.6	14.50	12.25	47.5	31.2	9.00	7.83	3.62	2.68
YHE48B21S	MVC20DN21	24.5	CF/CM60D	1475	47.5	31.6	15.00	12.50	47.5	31.4	9.00	7.83	3.64	2.66
YHE60B21S	AE60DX21	24.5	—	1640	55.5	38.5	14.25	12.00	57.0	37.8	9.00	7.83	3.88	2.82
YHE60B21S	AVC60DX21	24.5	—	1550	55.5	38.5	14.25	12.00	57.0	37.8	9.00	7.83	3.88	2.82
YHE60B21S	ME20DN21	24.5	CF/CM64D	1600	55.0	38.0	14.25	12.00	57.0	37.6	9.25	8.04	3.88	2.82
YHE60B21S	MVC20DN21	24.5	CF/CM64D	1600	55.5	38.5	14.25	12.00	57.0	37.6	9.25	8.04	3.90	2.82

Rated in accordance with DOE test procedures (Federal Register 12-27-79 and 3-18-88) and ANSI/AHRI Standard 210/240.

1. Cooling MBH based on 80°F entering air temperature, 50% RH (Relative Humidity), and rated air flow.

EER (Energy Efficiency Ratio) is the total cooling output in BTUs at 95°F outdoor ambient divided by the total electric power in watt-hours at those conditions.

SEER (Seasonal Energy Efficiency Ratio) is the total cooling output in BTUs during a normal annual usage period for cooling divided by the total electric power input in watt-hours during the same period.

2. Heating MBH based on AHRI standards of 70°F DB (Dry Bulb) entering indoor air, 72% RH (Relative Humidity) outdoor air with 25 feet of interconnecting piping and no supplemental electric heat operation.

HSPF (Heating Seasonal Performance Factor) is the total heating output during a normal annual usage period for heating divided by the total electric power input during the same period.

COP (Coefficient of Performance) equals Heating MBH output divided by (total KW input x 3.412).

— = Not applicable.

\* Notates "Hot Heat Pump" performance. These ratings are not AHRI listed.

MP Modular Air Handlers use Coil Only Ratings.

3. CM coils available with a factory installed horizontal drain pan. See price pages for specific model number.



**SYSTEM CAPACITY - Upflow, Downflow & Horizontal Furnaces and Coils (Coil Only Ratings)**

UNIT MODEL	COIL		CFM RANGE (MIN.-MAX.)	COOLING					HEATING					
	MODEL	WIDTH		RATED CFM	NET MBH		SEER <sup>1</sup>	EER	NET MBH		HSPF Region IV	HSPF Region V	COP	
					TOTAL	SENS.			47°F OD	17°F OD			47°F OD	17°F OD
YHE18B21S	CF/CM/CU18A	14.5	450 - 750	600	17.8	12.7	14.00	12.00	17.5	12.1	8.55	7.43	3.52	2.38
YHE18B21S	CF/CM/CU18B	17.5	450 - 750	600	17.8	12.7	14.00	12.00	17.5	12.1	8.55	7.43	3.52	2.38
YHE18B21S	CF/CM/CU24A	21.0	450 - 750	600	17.8	12.7	14.00	12.00	17.5	12.1	8.55	7.43	3.52	2.38
YHE18B21S	CF/CM/CU24B	14.5	450 - 750	600	17.8	12.7	14.00	12.00	17.5	12.1	8.55	7.43	3.52	2.38
YHE18B21S	CF/CM/CU24C	17.5	450 - 750	600	17.8	12.7	14.00	12.00	17.5	12.1	8.55	7.43	3.52	2.38
YHE24B21S	CF/CM/CU24A	14.5	600 - 1000	800	23.6	16.9	14.00	11.50	24.0	15.4	8.55	7.43	3.50	2.32
YHE24B21S	CF/CM/CU24B	17.5	600 - 1000	800	23.6	16.9	14.00	11.50	24.0	15.4	8.55	7.43	3.50	2.32
YHE24B21S	CF/CM/CU24C	21.0	600 - 1000	800	23.6	16.9	14.00	11.50	24.0	15.4	8.55	7.43	3.50	2.32
YHE24B21S	CF/CM/CU30B	17.5	600 - 1000	800	24.0	17.4	14.50	12.00	24.0	15.9	8.55	7.43	3.70	2.50
YHE24B21S	CF/CM/CU30C	21.0	600 - 1000	800	24.0	17.4	14.50	12.00	24.0	15.9	8.55	7.43	3.70	2.50
YHE24B21S	CF/CM/CU30D	24.5	600 - 1000	800	24.0	17.4	14.50	12.00	24.0	15.9	8.55	7.43	3.70	2.50
YHE30B21S	CF/CM/CU36B	17.5	800 - 1200	1000	28.8	21.2	14.00	12.00	29.6	20.0	8.55	7.43	3.74	2.62
YHE30B21S	CF/CM/CU36C	21.0	800 - 1200	1000	28.8	21.2	14.00	12.00	29.6	20.0	8.55	7.43	3.74	2.62
YHE30B21S	CF/CM/CU36D	24.5	800 - 1200	1000	28.8	21.2	14.00	12.00	29.6	20.0	8.55	7.43	3.74	2.62
YHE30B21S	CF/CM/CU42C	21.0	800 - 1200	1000	29.2	21.6	14.00	12.00	29.2	19.6	8.55	7.43	3.74	2.60
YHE30B21S	CF/CM/CU42D	24.5	800 - 1200	1000	29.2	21.6	14.00	12.00	29.2	19.6	8.55	7.43	3.74	2.60
YHE30B21S	CF/CM36A	14.5	800 - 1200	900	28.4	20.2	14.00	12.00	29.4	20.0	8.55	7.43	3.68	2.62
YHE36B21H	CF/CM/CU48C	21.0	1000 - 1400	1175	33.6	23.8	14.00	11.75	34.0	20.0	8.20	7.13	3.48	2.48
YHE36B21H	CF/CM/CU48D	24.5	1000 - 1400	1175	33.6	23.8	14.00	11.75	34.0	20.0	8.20	7.13	3.48	2.48
YHE48B21S	CF/CM/CU60C	21.0	1400 - 1600	1,600	47.0	33.8	14.00	11.75	47.5	32.0	8.20	7.13	3.54	2.50
YHE48B21S	CF/CM/CU60D	24.5	1400 - 1600	1,600	47.0	33.8	14.00	11.75	47.5	32.0	8.20	7.13	3.54	2.50

For rated condition information, see the footnotes below the System Capacity - Single Piece and Modular Air Handlers table.

1. Requires a S1-2FD06700224 Blower Time Delay unless a standard furnace is equipped with one.

— = Not Applicable.

MP Modular Air Handlers use Coil Only Ratings.

PSC furnaces, such as the TG8S, TGLS, and TG9S, use Coil Only Ratings.

**SYSTEM CAPACITY - With High Efficiency Motor Furnaces<sup>1</sup>**

UNIT MODEL	FURNACE		COIL MODEL	COOLING					HEATING					
	MODEL	WIDTH		RATED CFM	NET MBH		SEER	EER	NET MBH		HSPF Region IV	HSPF Region V	COP	
					TOTAL	SENS.			47°F OD	17°F OD			47°F OD	17°F OD
YHE18B21S	TM8V060A12MP11	14.5	CF/CM/CU18A	525	17.6	12.0	14.25	12.25	17.3	11.8	8.55	7.43	3.56	2.46
YHE18B21S	TM8V080B12MP11	17.5	CF/CM/CU24B	675	18.0	13.5	14.75	12.50	17.5	11.8	8.55	7.43	3.82	2.54
YHE18B21S	TM8X060A12MP11	14.5	CF/CM/CU18A	600	17.9	12.8	14.25	12.25	17.5	11.9	8.55	7.43	3.64	2.46
YHE18B21S	TM8X060A12MP11	14.5	CF/CM/CU24A	600	17.9	12.7	14.50	12.25	17.5	11.8	8.55	7.43	3.70	2.50
YHE18B21S	TM8X080B12MP11	17.5	CF/CM/CU18B	600	17.9	12.8	14.50	12.25	17.5	11.9	8.55	7.43	3.66	2.48
YHE18B21S	TM8X080B12MP11	17.5	CF/CM/CU24B	600	18.0	12.7	14.50	12.25	17.5	11.8	8.55	7.43	3.70	2.50
YHE18B21S	TM8X080C16MP11	21.0	CF/CM/CU24C	600	17.9	12.7	14.25	12.25	17.5	11.9	8.55	7.43	3.68	2.48
YHE18B21S	TM8X100C16MP11	21.0	CF/CM/CU24C	600	17.9	12.7	14.25	12.25	17.5	11.9	8.55	7.43	3.68	2.48
YHE18B21S	TM8Y060A12MP11	14.5	CF/CM/CU18A	600	17.9	12.8	14.25	12.25	17.5	11.9	8.55	7.43	3.64	2.46
YHE18B21S	TM8Y060A12MP11	14.5	CF/CM/CU24A	600	17.9	12.7	14.50	12.25	17.5	11.8	8.55	7.43	3.70	2.50
YHE18B21S	TM8Y080B12MP11	17.5	CF/CM/CU18B	600	17.9	12.8	14.50	12.25	17.5	11.9	8.55	7.43	3.66	2.48
YHE18B21S	TM8Y080B12MP11	17.5	CF/CM/CU24B	600	18.0	12.7	14.50	12.25	17.5	11.8	8.55	7.43	3.70	2.50
YHE18B21S	TM8Y080C16MP11	21.0	CF/CM/CU24C	600	17.9	12.7	14.25	12.25	17.5	11.9	8.55	7.43	3.68	2.48
YHE18B21S	TM8Y100C16MP11	21.0	CF/CM/CU24C	600	17.9	12.7	14.25	12.25	17.5	11.9	8.55	7.43	3.68	2.48
YHE18B21S	TM9E040A10MP11	14.5	CF/CM/CU18A	600	17.9	12.8	14.50	12.50	17.5	11.9	8.55	7.43	3.68	2.48
YHE18B21S	TM9E040A10MP11	14.5	CF/CM/CU24A	575	18.0	12.8	14.50	12.50	17.5	11.8	8.55	7.43	3.72	2.52
YHE18B21S	TM9E060B12MP11	17.5	CF/CM/CU24B	600	17.9	12.7	14.25	12.25	17.5	11.9	8.55	7.43	3.66	2.48
YHE18B21S	TM9E080B12MP11	17.5	CF/CM/CU24B	600	17.9	12.7	14.25	12.25	17.5	11.9	8.55	7.43	3.66	2.48
YHE18B21S	TM9E080C16MP11	21.0	CF/CM/CU24C	600	18.0	12.8	14.75	12.50	17.5	11.8	8.55	7.43	3.76	2.54
YHE18B21S	TM9E100C16MP11	21.0	CF/CM/CU24C	600	18.0	12.8	14.75	12.50	17.5	11.8	8.55	7.43	3.76	2.54
YHE18B21S	TM9V060B12MP11	17.5	CF/CM/CU24B	575	18.0	12.7	15.00	12.75	17.5	11.7	8.55	7.43	3.80	2.56
YHE18B21S	TM9V080B12MP11	17.5	CF/CM/CU24B	575	18.0	12.7	15.00	12.75	17.5	11.7	8.55	7.43	3.80	2.56
YHE18B21S	TM9Y040A10MP11	14.5	CF/CM/CU18A	600	17.9	12.8	14.50	12.50	17.5	11.9	8.55	7.43	3.68	2.48
YHE18B21S	TM9Y040A10MP11	14.5	CF/CM/CU24A	575	18.0	12.8	14.50	12.50	17.5	11.8	8.55	7.43	3.72	2.52
YHE18B21S	TM9Y060B12MP11	17.5	CF/CM/CU24B	600	17.9	12.7	14.25	12.25	17.5	11.9	8.55	7.43	3.66	2.48
YHE18B21S	TM9Y080B12MP11	17.5	CF/CM/CU24B	600	17.9	12.7	14.25	12.25	17.5	11.9	8.55	7.43	3.66	2.48
YHE18B21S	TM9Y080C16MP11	21.0	CF/CM/CU24C	600	18.0	12.8	14.75	12.50	17.5	11.8	8.55	7.43	3.76	2.54
YHE18B21S	TM9Y100C16MP11	21.0	CF/CM/CU24C	600	18.0	12.8	14.75	12.50	17.5	11.8	8.55	7.43	3.76	2.54
YHE18B21S	TMLV060A12MP11	14.5	CF/CM/CU18A	525	17.6	12.0	14.25	12.25	17.3	11.8	8.55	7.43	3.56	2.46
YHE18B21S	TMLV080B12MP11	17.5	CF/CM/CU24B	675	18.0	13.5	14.75	12.50	17.5	11.8	8.55	7.43	3.82	2.54
YHE18B21S	TMLX060A12MP11	14.5	CF/CM/CU18A	600	17.9	12.8	14.25	12.25	17.5	11.9	8.55	7.43	3.64	2.46
YHE18B21S	TMLX060A12MP11	14.5	CF/CM/CU24A	600	17.9	12.7	14.50	12.25	17.5	11.8	8.55	7.43	3.70	2.50
YHE18B21S	TMLX080B12MP11	17.5	CF/CM/CU18B	600	17.9	12.8	14.50	12.25	17.5	11.9	8.55	7.43	3.66	2.48
YHE18B21S	TMLX080B12MP11	17.5	CF/CM/CU24B	600	18.0	12.7	14.50	12.25	17.5	11.8	8.55	7.43	3.70	2.50
YHE18B21S	TMLX080C16MP11	21.0	CF/CM/CU24C	600	17.9	12.7	14.25	12.25	17.5	11.9	8.55	7.43	3.68	2.48
YHE18B21S	TMLX100C16MP11	21.0	CF/CM/CU24C	600	17.9	12.7	14.25	12.25	17.5	11.9	8.55	7.43	3.68	2.48
YHE18B21S	TP9C060B12MP12	17.5	CF/CM/CU24B	575	18.0	12.7	15.00	12.75	17.5	11.7	8.55	7.43	3.80	2.56

Continued on next page.

**SYSTEM CAPACITY - With High Efficiency Motor Furnaces<sup>1</sup>**

UNIT MODEL	FURNACE		COIL MODEL	COOLING					HEATING					
	MODEL	WIDTH		RATED CFM	NET MBH		SEER	EER	NET MBH		HSPF Region IV	HSPF Region V	COP	
					TOTAL	SENS.			47°F OD	17°F OD			47°F OD	17°F OD
YHE18B21S	TP9C080B12MP12	17.5	CF/CM/CU24B	575	18.0	12.7	15.00	12.75	17.5	11.7	8.55	7.43	3.80	2.56
YHE18B21S	TPLC060A12MP12	14.5	CF/CM/CU18A	525	17.6	12.0	14.25	12.25	17.3	11.8	8.55	7.43	3.56	2.46
YHE18B21S	TPLC080B12MP12	17.5	CF/CM/CU24B	675	18.0	13.5	14.75	12.50	17.5	11.8	8.55	7.43	3.82	2.54
YHE18B21S	YP9C060B12MP12	17.5	CF/CM/CU24B	575	18.0	12.7	15.00	12.75	17.5	11.7	8.55	7.43	3.80	2.56
YHE18B21S	YP9C080B12MP12	17.5	CF/CM/CU24B	575	18.0	12.7	15.00	12.75	17.5	11.7	8.55	7.43	3.80	2.56
YHE18B21S	YPLC060A12MP12	14.5	CF/CM/CU18A	525	17.6	12.0	14.25	12.25	17.3	11.8	8.55	7.43	3.56	2.46
YHE18B21S	YPLC080B12MP12	17.5	CF/CM/CU24B	675	18.0	13.5	14.75	12.50	17.5	11.8	8.55	7.43	3.82	2.54
YHE24B21S	TM8V060A12MP11	14.5	CF/CM/CU24A	725	23.6	16.4	14.75	12.25	23.4	15.1	8.55	7.43	3.54	2.40
YHE24B21S	TM8V060A12MP11	14.5	CF/CM/CU30A	725	24.0	16.9	15.75	12.75	23.8	15.5	8.55	7.43	3.78	2.58
YHE24B21S	TM8V080B12MP11	17.5	CF/CM/CU24B	675	23.6	15.9	15.00	12.50	23.2	15.0	8.55	7.43	3.52	2.40
YHE24B21S	TM8V080B12MP11	17.5	CF/CM/CU30B	800	24.0	17.4	15.75	13.00	24.0	15.5	8.55	7.43	3.88	2.60
YHE24B21S	TM8X060A12MP11	14.5	CF/CM/CU24A	800	24.0	17.1	15.25	12.75	23.6	15.0	8.55	7.43	3.70	2.44
YHE24B21S	TM8X060A12MP11	14.5	CF/CM/CU30A	700	24.0	16.6	16.00	13.00	23.6	15.3	8.55	7.43	3.82	2.62
YHE24B21S	TM8X080B12MP11	17.5	CF/CM/CU24B	725	23.6	16.5	15.50	12.75	23.2	14.9	8.55	7.43	3.62	2.46
YHE24B21S	TM8X080B12MP11	17.5	CF/CM/CU30B	725	24.0	16.9	16.00	13.00	23.6	15.3	8.55	7.43	3.88	2.64
YHE24B21S	TM8X080C16MP11	21.0	CF/CM/CU24C	800	24.0	17.2	15.75	13.00	23.4	14.9	8.55	7.43	3.74	2.46
YHE24B21S	TM8X080C16MP11	21.0	CF/CM/CU30C	800	24.0	17.4	16.00	13.00	23.8	15.3	8.55	7.43	4.00	2.68
YHE24B21S	TM8X080C16MP11	21.0	CF/CM/CU30D	800	24.0	17.4	16.00	13.00	23.8	15.3	8.55	7.43	4.00	2.68
YHE24B21S	TM8X100C16MP11	21.0	CF/CM/CU24C	800	24.0	17.2	15.75	13.00	23.4	14.9	8.55	7.43	3.74	2.46
YHE24B21S	TM8X100C16MP11	21.0	CF/CM/CU30C	800	24.0	17.4	16.00	13.00	23.8	15.3	8.55	7.43	4.00	2.68
YHE24B21S	TM8X100C16MP11	21.0	CF/CM/CU30D	800	24.0	17.4	16.00	13.00	23.8	15.3	8.55	7.43	4.00	2.68
YHE24B21S	TM8X100C20MP11	21.0	CF/CM/CU30C	800	24.0	17.3	15.25	12.50	24.0	15.7	8.55	7.43	3.80	2.56
YHE24B21S	TM8X100C20MP11	21.0	CF/CM/CU30D	800	24.0	17.3	15.25	12.50	24.0	15.7	8.55	7.43	3.80	2.56
YHE24B21S	TM8X120C20MP11	21.0	CF/CM/CU30C	800	24.0	17.3	15.25	12.50	24.0	15.7	8.55	7.43	3.80	2.56
YHE24B21S	TM8X120C20MP11	21.0	CF/CM/CU30D	800	24.0	17.3	15.25	12.50	24.0	15.7	8.55	7.43	3.80	2.56
YHE24B21S	TM8Y060A12MP11	14.5	CF/CM/CU24A	800	24.0	17.1	15.25	12.75	23.6	15.0	8.55	7.43	3.70	2.44
YHE24B21S	TM8Y060A12MP11	14.5	CF/CM/CU30A	700	24.0	16.6	16.00	13.00	23.6	15.3	8.55	7.43	3.82	2.62
YHE24B21S	TM8Y080B12MP11	17.5	CF/CM/CU24B	725	23.6	16.5	15.50	12.75	23.2	14.9	8.55	7.43	3.62	2.46
YHE24B21S	TM8Y080B12MP11	17.5	CF/CM/CU30B	725	24.0	16.9	16.00	13.00	23.6	15.3	8.55	7.43	3.88	2.64
YHE24B21S	TM8Y080C16MP11	21.0	CF/CM/CU24C	800	24.0	17.2	15.75	13.00	23.4	14.9	8.55	7.43	3.74	2.46
YHE24B21S	TM8Y080C16MP11	21.0	CF/CM/CU30C	800	24.0	17.4	16.00	13.00	23.8	15.3	8.55	7.43	4.00	2.68
YHE24B21S	TM8Y080C16MP11	21.0	CF/CM/CU30D	800	24.0	17.4	16.00	13.00	23.8	15.3	8.55	7.43	4.00	2.68
YHE24B21S	TM8Y100C16MP11	21.0	CF/CM/CU24C	800	24.0	17.2	15.75	13.00	23.4	14.9	8.55	7.43	3.74	2.46
YHE24B21S	TM8Y100C16MP11	21.0	CF/CM/CU30C	800	24.0	17.4	16.00	13.00	23.8	15.3	8.55	7.43	4.00	2.68
YHE24B21S	TM8Y100C16MP11	21.0	CF/CM/CU30D	800	24.0	17.4	16.00	13.00	23.8	15.3	8.55	7.43	4.00	2.68
YHE24B21S	TM8Y100C20MP11	21.0	CF/CM/CU30C	800	24.0	17.3	15.25	12.50	24.0	15.7	8.55	7.43	3.80	2.56
YHE24B21S	TM8Y100C20MP11	21.0	CF/CM/CU30D	800	24.0	17.3	15.25	12.50	24.0	15.7	8.55	7.43	3.80	2.56

Continued on next page.

SYSTEM CAPACITY - With High Efficiency Motor Furnaces<sup>1</sup>

UNIT MODEL	FURNACE		COIL MODEL	COOLING					HEATING					
	MODEL	WIDTH		RATED CFM	NET MBH		SEER	EER	NET MBH		HSPF Region IV	HSPF Region V	COP	
					TOTAL	SENS.			47°F OD	17°F OD			47°F OD	17°F OD
YHE24B21S	TM8Y120C20MP11	21.0	CF/CM/CU30C	800	24.0	17.3	15.25	12.50	24.0	15.7	8.55	7.43	3.80	2.56
YHE24B21S	TM8Y120C20MP11	21.0	CF/CM/CU30D	800	24.0	17.3	15.25	12.50	24.0	15.7	8.55	7.43	3.80	2.56
YHE24B21S	TM9E040A10MP11	14.5	CF/CM/CU24A	750	23.8	16.6	14.50	12.00	23.6	15.2	8.55	7.43	3.54	2.40
YHE24B21S	TM9E040A10MP11	14.5	CF/CM/CU30A	775	24.0	17.3	15.75	12.75	24.0	15.6	8.55	7.43	3.84	2.58
YHE24B21S	TM9E060B12MP11	17.5	CF/CM/CU24B	750	24.0	16.8	15.50	12.75	23.4	15.0	8.55	7.43	3.66	2.46
YHE24B21S	TM9E060B12MP11	17.5	CF/CM/CU30B	750	24.0	17.1	16.00	13.00	23.8	15.3	8.55	7.43	3.90	2.64
YHE24B21S	TM9E080B12MP11	17.5	CF/CM/CU24B	750	24.0	16.8	15.50	12.75	23.4	15.0	8.55	7.43	3.66	2.46
YHE24B21S	TM9E080B12MP11	17.5	CF/CM/CU30B	750	24.0	17.1	16.00	13.00	23.8	15.3	8.55	7.43	3.90	2.64
YHE24B21S	TM9E080C16MP11	21.0	CF/CM/CU24C	750	24.0	16.9	15.50	12.75	23.4	14.9	8.55	7.43	3.68	2.48
YHE24B21S	TM9E080C16MP11	21.0	CF/CM/CU30C	750	24.0	17.2	16.00	13.00	23.8	15.3	8.55	7.43	3.94	2.66
YHE24B21S	TM9E100C16MP11	21.0	CF/CM/CU24C	750	24.0	16.9	15.50	12.75	23.4	14.9	8.55	7.43	3.68	2.48
YHE24B21S	TM9E100C16MP11	21.0	CF/CM/CU30C	750	24.0	17.2	16.00	13.00	23.8	15.3	8.55	7.43	3.94	2.66
YHE24B21S	TM9E100C20MP11	21.0	CF/CM/CU24C	800	24.0	17.1	15.00	12.25	23.6	15.1	8.55	7.43	3.64	2.40
YHE24B21S	TM9E100C20MP11	21.0	CF/CM/CU30C	800	24.0	17.3	15.75	12.75	24.0	15.5	8.55	7.43	3.86	2.60
YHE24B21S	TM9E100C20MP11	21.0	CF/CM/CU30D	800	24.0	17.3	15.75	12.75	24.0	15.5	8.55	7.43	3.86	2.60
YHE24B21S	TM9E120D20MP11	24.5	CF/CM/CU30D	800	24.0	17.3	16.00	13.00	24.0	15.5	8.55	7.43	3.90	2.62
YHE24B21S	TM9V040A10MP11	14.5	CF/CM/CU24A	675	23.2	15.6	14.00	11.75	23.6	15.3	8.55	7.43	3.42	2.34
YHE24B21S	TM9V040A10MP11	14.5	CF/CM/CU30A	700	24.0	16.6	15.00	12.25	24.0	15.6	8.55	7.43	3.68	2.52
YHE24B21S	TM9V060B12MP11	17.5	CF/CM/CU24B	800	24.0	17.2	15.75	13.00	23.4	14.8	8.55	7.43	3.76	2.48
YHE24B21S	TM9V060B12MP11	17.5	CF/CM/CU30B	650	24.0	16.2	15.75	13.00	23.6	15.3	8.55	7.43	3.70	2.56
YHE24B21S	TM9V080B12MP11	17.5	CF/CM/CU24B	800	24.0	17.2	15.75	13.00	23.4	14.8	8.55	7.43	3.76	2.48
YHE24B21S	TM9V080B12MP11	17.5	CF/CM/CU30B	650	24.0	16.2	15.75	13.00	23.6	15.3	8.55	7.43	3.70	2.56
YHE24B21S	TM9Y040A10MP11	14.5	CF/CM/CU24A	750	23.8	16.6	14.50	12.00	23.6	15.2	8.55	7.43	3.54	2.40
YHE24B21S	TM9Y040A10MP11	14.5	CF/CM/CU30A	775	24.0	17.3	15.75	12.75	24.0	15.6	8.55	7.43	3.84	2.58
YHE24B21S	TM9Y060B12MP11	17.5	CF/CM/CU24B	750	24.0	16.8	15.50	12.75	23.4	15.0	8.55	7.43	3.66	2.46
YHE24B21S	TM9Y060B12MP11	17.5	CF/CM/CU30B	750	24.0	17.1	16.00	13.00	23.8	15.3	8.55	7.43	3.90	2.64
YHE24B21S	TM9Y080B12MP11	17.5	CF/CM/CU24B	750	24.0	16.8	15.50	12.75	23.4	15.0	8.55	7.43	3.66	2.46
YHE24B21S	TM9Y080B12MP11	17.5	CF/CM/CU30B	750	24.0	17.1	16.00	13.00	23.8	15.3	8.55	7.43	3.90	2.64
YHE24B21S	TM9Y080C16MP11	21.0	CF/CM/CU24C	750	24.0	16.9	15.50	12.75	23.4	14.9	8.55	7.43	3.68	2.48
YHE24B21S	TM9Y080C16MP11	21.0	CF/CM/CU30C	750	24.0	17.2	16.00	13.00	23.8	15.3	8.55	7.43	3.94	2.66
YHE24B21S	TM9Y100C16MP11	21.0	CF/CM/CU24C	750	24.0	16.9	15.50	12.75	23.4	14.9	8.55	7.43	3.68	2.48
YHE24B21S	TM9Y100C16MP11	21.0	CF/CM/CU30C	750	24.0	17.2	16.00	13.00	23.8	15.3	8.55	7.43	3.94	2.66
YHE24B21S	TM9Y100C20MP11	21.0	CF/CM/CU24C	800	24.0	17.1	15.00	12.25	23.6	15.1	8.55	7.43	3.64	2.40
YHE24B21S	TM9Y100C20MP11	21.0	CF/CM/CU30C	800	24.0	17.3	15.75	12.75	24.0	15.5	8.55	7.43	3.86	2.60
YHE24B21S	TM9Y100C20MP11	21.0	CF/CM/CU30D	800	24.0	17.3	15.75	12.75	24.0	15.5	8.55	7.43	3.86	2.60
YHE24B21S	TM9Y120D20MP11	24.5	CF/CM/CU30D	800	24.0	17.3	16.00	13.00	24.0	15.5	8.55	7.43	3.90	2.62
YHE24B21S	TMLV060A12MP11	14.5	CF/CM/CU24A	725	23.6	16.4	14.75	12.25	23.4	15.1	8.55	7.43	3.54	2.40

Continued on next page.

**SYSTEM CAPACITY - With High Efficiency Motor Furnaces<sup>1</sup>**

UNIT MODEL	FURNACE		COIL MODEL	COOLING					HEATING					
	MODEL	WIDTH		RATED CFM	NET MBH		SEER	EER	NET MBH		HSPF Region IV	HSPF Region V	COP	
					TOTAL	SENS.			47°F OD	17°F OD			47°F OD	17°F OD
YHE24B21S	TMLV060A12MP11	14.5	CF/CM/CU30A	725	24.0	16.9	15.75	12.75	23.8	15.5	8.55	7.43	3.78	2.58
YHE24B21S	TMLV080B12MP11	17.5	CF/CM/CU24B	675	23.6	15.9	15.00	12.50	23.2	15.0	8.55	7.43	3.52	2.40
YHE24B21S	TMLV080B12MP11	17.5	CF/CM/CU30B	800	24.0	17.4	15.75	13.00	24.0	15.5	8.55	7.43	3.88	2.60
YHE24B21S	TMLX060A12MP11	14.5	CF/CM/CU24A	800	24.0	17.1	15.25	12.75	23.6	15.0	8.55	7.43	3.70	2.44
YHE24B21S	TMLX060A12MP11	14.5	CF/CM/CU30A	700	24.0	16.6	16.00	13.00	23.6	15.3	8.55	7.43	3.82	2.62
YHE24B21S	TMLX080B12MP11	17.5	CF/CM/CU24B	725	23.6	16.5	15.50	12.75	23.2	14.9	8.55	7.43	3.62	2.46
YHE24B21S	TMLX080B12MP11	17.5	CF/CM/CU30B	725	24.0	16.9	16.00	13.00	23.6	15.3	8.55	7.43	3.88	2.64
YHE24B21S	TMLX080C16MP11	21.0	CF/CM/CU24C	800	24.0	17.2	15.75	13.00	23.4	14.9	8.55	7.43	3.74	2.46
YHE24B21S	TMLX080C16MP11	21.0	CF/CM/CU30C	800	24.0	17.4	16.00	13.00	23.8	15.3	8.55	7.43	4.00	2.68
YHE24B21S	TMLX080C16MP11	21.0	CF/CM/CU30D	800	24.0	17.4	16.00	13.00	23.8	15.3	8.55	7.43	4.00	2.68
YHE24B21S	TMLX100C16MP11	21.0	CF/CM/CU24C	800	24.0	17.2	15.75	13.00	23.4	14.9	8.55	7.43	3.74	2.46
YHE24B21S	TMLX100C16MP11	21.0	CF/CM/CU30C	800	24.0	17.4	16.00	13.00	23.8	15.3	8.55	7.43	4.00	2.68
YHE24B21S	TMLX100C16MP11	21.0	CF/CM/CU30D	800	24.0	17.4	16.00	13.00	23.8	15.3	8.55	7.43	4.00	2.68
YHE24B21S	TMLX100C20MP11	21.0	CF/CM/CU30C	800	24.0	17.3	15.25	12.50	24.0	15.7	8.55	7.43	3.80	2.56
YHE24B21S	TMLX100C20MP11	21.0	CF/CM/CU30D	800	24.0	17.3	15.25	12.50	24.0	15.7	8.55	7.43	3.80	2.56
YHE24B21S	TMLX120C20MP11	21.0	CF/CM/CU30C	800	24.0	17.3	15.25	12.50	24.0	15.7	8.55	7.43	3.80	2.56
YHE24B21S	TMLX120C20MP11	21.0	CF/CM/CU30D	800	24.0	17.3	15.25	12.50	24.0	15.7	8.55	7.43	3.80	2.56
YHE24B21S	TP9C060B12MP12	17.5	CF/CM/CU24B	800	24.0	17.2	15.75	13.00	23.4	14.8	8.55	7.43	3.76	2.48
YHE24B21S	TP9C060B12MP12	17.5	CF/CM/CU30B	650	24.0	16.2	15.75	13.00	23.6	15.3	8.55	7.43	3.70	2.56
YHE24B21S	TP9C080B12MP12	17.5	CF/CM/CU24B	800	24.0	17.2	15.75	13.00	23.4	14.8	8.55	7.43	3.76	2.48
YHE24B21S	TP9C080B12MP12	17.5	CF/CM/CU30B	650	24.0	16.2	15.75	13.00	23.6	15.3	8.55	7.43	3.70	2.56
YHE24B21S	TPLC060A12MP12	14.5	CF/CM/CU24A	725	23.6	16.4	14.75	12.25	23.4	15.1	8.55	7.43	3.54	2.40
YHE24B21S	TPLC060A12MP12	14.5	CF/CM/CU30A	725	24.0	16.9	15.75	12.75	23.8	15.5	8.55	7.43	3.78	2.58
YHE24B21S	TPLC080B12MP12	17.5	CF/CM/CU24B	675	23.6	15.9	15.00	12.50	23.2	15.0	8.55	7.43	3.52	2.40
YHE24B21S	TPLC080B12MP12	17.5	CF/CM/CU30B	800	24.0	17.4	15.75	13.00	24.0	15.5	8.55	7.43	3.88	2.60
YHE24B21S	YP9C060B12MP12	17.5	CF/CM/CU24B	800	24.0	17.2	15.75	13.00	23.4	14.8	8.55	7.43	3.76	2.48
YHE24B21S	YP9C060B12MP12	17.5	CF/CM/CU30B	650	24.0	16.2	15.75	13.00	23.6	15.3	8.55	7.43	3.70	2.56
YHE24B21S	YP9C080B12MP12	17.5	CF/CM/CU24B	800	24.0	17.2	15.75	13.00	23.4	14.8	8.55	7.43	3.76	2.48
YHE24B21S	YP9C080B12MP12	17.5	CF/CM/CU30B	650	24.0	16.2	15.75	13.00	23.6	15.3	8.55	7.43	3.70	2.56
YHE24B21S	YPLC060A12MP12	14.5	CF/CM/CU24A	725	23.6	16.4	14.75	12.25	23.4	15.1	8.55	7.43	3.54	2.40
YHE24B21S	YPLC060A12MP12	14.5	CF/CM/CU30A	725	24.0	16.9	15.75	12.75	23.8	15.5	8.55	7.43	3.78	2.58
YHE24B21S	YPLC080B12MP12	17.5	CF/CM/CU24B	675	23.6	15.9	15.00	12.50	23.2	15.0	8.55	7.43	3.52	2.40
YHE24B21S	YPLC080B12MP12	17.5	CF/CM/CU30B	800	24.0	17.4	15.75	13.00	24.0	15.5	8.55	7.43	3.88	2.60
YHE30B21S	TM8V060A12MP11	14.5	CF/CM36A	975	28.8	21.2	14.25	12.00	29.4	19.8	8.55	7.43	3.80	2.66
YHE30B21S	TM8V080B12MP11	17.5	CF/CM/CU36B	1025	29.2	21.8	14.75	12.50	29.4	19.7	8.55	7.43	3.86	2.70
YHE30B21S	TM8V080B12MP11	17.5	CF42B	1000	29.4	21.8	15.00	12.50	29.0	19.3	8.55	7.43	3.86	2.66
YHE30B21S	TM8V080C16MP11	21.0	CF/CM/CU36C	925	28.8	20.6	15.25	12.75	28.8	19.5	8.55	7.43	3.88	2.76

Continued on next page.

**SYSTEM CAPACITY - With High Efficiency Motor Furnaces<sup>1</sup>**

UNIT MODEL	FURNACE		COIL MODEL	COOLING					HEATING					
	MODEL	WIDTH		RATED CFM	NET MBH		SEER	EER	NET MBH		HSPF Region IV	HSPF Region V	COP	
					TOTAL	SENS.			47°F OD	17°F OD			47°F OD	17°F OD
YHE30B21S	TM8V080C16MP11	21.0	CF/CM/CU42C	925	29.8	21.4	15.75	13.00	28.4	19.0	8.55	7.43	3.92	2.72
YHE30B21S	TM8V100C16MP11	21.0	CF/CM/CU36C	925	28.8	20.6	15.25	12.75	28.8	19.5	8.55	7.43	3.88	2.76
YHE30B21S	TM8V100C16MP11	21.0	CF/CM/CU42C	925	29.8	21.4	15.75	13.00	28.4	19.0	8.55	7.43	3.92	2.72
YHE30B21S	TM8X060A12MP11	14.5	CF/CM36A	975	29.0	21.2	15.00	12.50	29.2	19.6	8.55	7.43	3.86	2.72
YHE30B21S	TM8X080B12MP11	17.5	CF/CM/CU36B	1000	29.2	21.8	15.25	12.75	29.2	19.6	8.55	7.43	3.92	2.74
YHE30B21S	TM8X080B12MP11	17.5	CF42B	1000	29.4	22.0	15.25	12.50	28.8	19.1	8.55	7.43	3.92	2.70
YHE30B21S	TM8X080C16MP11	21.0	CF/CM/CU36C	1000	29.2	21.8	15.25	12.75	29.0	19.5	8.55	7.43	3.94	2.76
YHE30B21S	TM8X080C16MP11	21.0	CF/CM/CU36D	1000	29.2	21.8	15.50	12.75	29.0	19.5	8.55	7.43	3.94	2.76
YHE30B21S	TM8X080C16MP11	21.0	CF/CM/CU42C	1000	29.6	22.0	15.50	13.00	28.6	19.1	8.55	7.43	3.96	2.72
YHE30B21S	TM8X080C16MP11	21.0	CF/CM/CU42D	1000	29.6	22.0	15.50	12.75	28.6	19.0	8.55	7.43	3.96	2.74
YHE30B21S	TM8X100C16MP11	21.0	CF/CM/CU36C	1000	29.2	21.8	15.25	12.75	29.0	19.5	8.55	7.43	3.94	2.76
YHE30B21S	TM8X100C16MP11	21.0	CF/CM/CU36D	1000	29.2	21.8	15.50	12.75	29.0	19.5	8.55	7.43	3.94	2.76
YHE30B21S	TM8X100C16MP11	21.0	CF/CM/CU42C	1000	29.6	22.0	15.50	13.00	28.6	19.1	8.55	7.43	3.96	2.72
YHE30B21S	TM8X100C16MP11	21.0	CF/CM/CU42D	1000	29.6	22.0	15.50	12.75	28.6	19.0	8.55	7.43	3.96	2.74
YHE30B21S	TM8X100C20MP11	21.0	CF/CM/CU36C	1000	29.2	21.8	15.25	12.75	29.0	19.5	8.55	7.43	3.94	2.76
YHE30B21S	TM8X100C20MP11	21.0	CF/CM/CU36D	1000	29.2	21.8	15.50	12.75	29.0	19.5	8.55	7.43	3.94	2.76
YHE30B21S	TM8X100C20MP11	21.0	CF/CM/CU42C	1000	29.6	22.0	15.50	13.00	28.6	19.1	8.55	7.43	3.96	2.72
YHE30B21S	TM8X100C20MP11	21.0	CF/CM/CU42D	1000	29.6	22.0	15.50	12.75	28.6	19.0	8.55	7.43	3.96	2.74
YHE30B21S	TM8X120C20MP11	21.0	CF/CM/CU36C	1000	29.2	21.8	15.25	12.75	29.0	19.5	8.55	7.43	3.94	2.76
YHE30B21S	TM8X120C20MP11	21.0	CF/CM/CU36D	1000	29.2	21.8	15.50	12.75	29.0	19.5	8.55	7.43	3.94	2.76
YHE30B21S	TM8X120C20MP11	21.0	CF/CM/CU42C	1000	29.6	22.0	15.50	13.00	28.6	19.1	8.55	7.43	3.96	2.72
YHE30B21S	TM8X120C20MP11	21.0	CF/CM/CU42D	1000	29.6	22.0	15.50	12.75	28.6	19.0	8.55	7.43	3.96	2.74
YHE30B21S	TM8Y060A12MP11	14.5	CF/CM36A	975	29.0	21.2	15.00	12.50	29.2	19.6	8.55	7.43	3.86	2.72
YHE30B21S	TM8Y080B12MP11	17.5	CF/CM/CU36B	1000	29.2	21.8	15.25	12.75	29.2	19.6	8.55	7.43	3.92	2.74
YHE30B21S	TM8Y080B12MP11	17.5	CF42B	1000	29.4	22.0	15.25	12.50	28.8	19.1	8.55	7.43	3.92	2.70
YHE30B21S	TM8Y080C16MP11	21.0	CF/CM/CU36C	1000	29.2	21.8	15.25	12.75	29.0	19.5	8.55	7.43	3.94	2.76
YHE30B21S	TM8Y080C16MP11	21.0	CF/CM/CU36D	1000	29.2	21.8	15.50	12.75	29.0	19.5	8.55	7.43	3.94	2.76
YHE30B21S	TM8Y080C16MP11	21.0	CF/CM/CU42C	1000	29.6	22.0	15.50	13.00	28.6	19.1	8.55	7.43	3.96	2.72
YHE30B21S	TM8Y080C16MP11	21.0	CF/CM/CU42D	1000	29.6	22.0	15.50	12.75	28.6	19.0	8.55	7.43	3.96	2.74
YHE30B21S	TM8Y100C16MP11	21.0	CF/CM/CU36C	1000	29.2	21.8	15.25	12.75	29.0	19.5	8.55	7.43	3.94	2.76
YHE30B21S	TM8Y100C16MP11	21.0	CF/CM/CU36D	1000	29.2	21.8	15.50	12.75	29.0	19.5	8.55	7.43	3.94	2.76
YHE30B21S	TM8Y100C16MP11	21.0	CF/CM/CU42C	1000	29.6	22.0	15.50	13.00	28.6	19.1	8.55	7.43	3.96	2.72
YHE30B21S	TM8Y100C16MP11	21.0	CF/CM/CU42D	1000	29.6	22.0	15.50	12.75	28.6	19.0	8.55	7.43	3.96	2.74
YHE30B21S	TM8Y100C20MP11	21.0	CF/CM/CU36C	1000	29.2	21.8	15.25	12.75	29.0	19.5	8.55	7.43	3.94	2.76
YHE30B21S	TM8Y100C20MP11	21.0	CF/CM/CU36D	1000	29.2	21.8	15.50	12.75	29.0	19.5	8.55	7.43	3.94	2.76
YHE30B21S	TM8Y100C20MP11	21.0	CF/CM/CU42C	1000	29.6	22.0	15.50	13.00	28.6	19.1	8.55	7.43	3.96	2.72
YHE30B21S	TM8Y100C20MP11	21.0	CF/CM/CU42D	1000	29.6	22.0	15.50	12.75	28.6	19.0	8.55	7.43	3.96	2.74

Continued on next page.

SYSTEM CAPACITY - With High Efficiency Motor Furnaces<sup>1</sup>

UNIT MODEL	FURNACE		COIL MODEL	COOLING					HEATING					
	MODEL	WIDTH		RATED CFM	NET MBH		SEER	EER	NET MBH		HSPF Region IV	HSPF Region V	COP	
					TOTAL	SENS.			47°F OD	17°F OD			47°F OD	17°F OD
YHE30B21S	TM8Y120C20MP11	21.0	CF/CM/CU36C	1000	29.2	21.8	15.25	12.75	29.0	19.5	8.55	7.43	3.94	2.76
YHE30B21S	TM8Y120C20MP11	21.0	CF/CM/CU36D	1000	29.2	21.8	15.50	12.75	29.0	19.5	8.55	7.43	3.94	2.76
YHE30B21S	TM8Y120C20MP11	21.0	CF/CM/CU42C	1000	29.6	22.0	15.50	13.00	28.6	19.1	8.55	7.43	3.96	2.72
YHE30B21S	TM8Y120C20MP11	21.0	CF/CM/CU42D	1000	29.6	22.0	15.50	12.75	28.6	19.0	8.55	7.43	3.96	2.74
YHE30B21S	TM9E040A10MP11	14.5	CF/CM36A	875	28.6	20.2	14.50	12.00	29.2	19.8	8.55	7.43	3.74	2.66
YHE30B21S	TM9E060B12MP11	17.5	CF/CM/CU36B	900	28.8	20.4	15.25	12.50	29.0	19.5	8.55	7.43	3.86	2.74
YHE30B21S	TM9E060B12MP11	17.5	CF42B	900	29.6	21.0	15.50	13.00	28.4	19.0	8.55	7.43	3.86	2.70
YHE30B21S	TM9E080B12MP11	17.5	CF/CM/CU36B	900	28.8	20.4	15.25	12.50	29.0	19.5	8.55	7.43	3.86	2.74
YHE30B21S	TM9E080B12MP11	17.5	CF42B	900	29.6	21.0	15.50	13.00	28.4	19.0	8.55	7.43	3.86	2.70
YHE30B21S	TM9E080C16MP11	21.0	CF/CM/CU36C	1000	29.2	21.6	15.00	12.50	29.2	19.6	8.55	7.43	3.90	2.72
YHE30B21S	TM9E080C16MP11	21.0	CF/CM/CU36D	1000	29.2	21.8	15.00	12.50	29.2	19.6	8.55	7.43	3.90	2.74
YHE30B21S	TM9E080C16MP11	21.0	CF/CM/CU42C	1000	29.4	22.0	15.25	12.50	28.8	19.2	8.55	7.43	3.90	2.70
YHE30B21S	TM9E080C16MP11	21.0	CF/CM/CU42D	1000	29.4	22.0	15.25	12.75	28.8	19.1	8.55	7.43	3.92	2.70
YHE30B21S	TM9E100C16MP11	21.0	CF/CM/CU36C	1000	29.2	21.6	15.00	12.50	29.2	19.6	8.55	7.43	3.90	2.72
YHE30B21S	TM9E100C16MP11	21.0	CF/CM/CU36D	1000	29.2	21.8	15.00	12.50	29.2	19.6	8.55	7.43	3.90	2.74
YHE30B21S	TM9E100C16MP11	21.0	CF/CM/CU42C	1000	29.4	22.0	15.25	12.50	28.8	19.2	8.55	7.43	3.90	2.70
YHE30B21S	TM9E100C16MP11	21.0	CF/CM/CU42D	1000	29.4	22.0	15.25	12.75	28.8	19.1	8.55	7.43	3.92	2.70
YHE30B21S	TM9E100C20MP11	21.0	CF/CM/CU36C	975	29.2	21.6	15.50	12.75	29.0	19.4	8.55	7.43	3.96	2.78
YHE30B21S	TM9E100C20MP11	21.0	CF/CM/CU36D	975	29.2	21.6	15.75	13.00	29.0	19.4	8.55	7.43	3.98	2.78
YHE30B21S	TM9E100C20MP11	21.0	CF/CM/CU42C	975	29.6	22.2	16.00	13.00	28.6	18.9	8.55	7.43	4.00	2.76
YHE30B21S	TM9E100C20MP11	21.0	CF/CM/CU42D	975	29.6	22.2	16.00	13.00	28.6	18.9	8.55	7.43	4.02	2.76
YHE30B21S	TM9E120D20MP11	24.5	CF/CM/CU36D	975	29.2	21.6	16.00	13.00	28.8	19.3	8.55	7.43	4.00	2.80
YHE30B21S	TM9E120D20MP11	24.5	CF/CM/CU42D	975	29.8	22.2	16.00	13.00	28.4	18.9	8.55	7.43	4.04	2.78
YHE30B21S	TM9V060B12MP11	17.5	CF/CM/CU36B	950	29.0	21.2	15.00	12.50	29.0	19.6	8.55	7.43	3.88	2.72
YHE30B21S	TM9V060B12MP11	17.5	CF42B	925	29.8	21.4	15.50	13.00	28.6	19.0	8.55	7.43	3.90	2.70
YHE30B21S	TM9V080B12MP11	17.5	CF/CM/CU36B	950	29.0	21.2	15.00	12.50	29.0	19.6	8.55	7.43	3.88	2.72
YHE30B21S	TM9V080B12MP11	17.5	CF42B	925	29.8	21.4	15.50	13.00	28.6	19.0	8.55	7.43	3.90	2.70
YHE30B21S	TM9V080C16MP11	21.0	CF/CM/CU36C	975	29.2	21.6	15.50	13.00	29.0	19.4	8.55	7.43	3.96	2.78
YHE30B21S	TM9V080C16MP11	21.0	CF/CM/CU42C	975	29.6	22.0	15.75	13.00	28.6	19.0	8.55	7.43	3.98	2.74
YHE30B21S	TM9V100C16MP11	21.0	CF/CM/CU36C	975	29.2	21.6	15.50	13.00	29.0	19.4	8.55	7.43	3.96	2.78
YHE30B21S	TM9V100C16MP11	21.0	CF/CM/CU42C	975	29.6	22.0	15.75	13.00	28.6	19.0	8.55	7.43	3.98	2.74
YHE30B21S	TM9V100C20MP11	21.0	CF/CM/CU36C	1075	29.0	22.4	15.00	12.50	29.2	19.6	8.55	7.43	3.96	2.74
YHE30B21S	TM9V120D20MP11	24.5	CF/CM/CU36D	1125	29.8	23.2	16.00	13.00	29.0	19.3	8.55	7.43	4.12	2.84
YHE30B21S	TM9V120D20MP11	24.5	CF/CM/CU42D	1125	29.8	23.2	15.50	13.00	29.0	19.7	8.55	7.43	4.04	2.80
YHE30B21S	TM9Y040A10MP11	14.5	CF/CM36A	875	28.6	20.2	14.50	12.00	29.2	19.8	8.55	7.43	3.74	2.66
YHE30B21S	TM9Y060B12MP11	17.5	CF/CM/CU36B	900	28.8	20.4	15.25	12.50	29.0	19.5	8.55	7.43	3.86	2.74
YHE30B21S	TM9Y060B12MP11	17.5	CF42B	900	29.6	21.0	15.50	13.00	28.4	19.0	8.55	7.43	3.86	2.70

Continued on next page.

**SYSTEM CAPACITY - With High Efficiency Motor Furnaces<sup>1</sup>**

UNIT MODEL	FURNACE		COIL MODEL	COOLING					HEATING					
	MODEL	WIDTH		RATED CFM	NET MBH		SEER	EER	NET MBH		HSPF Region IV	HSPF Region V	COP	
					TOTAL	SENS.			47°F OD	17°F OD			47°F OD	17°F OD
YHE30B21S	TM9Y080B12MP11	17.5	CF/CM/CU36B	900	28.8	20.4	15.25	12.50	29.0	19.5	8.55	7.43	3.86	2.74
YHE30B21S	TM9Y080B12MP11	17.5	CF42B	900	29.6	21.0	15.50	13.00	28.4	19.0	8.55	7.43	3.86	2.70
YHE30B21S	TM9Y080C16MP11	21.0	CF/CM/CU36C	1000	29.2	21.6	15.00	12.50	29.2	19.6	8.55	7.43	3.90	2.72
YHE30B21S	TM9Y080C16MP11	21.0	CF/CM/CU36D	1000	29.2	21.8	15.00	12.50	29.2	19.6	8.55	7.43	3.90	2.74
YHE30B21S	TM9Y080C16MP11	21.0	CF/CM/CU42C	1000	29.4	22.0	15.25	12.50	28.8	19.2	8.55	7.43	3.90	2.70
YHE30B21S	TM9Y080C16MP11	21.0	CF/CM/CU42D	1000	29.4	22.0	15.25	12.75	28.8	19.1	8.55	7.43	3.92	2.70
YHE30B21S	TM9Y100C16MP11	21.0	CF/CM/CU36C	1000	29.2	21.6	15.00	12.50	29.2	19.6	8.55	7.43	3.90	2.72
YHE30B21S	TM9Y100C16MP11	21.0	CF/CM/CU36D	1000	29.2	21.8	15.00	12.50	29.2	19.6	8.55	7.43	3.90	2.74
YHE30B21S	TM9Y100C16MP11	21.0	CF/CM/CU42C	1000	29.4	22.0	15.25	12.50	28.8	19.2	8.55	7.43	3.90	2.70
YHE30B21S	TM9Y100C16MP11	21.0	CF/CM/CU42D	1000	29.4	22.0	15.25	12.75	28.8	19.1	8.55	7.43	3.92	2.70
YHE30B21S	TM9Y100C20MP11	21.0	CF/CM/CU36C	975	29.2	21.6	15.50	12.75	29.0	19.4	8.55	7.43	3.96	2.78
YHE30B21S	TM9Y100C20MP11	21.0	CF/CM/CU36D	975	29.2	21.6	15.75	13.00	29.0	19.4	8.55	7.43	3.98	2.78
YHE30B21S	TM9Y100C20MP11	21.0	CF/CM/CU42C	975	29.6	22.2	16.00	13.00	28.6	18.9	8.55	7.43	4.00	2.76
YHE30B21S	TM9Y100C20MP11	21.0	CF/CM/CU42D	975	29.6	22.2	16.00	13.00	28.6	18.9	8.55	7.43	4.02	2.76
YHE30B21S	TM9Y120D20MP11	24.5	CF/CM/CU36D	975	29.2	21.6	16.00	13.00	28.8	19.3	8.55	7.43	4.00	2.80
YHE30B21S	TM9Y120D20MP11	24.5	CF/CM/CU42D	975	29.8	22.2	16.00	13.00	28.4	18.9	8.55	7.43	4.04	2.78
YHE30B21S	TMLV060A12MP11	14.5	CF/CM36A	975	28.8	21.2	14.25	12.00	29.4	19.8	8.55	7.43	3.80	2.66
YHE30B21S	TMLV080B12MP11	17.5	CF/CM/CU36B	1025	29.2	21.8	14.75	12.50	29.4	19.7	8.55	7.43	3.86	2.70
YHE30B21S	TMLV080B12MP11	17.5	CF42B	1000	29.4	21.8	15.00	12.50	29.0	19.3	8.55	7.43	3.86	2.66
YHE30B21S	TMLV080C16MP11	21.0	CF/CM/CU36C	925	28.8	20.6	15.25	12.75	28.8	19.5	8.55	7.43	3.88	2.76
YHE30B21S	TMLV080C16MP11	21.0	CF/CM/CU42C	925	29.8	21.4	15.75	13.00	28.4	19.0	8.55	7.43	3.92	2.72
YHE30B21S	TMLV100C16MP11	21.0	CF/CM/CU36C	925	28.8	20.6	15.25	12.75	28.8	19.5	8.55	7.43	3.88	2.76
YHE30B21S	TMLV100C16MP11	21.0	CF/CM/CU42C	925	29.8	21.4	15.75	13.00	28.4	19.0	8.55	7.43	3.92	2.72
YHE30B21S	TMLX060A12MP11	14.5	CF/CM36A	975	29.0	21.2	15.00	12.50	29.2	19.6	8.55	7.43	3.86	2.72
YHE30B21S	TMLX080B12MP11	17.5	CF/CM/CU36B	1000	29.2	21.8	15.25	12.75	29.2	19.6	8.55	7.43	3.92	2.74
YHE30B21S	TMLX080B12MP11	17.5	CF42B	1000	29.4	22.0	15.25	12.50	28.8	19.1	8.55	7.43	3.92	2.70
YHE30B21S	TMLX080C16MP11	21.0	CF/CM/CU36C	1000	29.2	21.8	15.25	12.75	29.0	19.5	8.55	7.43	3.94	2.76
YHE30B21S	TMLX080C16MP11	21.0	CF/CM/CU36D	1000	29.2	21.8	15.50	12.75	29.0	19.5	8.55	7.43	3.94	2.76
YHE30B21S	TMLX080C16MP11	21.0	CF/CM/CU42C	1000	29.6	22.0	15.50	13.00	28.6	19.1	8.55	7.43	3.96	2.72
YHE30B21S	TMLX080C16MP11	21.0	CF/CM/CU42D	1000	29.6	22.0	15.50	12.75	28.6	19.0	8.55	7.43	3.96	2.74
YHE30B21S	TMLX100C16MP11	21.0	CF/CM/CU36C	1000	29.2	21.8	15.25	12.75	29.0	19.5	8.55	7.43	3.94	2.76
YHE30B21S	TMLX100C16MP11	21.0	CF/CM/CU36D	1000	29.2	21.8	15.50	12.75	29.0	19.5	8.55	7.43	3.94	2.76
YHE30B21S	TMLX100C16MP11	21.0	CF/CM/CU42C	1000	29.6	22.0	15.50	13.00	28.6	19.1	8.55	7.43	3.96	2.72
YHE30B21S	TMLX100C16MP11	21.0	CF/CM/CU42D	1000	29.6	22.0	15.50	12.75	28.6	19.0	8.55	7.43	3.96	2.74
YHE30B21S	TMLX100C20MP11	21.0	CF/CM/CU36C	1000	29.2	21.8	15.25	12.75	29.0	19.5	8.55	7.43	3.94	2.76
YHE30B21S	TMLX100C20MP11	21.0	CF/CM/CU36D	1000	29.2	21.8	15.50	12.75	29.0	19.5	8.55	7.43	3.94	2.76
YHE30B21S	TMLX100C20MP11	21.0	CF/CM/CU42C	1000	29.6	22.0	15.50	13.00	28.6	19.1	8.55	7.43	3.96	2.72

Continued on next page.



**SYSTEM CAPACITY - With High Efficiency Motor Furnaces<sup>1</sup>**

UNIT MODEL	FURNACE		COIL MODEL	COOLING					HEATING					
	MODEL	WIDTH		RATED CFM	NET MBH		SEER	EER	NET MBH		HSPF Region IV	HSPF Region V	COP	
					TOTAL	SENS.			47°F OD	17°F OD			47°F OD	17°F OD
YHE30B21S	TMLX100C20MP11	21.0	CF/CM/CU42D	1000	29.6	22.0	15.50	12.75	28.6	19.0	8.55	7.43	3.96	2.74
YHE30B21S	TMLX120C20MP11	21.0	CF/CM/CU36C	1000	29.2	21.8	15.25	12.75	29.0	19.5	8.55	7.43	3.94	2.76
YHE30B21S	TMLX120C20MP11	21.0	CF/CM/CU36D	1000	29.2	21.8	15.50	12.75	29.0	19.5	8.55	7.43	3.94	2.76
YHE30B21S	TMLX120C20MP11	21.0	CF/CM/CU42C	1000	29.6	22.0	15.50	13.00	28.6	19.1	8.55	7.43	3.96	2.72
YHE30B21S	TMLX120C20MP11	21.0	CF/CM/CU42D	1000	29.6	22.0	15.50	12.75	28.6	19.0	8.55	7.43	3.96	2.74
YHE30B21S	TP9C060B12MP12	17.5	CF/CM/CU36B	950	29.0	21.2	15.00	12.50	29.0	19.6	8.55	7.43	3.88	2.72
YHE30B21S	TP9C060B12MP12	17.5	CF42B	925	29.8	21.4	15.50	13.00	28.6	19.0	8.55	7.43	3.90	2.70
YHE30B21S	TP9C080B12MP12	17.5	CF/CM/CU36B	950	29.0	21.2	15.00	12.50	29.0	19.6	8.55	7.43	3.88	2.72
YHE30B21S	TP9C080B12MP12	17.5	CF42B	925	29.8	21.4	15.50	13.00	28.6	19.0	8.55	7.43	3.90	2.70
YHE30B21S	TP9C080C16MP12	21.0	CF/CM/CU36C	975	29.2	21.6	15.50	13.00	29.0	19.4	8.55	7.43	3.96	2.78
YHE30B21S	TP9C080C16MP12	21.0	CF/CM/CU42C	975	29.6	22.0	15.75	13.00	28.6	19.0	8.55	7.43	3.98	2.74
YHE30B21S	TP9C100C16MP12	21.0	CF/CM/CU36C	975	29.2	21.6	15.50	13.00	29.0	19.4	8.55	7.43	3.96	2.78
YHE30B21S	TP9C100C16MP12	21.0	CF/CM/CU42C	975	29.6	22.0	15.75	13.00	28.6	19.0	8.55	7.43	3.98	2.74
YHE30B21S	TP9C100C20MP12	21.0	CF/CM/CU36C	1075	29.0	22.4	15.00	12.50	29.2	19.6	8.55	7.43	3.96	2.74
YHE30B21S	TP9C120D20MP12	24.5	CF/CM/CU36D	1125	29.8	23.2	16.00	13.00	29.0	19.3	8.55	7.43	4.12	2.84
YHE30B21S	TP9C120D20MP12	24.5	CF/CM/CU42D	1125	29.8	23.2	15.50	13.00	29.0	19.7	8.55	7.43	4.04	2.80
YHE30B21S	TPLC060A12MP12	14.5	CF/CM36A	975	28.8	21.2	14.25	12.00	29.4	19.8	8.55	7.43	3.80	2.66
YHE30B21S	TPLC080B12MP12	17.5	CF/CM/CU36B	1025	29.2	21.8	14.75	12.50	29.4	19.7	8.55	7.43	3.86	2.70
YHE30B21S	TPLC080B12MP12	17.5	CF42B	1000	29.4	21.8	15.00	12.50	29.0	19.3	8.55	7.43	3.86	2.66
YHE30B21S	TPLC080C16MP12	21.0	CF/CM/CU36C	925	28.8	20.6	15.25	12.75	28.8	19.5	8.55	7.43	3.88	2.76
YHE30B21S	TPLC080C16MP12	21.0	CF/CM/CU42C	925	29.8	21.4	15.75	13.00	28.4	19.0	8.55	7.43	3.92	2.72
YHE30B21S	TPLC100C16MP12	21.0	CF/CM/CU36C	925	28.8	20.6	15.25	12.75	28.8	19.5	8.55	7.43	3.88	2.76
YHE30B21S	TPLC100C16MP12	21.0	CF/CM/CU42C	925	29.8	21.4	15.75	13.00	28.4	19.0	8.55	7.43	3.92	2.72
YHE30B21S	YP9C060B12MP12	17.5	CF/CM/CU36B	950	29.0	21.2	15.00	12.50	29.0	19.6	8.55	7.43	3.88	2.72
YHE30B21S	YP9C060B12MP12	17.5	CF42B	925	29.8	21.4	15.50	13.00	28.6	19.0	8.55	7.43	3.90	2.70
YHE30B21S	YP9C080B12MP12	17.5	CF/CM/CU36B	950	29.0	21.2	15.00	12.50	29.0	19.6	8.55	7.43	3.88	2.72
YHE30B21S	YP9C080B12MP12	17.5	CF42B	925	29.8	21.4	15.50	13.00	28.6	19.0	8.55	7.43	3.90	2.70
YHE30B21S	YP9C080C16MP12	21.0	CF/CM/CU36C	975	29.2	21.6	15.50	13.00	29.0	19.4	8.55	7.43	3.96	2.78
YHE30B21S	YP9C080C16MP12	21.0	CF/CM/CU42C	975	29.6	22.0	15.75	13.00	28.6	19.0	8.55	7.43	3.98	2.74
YHE30B21S	YP9C100C16MP12	21.0	CF/CM/CU36C	975	29.2	21.6	15.50	13.00	29.0	19.4	8.55	7.43	3.96	2.78
YHE30B21S	YP9C100C16MP12	21.0	CF/CM/CU42C	975	29.6	22.0	15.75	13.00	28.6	19.0	8.55	7.43	3.98	2.74
YHE30B21S	YP9C100C20MP12	21.0	CF/CM/CU36C	1075	29.0	22.4	15.00	12.50	29.2	19.6	8.55	7.43	3.96	2.74
YHE30B21S	YP9C120D20MP12	24.5	CF/CM/CU36D	1125	29.8	23.2	16.00	13.00	29.0	19.3	8.55	7.43	4.12	2.84
YHE30B21S	YP9C120D20MP12	24.5	CF/CM/CU42D	1125	29.8	23.2	15.50	13.00	29.0	19.7	8.55	7.43	4.04	2.80
YHE30B21S	YPLC060A12MP12	14.5	CF/CM36A	975	28.8	21.2	14.25	12.00	29.4	19.8	8.55	7.43	3.80	2.66
YHE30B21S	YPLC080B12MP12	17.5	CF/CM/CU36B	1025	29.2	21.8	14.75	12.50	29.4	19.7	8.55	7.43	3.86	2.70
YHE30B21S	YPLC080B12MP12	17.5	CF42B	1000	29.4	21.8	15.00	12.50	29.0	19.3	8.55	7.43	3.86	2.66

Continued on next page.

**SYSTEM CAPACITY - With High Efficiency Motor Furnaces<sup>1</sup>**

UNIT MODEL	FURNACE		COIL MODEL	COOLING					HEATING					
	MODEL	WIDTH		RATED CFM	NET MBH		SEER	EER	NET MBH		HSPF Region IV	HSPF Region V	COP	
					TOTAL	SENS.			47°F OD	17°F OD			47°F OD	17°F OD
YHE30B21S	YPLC080C16MP12	21.0	CF/CM/CU36C	925	28.8	20.6	15.25	12.75	28.8	19.5	8.55	7.43	3.88	2.76
YHE30B21S	YPLC080C16MP12	21.0	CF/CM/CU42C	925	29.8	21.4	15.75	13.00	28.4	19.0	8.55	7.43	3.92	2.72
YHE30B21S	YPLC100C16MP12	21.0	CF/CM/CU36C	925	28.8	20.6	15.25	12.75	28.8	19.5	8.55	7.43	3.88	2.76
YHE30B21S	YPLC100C16MP12	21.0	CF/CM/CU42C	925	29.8	21.4	15.75	13.00	28.4	19.0	8.55	7.43	3.92	2.72
YHE35B21S	TM8V080B12MP11	17.5	CF42B	1000	34.4	24.0	14.00	11.75	33.6	21.4	8.55	7.43	3.50	2.40
YHE35B21S	TM8V080C16MP11	21.0	CF/CM/CU36C	1100	34.6	24.6	14.00	12.00	33.6	21.6	8.55	7.43	3.54	2.44
YHE35B21S	TM8V080C16MP11	21.0	CF/CM/CU42C	1100	35.2	26.0	14.25	12.00	33.8	21.4	8.55	7.43	3.68	2.48
YHE35B21S	TM8V100C16MP11	21.0	CF/CM/CU36C	1100	34.6	24.6	14.00	12.00	33.6	21.6	8.55	7.43	3.54	2.44
YHE35B21S	TM8V100C16MP11	21.0	CF/CM/CU42C	1100	35.2	26.0	14.25	12.00	33.8	21.4	8.55	7.43	3.68	2.48
YHE35B21S	TM8V100C20MP11	21.0	CF/CM/CU36C	1100	34.6	24.6	14.00	11.75	33.6	21.8	8.55	7.43	3.50	2.42
YHE35B21S	TM8V100C20MP11	21.0	CF/CM/CU42C	1100	35.2	26.0	14.25	12.00	33.8	21.4	8.55	7.43	3.66	2.46
YHE35B21S	TM8V120C20MP11	21.0	CF/CM/CU36C	1100	34.6	24.6	14.00	11.75	33.6	21.8	8.55	7.43	3.50	2.42
YHE35B21S	TM8V120C20MP11	21.0	CF/CM/CU42C	1100	35.2	26.0	14.25	12.00	33.8	21.4	8.55	7.43	3.66	2.46
YHE35B21S	TM8X080B12MP11	17.5	CF42B	1175	35.0	25.8	14.00	11.75	34.0	21.6	8.55	7.43	3.60	2.42
YHE35B21S	TM8X080C16MP11	21.0	CF/CM/CU36C	1225	35.0	25.4	14.00	11.75	33.8	21.8	8.55	7.43	3.56	2.44
YHE35B21S	TM8X080C16MP11	21.0	CF/CM/CU36D	1075	34.8	24.6	14.50	12.00	33.4	21.6	8.55	7.43	3.54	2.46
YHE35B21S	TM8X080C16MP11	21.0	CF/CM/CU42C	1225	35.6	26.8	14.00	12.00	33.8	21.4	8.55	7.43	3.70	2.48
YHE35B21S	TM8X080C16MP11	21.0	CF/CM/CU42D	1075	35.2	25.2	14.50	12.25	33.4	21.2	8.55	7.43	3.66	2.48
YHE35B21S	TM8X100C16MP11	21.0	CF/CM/CU36C	1225	35.0	25.4	14.00	11.75	33.8	21.8	8.55	7.43	3.56	2.44
YHE35B21S	TM8X100C16MP11	21.0	CF/CM/CU36D	1075	34.8	24.6	14.50	12.00	33.4	21.6	8.55	7.43	3.54	2.46
YHE35B21S	TM8X100C16MP11	21.0	CF/CM/CU42C	1225	35.6	26.8	14.00	12.00	33.8	21.4	8.55	7.43	3.70	2.48
YHE35B21S	TM8X100C16MP11	21.0	CF/CM/CU42D	1075	35.2	25.2	14.50	12.25	33.4	21.2	8.55	7.43	3.66	2.48
YHE35B21S	TM8X100C20MP11	21.0	CF/CM/CU36C	1075	34.6	24.4	14.25	12.00	33.4	21.6	8.55	7.43	3.54	2.44
YHE35B21S	TM8X100C20MP11	21.0	CF/CM/CU36D	1100	34.8	24.8	14.25	12.25	33.4	21.6	8.55	7.43	3.56	2.46
YHE35B21S	TM8X100C20MP11	21.0	CF/CM/CU42C	1075	35.2	25.2	14.50	12.25	33.4	21.2	8.55	7.43	3.66	2.48
YHE35B21S	TM8X100C20MP11	21.0	CF/CM/CU42D	1100	35.4	26.0	14.75	12.50	33.6	21.2	8.55	7.43	3.74	2.52
YHE35B21S	TM8X120C20MP11	21.0	CF/CM/CU36C	1075	34.6	24.4	14.25	12.00	33.4	21.6	8.55	7.43	3.54	2.44
YHE35B21S	TM8X120C20MP11	21.0	CF/CM/CU36D	1100	34.8	24.8	14.25	12.25	33.4	21.6	8.55	7.43	3.56	2.46
YHE35B21S	TM8X120C20MP11	21.0	CF/CM/CU42C	1075	35.2	25.2	14.50	12.25	33.4	21.2	8.55	7.43	3.66	2.48
YHE35B21S	TM8X120C20MP11	21.0	CF/CM/CU42D	1100	35.4	26.0	14.75	12.50	33.6	21.2	8.55	7.43	3.74	2.52
YHE35B21S	TM8Y080B12MP11	17.5	CF42B	1175	35.0	25.8	14.00	11.75	34.0	21.6	8.55	7.43	3.60	2.42
YHE35B21S	TM8Y080C16MP11	21.0	CF/CM/CU36C	1225	35.0	25.4	14.00	11.75	33.8	21.8	8.55	7.43	3.56	2.44
YHE35B21S	TM8Y080C16MP11	21.0	CF/CM/CU36D	1075	34.8	24.6	14.50	12.00	33.4	21.6	8.55	7.43	3.54	2.46
YHE35B21S	TM8Y080C16MP11	21.0	CF/CM/CU42C	1225	35.6	26.8	14.00	12.00	33.8	21.4	8.55	7.43	3.70	2.48
YHE35B21S	TM8Y080C16MP11	21.0	CF/CM/CU42D	1075	35.2	25.2	14.50	12.25	33.4	21.2	8.55	7.43	3.66	2.48
YHE35B21S	TM8Y100C16MP11	21.0	CF/CM/CU36C	1225	35.0	25.4	14.00	11.75	33.8	21.8	8.55	7.43	3.56	2.44
YHE35B21S	TM8Y100C16MP11	21.0	CF/CM/CU36D	1075	34.8	24.6	14.50	12.00	33.4	21.6	8.55	7.43	3.54	2.46

Continued on next page.

SYSTEM CAPACITY - With High Efficiency Motor Furnaces<sup>1</sup>

UNIT MODEL	FURNACE		COIL MODEL	COOLING					HEATING					
	MODEL	WIDTH		RATED CFM	NET MBH		SEER	EER	NET MBH		HSPF Region IV	HSPF Region V	COP	
					TOTAL	SENS.			47°F OD	17°F OD			47°F OD	17°F OD
YHE35B21S	TM8Y100C16MP11	21.0	CF/CM/CU42C	1225	35.6	26.8	14.00	12.00	33.8	21.4	8.55	7.43	3.70	2.48
YHE35B21S	TM8Y100C16MP11	21.0	CF/CM/CU42D	1075	35.2	25.2	14.50	12.25	33.4	21.2	8.55	7.43	3.66	2.48
YHE35B21S	TM8Y100C20MP11	21.0	CF/CM/CU36C	1075	34.6	24.4	14.25	12.00	33.4	21.6	8.55	7.43	3.54	2.44
YHE35B21S	TM8Y100C20MP11	21.0	CF/CM/CU36D	1100	34.8	24.8	14.25	12.25	33.4	21.6	8.55	7.43	3.56	2.46
YHE35B21S	TM8Y100C20MP11	21.0	CF/CM/CU42C	1075	35.2	25.2	14.50	12.25	33.4	21.2	8.55	7.43	3.66	2.48
YHE35B21S	TM8Y100C20MP11	21.0	CF/CM/CU42D	1100	35.4	26.0	14.75	12.50	33.6	21.2	8.55	7.43	3.74	2.52
YHE35B21S	TM8Y120C20MP11	21.0	CF/CM/CU36C	1075	34.6	24.4	14.25	12.00	33.4	21.6	8.55	7.43	3.54	2.44
YHE35B21S	TM8Y120C20MP11	21.0	CF/CM/CU36D	1100	34.8	24.8	14.25	12.25	33.4	21.6	8.55	7.43	3.56	2.46
YHE35B21S	TM8Y120C20MP11	21.0	CF/CM/CU42C	1075	35.2	25.2	14.50	12.25	33.4	21.2	8.55	7.43	3.66	2.48
YHE35B21S	TM8Y120C20MP11	21.0	CF/CM/CU42D	1100	35.4	26.0	14.75	12.50	33.6	21.2	8.55	7.43	3.74	2.52
YHE35B21S	TM9E080C16MP11	21.0	CF/CM/CU36C	1075	34.6	24.4	14.00	12.00	33.6	21.6	8.55	7.43	3.50	2.42
YHE35B21S	TM9E080C16MP11	21.0	CF/CM/CU36D	1075	34.6	24.4	14.25	12.00	33.6	21.6	8.55	7.43	3.52	2.44
YHE35B21S	TM9E080C16MP11	21.0	CF/CM/CU42C	1225	35.4	26.6	14.00	12.00	34.0	21.6	8.55	7.43	3.66	2.46
YHE35B21S	TM9E080C16MP11	21.0	CF/CM/CU42D	1075	35.0	25.2	14.25	12.25	33.6	21.2	8.55	7.43	3.64	2.46
YHE35B21S	TM9E100C16MP11	21.0	CF/CM/CU36C	1075	34.6	24.4	14.00	12.00	33.6	21.6	8.55	7.43	3.50	2.42
YHE35B21S	TM9E100C16MP11	21.0	CF/CM/CU36D	1075	34.6	24.4	14.25	12.00	33.6	21.6	8.55	7.43	3.52	2.44
YHE35B21S	TM9E100C16MP11	21.0	CF/CM/CU42C	1225	35.4	26.6	14.00	12.00	34.0	21.6	8.55	7.43	3.66	2.46
YHE35B21S	TM9E100C16MP11	21.0	CF/CM/CU42D	1075	35.0	25.2	14.25	12.25	33.6	21.2	8.55	7.43	3.64	2.46
YHE35B21S	TM9E100C20MP11	21.0	CF/CM/CU36C	1225	35.0	25.4	14.00	11.75	33.8	21.8	8.55	7.43	3.54	2.42
YHE35B21S	TM9E100C20MP11	21.0	CF/CM/CU36D	1225	35.0	25.4	14.00	11.75	33.8	21.8	8.55	7.43	3.54	2.42
YHE35B21S	TM9E100C20MP11	21.0	CF/CM/CU42C	1225	35.6	26.8	14.00	12.00	34.0	21.6	8.55	7.43	3.68	2.46
YHE35B21S	TM9E100C20MP11	21.0	CF/CM/CU42D	1200	35.0	25.8	14.00	11.75	33.8	21.6	8.55	7.43	3.62	2.44
YHE35B21S	TM9E120D20MP11	24.5	CF/CM/CU36D	1225	35.0	25.4	14.00	11.75	33.8	21.8	8.55	7.43	3.56	2.44
YHE35B21S	TM9E120D20MP11	24.5	CF/CM/CU42D	1200	35.2	25.8	14.25	12.00	33.8	21.4	8.55	7.43	3.64	2.46
YHE35B21S	TM9V060B12MP11	17.5	CF42B	1175	35.0	25.8	14.00	11.75	34.0	21.6	8.55	7.43	3.60	2.42
YHE35B21S	TM9V080B12MP11	17.5	CF42B	1175	35.0	25.8	14.00	11.75	34.0	21.6	8.55	7.43	3.60	2.42
YHE35B21S	TM9V080C16MP11	21.0	CF/CM/CU42C	1275	35.4	27.0	14.00	11.75	34.2	21.6	8.55	7.43	3.68	2.46
YHE35B21S	TM9V100C16MP11	21.0	CF/CM/CU42C	1275	35.4	27.0	14.00	11.75	34.2	21.6	8.55	7.43	3.68	2.46
YHE35B21S	TM9V100C20MP11	21.0	CF/CM/CU36C	1075	34.6	24.4	14.00	11.75	33.6	21.6	8.55	7.43	3.48	2.42
YHE35B21S	TM9V100C20MP11	21.0	CF/CM/CU42C	1275	35.4	27.0	14.00	11.75	34.2	21.8	8.55	7.43	3.66	2.44
YHE35B21S	TM9V120D20MP11	24.5	CF/CM/CU42D	1125	35.2	26.0	14.50	12.00	33.6	21.4	8.55	7.43	3.68	2.48
YHE35B21S	TM9Y080C16MP11	21.0	CF/CM/CU36C	1075	34.6	24.4	14.00	12.00	33.6	21.6	8.55	7.43	3.50	2.42
YHE35B21S	TM9Y080C16MP11	21.0	CF/CM/CU36D	1075	34.6	24.4	14.25	12.00	33.6	21.6	8.55	7.43	3.52	2.44
YHE35B21S	TM9Y080C16MP11	21.0	CF/CM/CU42C	1225	35.4	26.6	14.00	12.00	34.0	21.6	8.55	7.43	3.66	2.46
YHE35B21S	TM9Y080C16MP11	21.0	CF/CM/CU42D	1075	35.0	25.2	14.25	12.25	33.6	21.2	8.55	7.43	3.64	2.46
YHE35B21S	TM9Y100C16MP11	21.0	CF/CM/CU36C	1075	34.6	24.4	14.00	12.00	33.6	21.6	8.55	7.43	3.50	2.42
YHE35B21S	TM9Y100C16MP11	21.0	CF/CM/CU36D	1075	34.6	24.4	14.25	12.00	33.6	21.6	8.55	7.43	3.52	2.44

Continued on next page.

**SYSTEM CAPACITY - With High Efficiency Motor Furnaces<sup>1</sup>**

UNIT MODEL	FURNACE		COIL MODEL	COOLING					HEATING					
	MODEL	WIDTH		RATED CFM	NET MBH		SEER	EER	NET MBH		HSPF Region IV	HSPF Region V	COP	
					TOTAL	SENS.			47°F OD	17°F OD			47°F OD	17°F OD
YHE35B21S	TM9Y100C16MP11	21.0	CF/CM/CU42C	1225	35.4	26.6	14.00	12.00	34.0	21.6	8.55	7.43	3.66	2.46
YHE35B21S	TM9Y100C16MP11	21.0	CF/CM/CU42D	1075	35.0	25.2	14.25	12.25	33.6	21.2	8.55	7.43	3.64	2.46
YHE35B21S	TM9Y100C20MP11	21.0	CF/CM/CU36C	1225	35.0	25.4	14.00	11.75	33.8	21.8	8.55	7.43	3.54	2.42
YHE35B21S	TM9Y100C20MP11	21.0	CF/CM/CU36D	1225	35.0	25.4	14.00	11.75	33.8	21.8	8.55	7.43	3.54	2.42
YHE35B21S	TM9Y100C20MP11	21.0	CF/CM/CU42C	1225	35.6	26.8	14.00	12.00	34.0	21.6	8.55	7.43	3.68	2.46
YHE35B21S	TM9Y100C20MP11	21.0	CF/CM/CU42D	1200	35.0	25.8	14.00	11.75	33.8	21.6	8.55	7.43	3.62	2.44
YHE35B21S	TM9Y120D20MP11	24.5	CF/CM/CU36D	1225	35.0	25.4	14.00	11.75	33.8	21.8	8.55	7.43	3.56	2.44
YHE35B21S	TM9Y120D20MP11	24.5	CF/CM/CU42D	1200	35.2	25.8	14.25	12.00	33.8	21.4	8.55	7.43	3.64	2.46
YHE35B21S	TMLV080B12MP11	17.5	CF42B	1000	34.4	24.0	14.00	11.75	33.6	21.4	8.55	7.43	3.50	2.40
YHE35B21S	TMLV080C16MP11	21.0	CF/CM/CU36C	1100	34.6	24.6	14.00	12.00	33.6	21.6	8.55	7.43	3.54	2.44
YHE35B21S	TMLV080C16MP11	21.0	CF/CM/CU42C	1100	35.2	26.0	14.25	12.00	33.8	21.4	8.55	7.43	3.68	2.48
YHE35B21S	TMLV100C16MP11	21.0	CF/CM/CU36C	1100	34.6	24.6	14.00	12.00	33.6	21.6	8.55	7.43	3.54	2.44
YHE35B21S	TMLV100C16MP11	21.0	CF/CM/CU42C	1100	35.2	26.0	14.25	12.00	33.8	21.4	8.55	7.43	3.68	2.48
YHE35B21S	TMLV100C20MP11	21.0	CF/CM/CU36C	1100	34.6	24.6	14.00	11.75	33.6	21.8	8.55	7.43	3.50	2.42
YHE35B21S	TMLV100C20MP11	21.0	CF/CM/CU42C	1100	35.2	26.0	14.25	12.00	33.8	21.4	8.55	7.43	3.66	2.46
YHE35B21S	TMLV120C20MP11	21.0	CF/CM/CU36C	1100	34.6	24.6	14.00	11.75	33.6	21.8	8.55	7.43	3.50	2.42
YHE35B21S	TMLV120C20MP11	21.0	CF/CM/CU42C	1100	35.2	26.0	14.25	12.00	33.8	21.4	8.55	7.43	3.66	2.46
YHE35B21S	TMLX080B12MP11	17.5	CF42B	1175	35.0	25.8	14.00	11.75	34.0	21.6	8.55	7.43	3.60	2.42
YHE35B21S	TMLX080C16MP11	21.0	CF/CM/CU36C	1225	35.0	25.4	14.00	11.75	33.8	21.8	8.55	7.43	3.56	2.44
YHE35B21S	TMLX080C16MP11	21.0	CF/CM/CU36D	1075	34.8	24.6	14.50	12.00	33.4	21.6	8.55	7.43	3.54	2.46
YHE35B21S	TMLX080C16MP11	21.0	CF/CM/CU42C	1225	35.6	26.8	14.00	12.00	33.8	21.4	8.55	7.43	3.70	2.48
YHE35B21S	TMLX080C16MP11	21.0	CF/CM/CU42D	1075	35.2	25.2	14.50	12.25	33.4	21.2	8.55	7.43	3.66	2.48
YHE35B21S	TMLX100C16MP11	21.0	CF/CM/CU36C	1225	35.0	25.4	14.00	11.75	33.8	21.8	8.55	7.43	3.56	2.44
YHE35B21S	TMLX100C16MP11	21.0	CF/CM/CU36D	1075	34.8	24.6	14.50	12.00	33.4	21.6	8.55	7.43	3.54	2.46
YHE35B21S	TMLX100C16MP11	21.0	CF/CM/CU42C	1225	35.6	26.8	14.00	12.00	33.8	21.4	8.55	7.43	3.70	2.48
YHE35B21S	TMLX100C16MP11	21.0	CF/CM/CU42D	1075	35.2	25.2	14.50	12.25	33.4	21.2	8.55	7.43	3.66	2.48
YHE35B21S	TMLX100C20MP11	21.0	CF/CM/CU36C	1075	34.6	24.4	14.25	12.00	33.4	21.6	8.55	7.43	3.54	2.44
YHE35B21S	TMLX100C20MP11	21.0	CF/CM/CU36D	1100	34.8	24.8	14.25	12.25	33.4	21.6	8.55	7.43	3.56	2.46
YHE35B21S	TMLX100C20MP11	21.0	CF/CM/CU42C	1075	35.2	25.2	14.50	12.25	33.4	21.2	8.55	7.43	3.66	2.48
YHE35B21S	TMLX100C20MP11	21.0	CF/CM/CU42D	1100	35.4	26.0	14.75	12.50	33.6	21.2	8.55	7.43	3.74	2.52
YHE35B21S	TMLX120C20MP11	21.0	CF/CM/CU36C	1075	34.6	24.4	14.25	12.00	33.4	21.6	8.55	7.43	3.54	2.44
YHE35B21S	TMLX120C20MP11	21.0	CF/CM/CU36D	1100	34.8	24.8	14.25	12.25	33.4	21.6	8.55	7.43	3.56	2.46
YHE35B21S	TMLX120C20MP11	21.0	CF/CM/CU42C	1075	35.2	25.2	14.50	12.25	33.4	21.2	8.55	7.43	3.66	2.48
YHE35B21S	TMLX120C20MP11	21.0	CF/CM/CU42D	1100	35.4	26.0	14.75	12.50	33.6	21.2	8.55	7.43	3.74	2.52
YHE35B21S	TP9C060B12MP12	17.5	CF42B	1175	35.0	25.8	14.00	11.75	34.0	21.6	8.55	7.43	3.60	2.42
YHE35B21S	TP9C080B12MP12	17.5	CF42B	1175	35.0	25.8	14.00	11.75	34.0	21.6	8.55	7.43	3.60	2.42
YHE35B21S	TP9C080C16MP12	21.0	CF/CM/CU42C	1275	35.4	27.0	14.00	11.75	34.2	21.6	8.55	7.43	3.68	2.46

Continued on next page.

**SYSTEM CAPACITY - With High Efficiency Motor Furnaces<sup>1</sup>**

UNIT MODEL	FURNACE		COIL MODEL	COOLING					HEATING					
	MODEL	WIDTH		RATED CFM	NET MBH		SEER	EER	NET MBH		HSPF Region IV	HSPF Region V	COP	
					TOTAL	SENS.			47°F OD	17°F OD			47°F OD	17°F OD
YHE35B21S	TP9C100C16MP12	21.0	CF/CM/CU42C	1275	35.4	27.0	14.00	11.75	34.2	21.6	8.55	7.43	3.68	2.46
YHE35B21S	TP9C100C20MP12	21.0	CF/CM/CU36C	1075	34.6	24.4	14.00	11.75	33.6	21.6	8.55	7.43	3.48	2.42
YHE35B21S	TP9C100C20MP12	21.0	CF/CM/CU42C	1275	35.4	27.0	14.00	11.75	34.2	21.8	8.55	7.43	3.66	2.44
YHE35B21S	TP9C120D20MP12	24.5	CF/CM/CU42D	1125	35.2	26.0	14.50	12.00	33.6	21.4	8.55	7.43	3.68	2.48
YHE35B21S	TPLC080B12MP12	17.5	CF42B	1000	34.4	24.0	14.00	11.75	33.6	21.4	8.55	7.43	3.50	2.40
YHE35B21S	TPLC080C16MP12	21.0	CF/CM/CU36C	1100	34.6	24.6	14.00	12.00	33.6	21.6	8.55	7.43	3.54	2.44
YHE35B21S	TPLC080C16MP12	21.0	CF/CM/CU42C	1100	35.2	26.0	14.25	12.00	33.8	21.4	8.55	7.43	3.68	2.48
YHE35B21S	TPLC100C16MP12	21.0	CF/CM/CU36C	1100	34.6	24.6	14.00	12.00	33.6	21.6	8.55	7.43	3.54	2.44
YHE35B21S	TPLC100C16MP12	21.0	CF/CM/CU42C	1100	35.2	26.0	14.25	12.00	33.8	21.4	8.55	7.43	3.68	2.48
YHE35B21S	TPLC100C20MP12	21.0	CF/CM/CU36C	1100	34.6	24.6	14.00	11.75	33.6	21.8	8.55	7.43	3.50	2.42
YHE35B21S	TPLC100C20MP12	21.0	CF/CM/CU42C	1100	35.2	26.0	14.25	12.00	33.8	21.4	8.55	7.43	3.66	2.46
YHE35B21S	TPLC120C20MP12	21.0	CF/CM/CU36C	1100	34.6	24.6	14.00	11.75	33.6	21.8	8.55	7.43	3.50	2.42
YHE35B21S	TPLC120C20MP12	21.0	CF/CM/CU42C	1100	35.2	26.0	14.25	12.00	33.8	21.4	8.55	7.43	3.66	2.46
YHE35B21S	YP9C060B12MP12	17.5	CF42B	1175	35.0	25.8	14.00	11.75	34.0	21.6	8.55	7.43	3.60	2.42
YHE35B21S	YP9C080B12MP12	17.5	CF42B	1175	35.0	25.8	14.00	11.75	34.0	21.6	8.55	7.43	3.60	2.42
YHE35B21S	YP9C080C16MP12	21.0	CF/CM/CU42C	1275	35.4	27.0	14.00	11.75	34.2	21.6	8.55	7.43	3.68	2.46
YHE35B21S	YP9C100C16MP12	21.0	CF/CM/CU42C	1275	35.4	27.0	14.00	11.75	34.2	21.6	8.55	7.43	3.68	2.46
YHE35B21S	YP9C100C20MP12	21.0	CF/CM/CU36C	1075	34.6	24.4	14.00	11.75	33.6	21.6	8.55	7.43	3.48	2.42
YHE35B21S	YP9C100C20MP12	21.0	CF/CM/CU42C	1275	35.4	27.0	14.00	11.75	34.2	21.8	8.55	7.43	3.66	2.44
YHE35B21S	YP9C120D20MP12	24.5	CF/CM/CU42D	1125	35.2	26.0	14.50	12.00	33.6	21.4	8.55	7.43	3.68	2.48
YHE35B21S	YPLC080B12MP12	17.5	CF42B	1000	34.4	24.0	14.00	11.75	33.6	21.4	8.55	7.43	3.50	2.40
YHE35B21S	YPLC080C16MP12	21.0	CF/CM/CU36C	1100	34.6	24.6	14.00	12.00	33.6	21.6	8.55	7.43	3.54	2.44
YHE35B21S	YPLC080C16MP12	21.0	CF/CM/CU42C	1100	35.2	26.0	14.25	12.00	33.8	21.4	8.55	7.43	3.68	2.48
YHE35B21S	YPLC100C16MP12	21.0	CF/CM/CU36C	1100	34.6	24.6	14.00	12.00	33.6	21.6	8.55	7.43	3.54	2.44
YHE35B21S	YPLC100C16MP12	21.0	CF/CM/CU42C	1100	35.2	26.0	14.25	12.00	33.8	21.4	8.55	7.43	3.68	2.48
YHE35B21S	YPLC100C20MP12	21.0	CF/CM/CU36C	1100	34.6	24.6	14.00	11.75	33.6	21.8	8.55	7.43	3.50	2.42
YHE35B21S	YPLC100C20MP12	21.0	CF/CM/CU42C	1100	35.2	26.0	14.25	12.00	33.8	21.4	8.55	7.43	3.66	2.46
YHE35B21S	YPLC120C20MP12	21.0	CF/CM/CU36C	1100	34.6	24.6	14.00	11.75	33.6	21.8	8.55	7.43	3.50	2.42
YHE35B21S	YPLC120C20MP12	21.0	CF/CM/CU42C	1100	35.2	26.0	14.25	12.00	33.8	21.4	8.55	7.43	3.66	2.46
YHE36B21H	TM8V080C16MP11	21.0	CF/CM/CU48C	1150	34.2	24.2	15.00	12.50	33.6	19.6	8.55	7.43	3.62	2.60
YHE36B21H	TM8V100C16MP11	21.0	CF/CM/CU48C	1150	34.2	24.2	15.00	12.50	33.6	19.6	8.55	7.43	3.62	2.60
YHE36B21H	TM8V100C20MP11	21.0	CF/CM/CU48D	1225	34.0	24.2	14.75	12.25	33.6	19.6	8.55	7.43	3.62	2.58
YHE36B21H	TM8V120C20MP11	21.0	CF/CM/CU48D	1225	34.0	24.2	14.75	12.25	33.6	19.6	8.55	7.43	3.62	2.58
YHE36B21H	TM8X080C16MP11	21.0	CF/CM/CU48C	1175	34.2	24.2	15.00	12.50	33.6	19.6	8.55	7.43	3.62	2.58
YHE36B21H	TM8X080C16MP11	21.0	CF/CM/CU48D	1175	34.2	24.2	15.00	12.50	33.6	19.6	8.55	7.43	3.62	2.58
YHE36B21H	TM8X100C16MP11	21.0	CF/CM/CU48C	1175	34.2	24.2	15.00	12.50	33.6	19.6	8.55	7.43	3.62	2.58
YHE36B21H	TM8X100C16MP11	21.0	CF/CM/CU48D	1175	34.2	24.2	15.00	12.50	33.6	19.6	8.55	7.43	3.62	2.58

Continued on next page.

**SYSTEM CAPACITY - With High Efficiency Motor Furnaces<sup>1</sup>**

UNIT MODEL	FURNACE		COIL MODEL	COOLING					HEATING					
	MODEL	WIDTH		RATED CFM	NET MBH		SEER	EER	NET MBH		HSPF Region IV	HSPF Region V	COP	
					TOTAL	SENS.			47°F OD	17°F OD			47°F OD	17°F OD
YHE36B21H	TM8X100C20MP11	21.0	CF/CM/CU48C	1175	34.0	24.2	14.75	12.25	33.6	19.6	8.55	7.43	3.60	2.58
YHE36B21H	TM8X100C20MP11	21.0	CF/CM/CU48D	1175	34.0	24.2	14.75	12.25	33.6	19.6	8.55	7.43	3.60	2.58
YHE36B21H	TM8X120C20MP11	21.0	CF/CM/CU48C	1175	34.0	24.2	14.75	12.25	33.6	19.6	8.55	7.43	3.60	2.58
YHE36B21H	TM8X120C20MP11	21.0	CF/CM/CU48D	1175	34.0	24.2	14.75	12.25	33.6	19.6	8.55	7.43	3.60	2.58
YHE36B21H	TM8Y080C16MP11	21.0	CF/CM/CU48C	1175	34.2	24.2	15.00	12.50	33.6	19.6	8.55	7.43	3.62	2.58
YHE36B21H	TM8Y080C16MP11	21.0	CF/CM/CU48D	1175	34.2	24.2	15.00	12.50	33.6	19.6	8.55	7.43	3.62	2.58
YHE36B21H	TM8Y100C16MP11	21.0	CF/CM/CU48C	1175	34.2	24.2	15.00	12.50	33.6	19.6	8.55	7.43	3.62	2.58
YHE36B21H	TM8Y100C16MP11	21.0	CF/CM/CU48D	1175	34.2	24.2	15.00	12.50	33.6	19.6	8.55	7.43	3.62	2.58
YHE36B21H	TM8Y100C20MP11	21.0	CF/CM/CU48C	1175	34.0	24.2	14.75	12.25	33.6	19.6	8.55	7.43	3.60	2.58
YHE36B21H	TM8Y100C20MP11	21.0	CF/CM/CU48D	1175	34.0	24.2	14.75	12.25	33.6	19.6	8.55	7.43	3.60	2.58
YHE36B21H	TM8Y120C20MP11	21.0	CF/CM/CU48C	1175	34.0	24.2	14.75	12.25	33.6	19.6	8.55	7.43	3.60	2.58
YHE36B21H	TM8Y120C20MP11	21.0	CF/CM/CU48D	1175	34.0	24.2	14.75	12.25	33.6	19.6	8.55	7.43	3.60	2.58
YHE36B21H	TM9E080C16MP11	21.0	CF/CM/CU48C	1175	34.0	24.0	14.75	12.25	33.6	19.7	8.55	7.43	3.58	2.56
YHE36B21H	TM9E080C16MP11	21.0	CF/CM/CU48D	1175	34.0	24.0	14.75	12.25	33.6	19.7	8.55	7.43	3.58	2.56
YHE36B21H	TM9E100C16MP11	21.0	CF/CM/CU48C	1175	34.0	24.0	14.75	12.25	33.6	19.7	8.55	7.43	3.58	2.56
YHE36B21H	TM9E100C16MP11	21.0	CF/CM/CU48D	1175	34.0	24.0	14.75	12.25	33.6	19.7	8.55	7.43	3.58	2.56
YHE36B21H	TM9E100C20MP11	21.0	CF/CM/CU48C	1175	34.0	24.2	14.75	12.25	33.6	19.6	8.55	7.43	3.60	2.58
YHE36B21H	TM9E100C20MP11	21.0	CF/CM/CU48D	1175	34.0	24.2	14.75	12.25	33.6	19.6	8.55	7.43	3.60	2.58
YHE36B21H	TM9E120D20MP11	24.5	CF/CM/CU48D	1175	34.2	24.2	15.00	12.50	33.6	19.5	8.55	7.43	3.62	2.60
YHE36B21H	TM9V080C16MP11	21.0	CF/CM/CU48D	1150	34.2	24.2	15.25	12.50	33.4	19.5	8.55	7.43	3.66	2.62
YHE36B21H	TM9V100C16MP11	21.0	CF/CM/CU48D	1150	34.2	24.2	15.25	12.50	33.4	19.5	8.55	7.43	3.66	2.62
YHE36B21H	TM9V100C20MP11	21.0	CF/CM/CU48C	1200	34.0	24.0	14.75	12.25	33.6	19.7	8.55	7.43	3.60	2.56
YHE36B21H	TM9V100C20MP11	21.0	CF/CM/CU48D	1250	34.4	25.2	15.00	12.50	34.0	19.8	8.55	7.43	3.66	2.58
YHE36B21H	TM9V120D20MP11	24.5	CF/CM/CU48D	1250	34.4	25.2	15.00	12.50	33.8	19.7	8.55	7.43	3.68	2.60
YHE36B21H	TM9Y080C16MP11	21.0	CF/CM/CU48C	1175	34.0	24.0	14.75	12.25	33.6	19.7	8.55	7.43	3.58	2.56
YHE36B21H	TM9Y080C16MP11	21.0	CF/CM/CU48D	1175	34.0	24.0	14.75	12.25	33.6	19.7	8.55	7.43	3.58	2.56
YHE36B21H	TM9Y100C16MP11	21.0	CF/CM/CU48C	1175	34.0	24.0	14.75	12.25	33.6	19.7	8.55	7.43	3.58	2.56
YHE36B21H	TM9Y100C16MP11	21.0	CF/CM/CU48D	1175	34.0	24.0	14.75	12.25	33.6	19.7	8.55	7.43	3.58	2.56
YHE36B21H	TM9Y100C20MP11	21.0	CF/CM/CU48C	1175	34.0	24.2	14.75	12.25	33.6	19.6	8.55	7.43	3.60	2.58
YHE36B21H	TM9Y100C20MP11	21.0	CF/CM/CU48D	1175	34.0	24.2	14.75	12.25	33.6	19.6	8.55	7.43	3.60	2.58
YHE36B21H	TM9Y120D20MP11	24.5	CF/CM/CU48D	1175	34.2	24.2	15.00	12.50	33.6	19.5	8.55	7.43	3.62	2.60
YHE36B21H	TMLV080C16MP11	21.0	CF/CM/CU48C	1150	34.2	24.2	15.00	12.50	33.6	19.6	8.55	7.43	3.62	2.60
YHE36B21H	TMLV100C16MP11	21.0	CF/CM/CU48C	1150	34.2	24.2	15.00	12.50	33.6	19.6	8.55	7.43	3.62	2.60
YHE36B21H	TMLV100C20MP11	21.0	CF/CM/CU48D	1225	34.0	24.2	14.75	12.25	33.6	19.6	8.55	7.43	3.62	2.58
YHE36B21H	TMLV120C20MP11	21.0	CF/CM/CU48D	1225	34.0	24.2	14.75	12.25	33.6	19.6	8.55	7.43	3.62	2.58
YHE36B21H	TMLX080C16MP11	21.0	CF/CM/CU48C	1175	34.2	24.2	15.00	12.50	33.6	19.6	8.55	7.43	3.62	2.58
YHE36B21H	TMLX080C16MP11	21.0	CF/CM/CU48D	1175	34.2	24.2	15.00	12.50	33.6	19.6	8.55	7.43	3.62	2.58

Continued on next page.

**SYSTEM CAPACITY - With High Efficiency Motor Furnaces<sup>1</sup>**

UNIT MODEL	FURNACE		COIL MODEL	COOLING					HEATING					
	MODEL	WIDTH		RATED CFM	NET MBH		SEER	EER	NET MBH		HSPF Region IV	HSPF Region V	COP	
					TOTAL	SENS.			47°F OD	17°F OD			47°F OD	17°F OD
YHE36B21H	TMLX100C16MP11	21.0	CF/CM/CU48C	1175	34.2	24.2	15.00	12.50	33.6	19.6	8.55	7.43	3.62	2.58
YHE36B21H	TMLX100C16MP11	21.0	CF/CM/CU48D	1175	34.2	24.2	15.00	12.50	33.6	19.6	8.55	7.43	3.62	2.58
YHE36B21H	TMLX100C20MP11	21.0	CF/CM/CU48C	1175	34.0	24.2	14.75	12.25	33.6	19.6	8.55	7.43	3.60	2.58
YHE36B21H	TMLX100C20MP11	21.0	CF/CM/CU48D	1175	34.0	24.2	14.75	12.25	33.6	19.6	8.55	7.43	3.60	2.58
YHE36B21H	TMLX120C20MP11	21.0	CF/CM/CU48C	1175	34.0	24.2	14.75	12.25	33.6	19.6	8.55	7.43	3.60	2.58
YHE36B21H	TMLX120C20MP11	21.0	CF/CM/CU48D	1175	34.0	24.2	14.75	12.25	33.6	19.6	8.55	7.43	3.60	2.58
YHE36B21H	TP9C080C16MP12	21.0	CF/CM/CU48D	1150	34.2	24.2	15.25	12.50	33.4	19.5	8.55	7.43	3.66	2.62
YHE36B21H	TP9C100C16MP12	21.0	CF/CM/CU48D	1150	34.2	24.2	15.25	12.50	33.4	19.5	8.55	7.43	3.66	2.62
YHE36B21H	TP9C100C20MP12	21.0	CF/CM/CU48C	1200	34.0	24.0	14.75	12.25	33.6	19.7	8.55	7.43	3.60	2.56
YHE36B21H	TP9C100C20MP12	21.0	CF/CM/CU48D	1250	34.4	25.2	15.00	12.50	34.0	19.8	8.55	7.43	3.66	2.58
YHE36B21H	TP9C120D20MP12	24.5	CF/CM/CU48D	1250	34.4	25.2	15.00	12.50	33.8	19.7	8.55	7.43	3.68	2.60
YHE36B21H	TPLC080C16MP12	21.0	CF/CM/CU48C	1150	34.2	24.2	15.00	12.50	33.6	19.6	8.55	7.43	3.62	2.60
YHE36B21H	TPLC100C16MP12	21.0	CF/CM/CU48C	1150	34.2	24.2	15.00	12.50	33.6	19.6	8.55	7.43	3.62	2.60
YHE36B21H	TPLC100C20MP12	21.0	CF/CM/CU48D	1225	34.0	24.2	14.75	12.25	33.6	19.6	8.55	7.43	3.62	2.58
YHE36B21H	TPLC120C20MP12	21.0	CF/CM/CU48D	1225	34.0	24.2	14.75	12.25	33.6	19.6	8.55	7.43	3.62	2.58
YHE36B21H	YP9C080C16MP12	21.0	CF/CM/CU48D	1150	34.2	24.2	15.25	12.50	33.4	19.5	8.55	7.43	3.66	2.62
YHE36B21H	YP9C100C16MP12	21.0	CF/CM/CU48D	1150	34.2	24.2	15.25	12.50	33.4	19.5	8.55	7.43	3.66	2.62
YHE36B21H	YP9C100C20MP12	21.0	CF/CM/CU48C	1200	34.0	24.0	14.75	12.25	33.6	19.7	8.55	7.43	3.60	2.56
YHE36B21H	YP9C100C20MP12	21.0	CF/CM/CU48D	1250	34.4	25.2	15.00	12.50	34.0	19.8	8.55	7.43	3.66	2.58
YHE36B21H	YP9C120D20MP12	24.5	CF/CM/CU48D	1250	34.4	25.2	15.00	12.50	33.8	19.7	8.55	7.43	3.68	2.60
YHE36B21H	YPLC080C16MP12	21.0	CF/CM/CU48C	1150	34.2	24.2	15.00	12.50	33.6	19.6	8.55	7.43	3.62	2.60
YHE36B21H	YPLC100C16MP12	21.0	CF/CM/CU48C	1150	34.2	24.2	15.00	12.50	33.6	19.6	8.55	7.43	3.62	2.60
YHE36B21H	YPLC100C20MP12	21.0	CF/CM/CU48D	1225	34.0	24.2	14.75	12.25	33.6	19.6	8.55	7.43	3.62	2.58
YHE36B21H	YPLC120C20MP12	21.0	CF/CM/CU48D	1225	34.0	24.2	14.75	12.25	33.6	19.6	8.55	7.43	3.62	2.58
YHE42B21H	TM8V080C16MP11	21.0	CF/CM/CU48D	1300	42.0	28.2	14.25	12.25	40.5	24.6	8.55	7.43	3.60	2.66
YHE42B21H	TM8V080C16MP11	21.0	CF/CM/CU60D	1325	42.0	28.0	14.50	12.25	40.5	24.6	8.55	7.43	3.60	2.64
YHE42B21H	TM8V100C16MP11	21.0	CF/CM/CU48D	1300	42.0	28.2	14.25	12.25	40.5	24.6	8.55	7.43	3.60	2.66
YHE42B21H	TM8V100C16MP11	21.0	CF/CM/CU60D	1325	42.0	28.0	14.50	12.25	40.5	24.6	8.55	7.43	3.60	2.64
YHE42B21H	TM8V100C20MP11	21.0	CF/CM/CU48C	1250	42.0	28.4	14.50	12.25	40.5	24.4	8.55	7.43	3.62	2.68
YHE42B21H	TM8V100C20MP11	21.0	CF/CM/CU48D	1225	42.0	28.4	14.50	12.50	40.5	24.4	8.55	7.43	3.64	2.68
YHE42B21H	TM8V100C20MP11	21.0	CF/CM/CU60C	1225	42.0	28.0	14.50	12.50	40.5	24.4	8.55	7.43	3.62	2.66
YHE42B21H	TM8V100C20MP11	21.0	CF/CM/CU60D	1225	42.0	28.0	14.50	12.50	40.5	24.4	8.55	7.43	3.62	2.66
YHE42B21H	TM8V120C20MP11	21.0	CF/CM/CU48C	1250	42.0	28.4	14.50	12.25	40.5	24.4	8.55	7.43	3.62	2.68
YHE42B21H	TM8V120C20MP11	21.0	CF/CM/CU48D	1225	42.0	28.4	14.50	12.50	40.5	24.4	8.55	7.43	3.64	2.68
YHE42B21H	TM8V120C20MP11	21.0	CF/CM/CU60C	1225	42.0	28.0	14.50	12.50	40.5	24.4	8.55	7.43	3.62	2.66
YHE42B21H	TM8V120C20MP11	21.0	CF/CM/CU60D	1225	42.0	28.0	14.50	12.50	40.5	24.4	8.55	7.43	3.62	2.66
YHE42B21H	TM8X080C16MP11	21.0	CF/CM/CU48C	1200	42.0	27.8	14.50	12.50	40.5	24.2	8.55	7.43	3.60	2.68

Continued on next page.

**SYSTEM CAPACITY - With High Efficiency Motor Furnaces<sup>1</sup>**

UNIT MODEL	FURNACE		COIL MODEL	COOLING					HEATING					
	MODEL	WIDTH		RATED CFM	NET MBH		SEER	EER	NET MBH		HSPF Region IV	HSPF Region V	COP	
					TOTAL	SENS.			47°F OD	17°F OD			47°F OD	17°F OD
YHE42B21H	TM8X080C16MP11	21.0	CF/CM/CU48D	1200	42.0	27.8	14.50	12.50	40.5	24.4	8.55	7.43	3.60	2.68
YHE42B21H	TM8X080C16MP11	21.0	CF/CM/CU60C	1200	42.0	27.8	14.75	12.50	40.0	24.2	8.55	7.43	3.58	2.66
YHE42B21H	TM8X080C16MP11	21.0	CF/CM/CU60D	1225	42.0	28.2	14.75	12.75	40.5	24.2	8.55	7.43	3.64	2.68
YHE42B21H	TM8X100C16MP11	21.0	CF/CM/CU48C	1200	42.0	27.8	14.50	12.50	40.5	24.2	8.55	7.43	3.60	2.68
YHE42B21H	TM8X100C16MP11	21.0	CF/CM/CU48D	1200	42.0	27.8	14.50	12.50	40.5	24.4	8.55	7.43	3.60	2.68
YHE42B21H	TM8X100C16MP11	21.0	CF/CM/CU60C	1200	42.0	27.8	14.75	12.50	40.0	24.2	8.55	7.43	3.58	2.66
YHE42B21H	TM8X100C16MP11	21.0	CF/CM/CU60D	1225	42.0	28.2	14.75	12.75	40.5	24.2	8.55	7.43	3.64	2.68
YHE42B21H	TM8X100C20MP11	21.0	CF/CM/CU48C	1275	42.0	28.4	14.50	12.50	40.5	24.4	8.55	7.43	3.64	2.70
YHE42B21H	TM8X100C20MP11	21.0	CF/CM/CU48D	1275	42.0	28.4	14.75	12.50	40.5	24.4	8.55	7.43	3.66	2.70
YHE42B21H	TM8X100C20MP11	21.0	CF/CM/CU60C	1275	42.0	28.2	14.75	12.75	40.5	24.4	8.55	7.43	3.64	2.68
YHE42B21H	TM8X100C20MP11	21.0	CF/CM/CU60D	1275	42.0	28.2	14.75	12.75	40.5	24.2	8.55	7.43	3.64	2.68
YHE42B21H	TM8X120C20MP11	21.0	CF/CM/CU48C	1275	42.0	28.4	14.50	12.50	40.5	24.4	8.55	7.43	3.64	2.70
YHE42B21H	TM8X120C20MP11	21.0	CF/CM/CU48D	1275	42.0	28.4	14.75	12.50	40.5	24.4	8.55	7.43	3.66	2.70
YHE42B21H	TM8X120C20MP11	21.0	CF/CM/CU60C	1275	42.0	28.2	14.75	12.75	40.5	24.4	8.55	7.43	3.64	2.68
YHE42B21H	TM8X120C20MP11	21.0	CF/CM/CU60D	1275	42.0	28.2	14.75	12.75	40.5	24.2	8.55	7.43	3.64	2.68
YHE42B21H	TM8Y080C16MP11	21.0	CF/CM/CU48C	1200	42.0	27.8	14.50	12.50	40.5	24.2	8.55	7.43	3.60	2.68
YHE42B21H	TM8Y080C16MP11	21.0	CF/CM/CU48D	1200	42.0	27.8	14.50	12.50	40.5	24.4	8.55	7.43	3.60	2.68
YHE42B21H	TM8Y080C16MP11	21.0	CF/CM/CU60C	1200	42.0	27.8	14.75	12.50	40.0	24.2	8.55	7.43	3.58	2.66
YHE42B21H	TM8Y080C16MP11	21.0	CF/CM/CU60D	1225	42.0	28.2	14.75	12.75	40.5	24.2	8.55	7.43	3.64	2.68
YHE42B21H	TM8Y100C16MP11	21.0	CF/CM/CU48C	1200	42.0	27.8	14.50	12.50	40.5	24.2	8.55	7.43	3.60	2.68
YHE42B21H	TM8Y100C16MP11	21.0	CF/CM/CU48D	1200	42.0	27.8	14.50	12.50	40.5	24.4	8.55	7.43	3.60	2.68
YHE42B21H	TM8Y100C16MP11	21.0	CF/CM/CU60C	1200	42.0	27.8	14.75	12.50	40.0	24.2	8.55	7.43	3.58	2.66
YHE42B21H	TM8Y100C16MP11	21.0	CF/CM/CU60D	1225	42.0	28.2	14.75	12.75	40.5	24.2	8.55	7.43	3.64	2.68
YHE42B21H	TM8Y100C20MP11	21.0	CF/CM/CU48C	1275	42.0	28.4	14.50	12.50	40.5	24.4	8.55	7.43	3.64	2.70
YHE42B21H	TM8Y100C20MP11	21.0	CF/CM/CU48D	1275	42.0	28.4	14.75	12.50	40.5	24.4	8.55	7.43	3.66	2.70
YHE42B21H	TM8Y100C20MP11	21.0	CF/CM/CU60C	1275	42.0	28.2	14.75	12.75	40.5	24.4	8.55	7.43	3.64	2.68
YHE42B21H	TM8Y100C20MP11	21.0	CF/CM/CU60D	1275	42.0	28.2	14.75	12.75	40.5	24.2	8.55	7.43	3.64	2.68
YHE42B21H	TM8Y120C20MP11	21.0	CF/CM/CU48C	1275	42.0	28.4	14.50	12.50	40.5	24.4	8.55	7.43	3.64	2.70
YHE42B21H	TM8Y120C20MP11	21.0	CF/CM/CU48D	1275	42.0	28.4	14.75	12.50	40.5	24.4	8.55	7.43	3.66	2.70
YHE42B21H	TM8Y120C20MP11	21.0	CF/CM/CU60C	1275	42.0	28.2	14.75	12.75	40.5	24.4	8.55	7.43	3.64	2.68
YHE42B21H	TM8Y120C20MP11	21.0	CF/CM/CU60D	1275	42.0	28.2	14.75	12.75	40.5	24.2	8.55	7.43	3.64	2.68
YHE42B21H	TM9E080C16MP11	21.0	CF/CM/CU48C	1200	42.0	27.8	14.25	12.25	40.5	24.4	8.55	7.43	3.58	2.66
YHE42B21H	TM9E080C16MP11	21.0	CF/CM/CU48D	1225	42.0	28.4	14.50	12.50	40.5	24.4	8.55	7.43	3.62	2.68
YHE42B21H	TM9E080C16MP11	21.0	CF/CM/CU60D	1200	42.0	27.8	14.50	12.50	40.5	24.2	8.55	7.43	3.56	2.64
YHE42B21H	TM9E100C16MP11	21.0	CF/CM/CU48C	1200	42.0	27.8	14.25	12.25	40.5	24.4	8.55	7.43	3.58	2.66
YHE42B21H	TM9E100C16MP11	21.0	CF/CM/CU48D	1225	42.0	28.4	14.50	12.50	40.5	24.4	8.55	7.43	3.62	2.68
YHE42B21H	TM9E100C16MP11	21.0	CF/CM/CU60D	1200	42.0	27.8	14.50	12.50	40.5	24.2	8.55	7.43	3.56	2.64

Continued on next page.



**SYSTEM CAPACITY - With High Efficiency Motor Furnaces<sup>1</sup>**

UNIT MODEL	FURNACE		COIL MODEL	COOLING					HEATING					
	MODEL	WIDTH		RATED CFM	NET MBH		SEER	EER	NET MBH		HSPF Region IV	HSPF Region V	COP	
					TOTAL	SENS.			47°F OD	17°F OD			47°F OD	17°F OD
YHE42B21H	TM9E100C20MP11	21.0	CF/CM/CU48C	1225	42.0	28.4	14.50	12.50	40.5	24.4	8.55	7.43	3.64	2.68
YHE42B21H	TM9E100C20MP11	21.0	CF/CM/CU48D	1225	42.0	28.4	14.50	12.50	40.5	24.4	8.55	7.43	3.64	2.68
YHE42B21H	TM9E100C20MP11	21.0	CF/CM/CU60C	1225	42.0	28.2	14.75	12.50	40.5	24.4	8.55	7.43	3.62	2.68
YHE42B21H	TM9E100C20MP11	21.0	CF/CM/CU60D	1250	42.0	28.2	14.75	12.50	40.5	24.4	8.55	7.43	3.64	2.68
YHE42B21H	TM9E120D20MP11	24.5	CF/CM/CU48D	1250	42.0	28.4	14.75	12.50	40.5	24.4	8.55	7.43	3.66	2.70
YHE42B21H	TM9E120D20MP11	24.5	CF/CM/CU60D	1225	42.0	28.2	14.75	12.75	40.5	24.2	8.55	7.43	3.64	2.68
YHE42B21H	TM9V080C16MP11	21.0	CF/CM/CU48C	1275	42.0	28.2	14.25	12.25	40.5	24.6	8.55	7.43	3.60	2.66
YHE42B21H	TM9V080C16MP11	21.0	CF/CM/CU60C	1200	42.0	27.8	14.75	12.50	40.0	24.2	8.55	7.43	3.60	2.68
YHE42B21H	TM9V080C16MP11	21.0	CF/CM/CU60D	1425	42.0	29.4	14.25	12.25	41.5	24.8	8.55	7.43	3.62	2.62
YHE42B21H	TM9V100C16MP11	21.0	CF/CM/CU48C	1275	42.0	28.2	14.25	12.25	40.5	24.6	8.55	7.43	3.60	2.66
YHE42B21H	TM9V100C16MP11	21.0	CF/CM/CU60C	1200	42.0	27.8	14.75	12.50	40.0	24.2	8.55	7.43	3.60	2.68
YHE42B21H	TM9V100C16MP11	21.0	CF/CM/CU60D	1425	42.0	29.4	14.25	12.25	41.5	24.8	8.55	7.43	3.62	2.62
YHE42B21H	TM9V100C20MP11	21.0	CF/CM/CU48C	1200	42.0	27.8	14.25	12.25	40.5	24.4	8.55	7.43	3.58	2.66
YHE42B21H	TM9V100C20MP11	21.0	CF/CM/CU60C	1175	42.0	27.8	14.25	12.25	40.0	24.2	8.55	7.43	3.54	2.64
YHE42B21H	TM9V120D20MP11	24.5	CF/CM/CU48D	1250	42.0	28.4	14.50	12.50	40.5	24.4	8.55	7.43	3.64	2.68
YHE42B21H	TM9V120D20MP11	24.5	CF/CM/CU60D	1250	42.0	28.2	14.75	12.50	40.5	24.4	8.55	7.43	3.64	2.68
YHE42B21H	TM9Y080C16MP11	21.0	CF/CM/CU48C	1200	42.0	27.8	14.25	12.25	40.5	24.4	8.55	7.43	3.58	2.66
YHE42B21H	TM9Y080C16MP11	21.0	CF/CM/CU48D	1225	42.0	28.4	14.50	12.50	40.5	24.4	8.55	7.43	3.62	2.68
YHE42B21H	TM9Y080C16MP11	21.0	CF/CM/CU60D	1200	42.0	27.8	14.50	12.50	40.5	24.2	8.55	7.43	3.56	2.64
YHE42B21H	TM9Y100C16MP11	21.0	CF/CM/CU48C	1200	42.0	27.8	14.25	12.25	40.5	24.4	8.55	7.43	3.58	2.66
YHE42B21H	TM9Y100C16MP11	21.0	CF/CM/CU48D	1225	42.0	28.4	14.50	12.50	40.5	24.4	8.55	7.43	3.62	2.68
YHE42B21H	TM9Y100C16MP11	21.0	CF/CM/CU60D	1200	42.0	27.8	14.50	12.50	40.5	24.2	8.55	7.43	3.56	2.64
YHE42B21H	TM9Y100C20MP11	21.0	CF/CM/CU48C	1225	42.0	28.4	14.50	12.50	40.5	24.4	8.55	7.43	3.64	2.68
YHE42B21H	TM9Y100C20MP11	21.0	CF/CM/CU48D	1225	42.0	28.4	14.50	12.50	40.5	24.4	8.55	7.43	3.64	2.68
YHE42B21H	TM9Y100C20MP11	21.0	CF/CM/CU60C	1225	42.0	28.2	14.75	12.50	40.5	24.4	8.55	7.43	3.62	2.68
YHE42B21H	TM9Y100C20MP11	21.0	CF/CM/CU60D	1250	42.0	28.2	14.75	12.50	40.5	24.4	8.55	7.43	3.64	2.68
YHE42B21H	TM9Y120D20MP11	24.5	CF/CM/CU48D	1250	42.0	28.4	14.75	12.50	40.5	24.4	8.55	7.43	3.66	2.70
YHE42B21H	TM9Y120D20MP11	24.5	CF/CM/CU60D	1225	42.0	28.2	14.75	12.75	40.5	24.2	8.55	7.43	3.64	2.68
YHE42B21H	TMLV080C16MP11	21.0	CF/CM/CU48D	1300	42.0	28.2	14.25	12.25	40.5	24.6	8.55	7.43	3.60	2.66
YHE42B21H	TMLV080C16MP11	21.0	CF/CM/CU60D	1325	42.0	28.0	14.50	12.25	40.5	24.6	8.55	7.43	3.60	2.64
YHE42B21H	TMLV100C16MP11	21.0	CF/CM/CU48D	1300	42.0	28.2	14.25	12.25	40.5	24.6	8.55	7.43	3.60	2.66
YHE42B21H	TMLV100C16MP11	21.0	CF/CM/CU60D	1325	42.0	28.0	14.50	12.25	40.5	24.6	8.55	7.43	3.60	2.64
YHE42B21H	TMLV100C20MP11	21.0	CF/CM/CU48C	1250	42.0	28.4	14.50	12.25	40.5	24.4	8.55	7.43	3.62	2.68
YHE42B21H	TMLV100C20MP11	21.0	CF/CM/CU48D	1225	42.0	28.4	14.50	12.50	40.5	24.4	8.55	7.43	3.64	2.68
YHE42B21H	TMLV100C20MP11	21.0	CF/CM/CU60C	1225	42.0	28.0	14.50	12.50	40.5	24.4	8.55	7.43	3.62	2.66
YHE42B21H	TMLV100C20MP11	21.0	CF/CM/CU60D	1225	42.0	28.0	14.50	12.50	40.5	24.4	8.55	7.43	3.62	2.66
YHE42B21H	TMLV120C20MP11	21.0	CF/CM/CU48C	1250	42.0	28.4	14.50	12.25	40.5	24.4	8.55	7.43	3.62	2.68

Continued on next page.

SYSTEM CAPACITY - With High Efficiency Motor Furnaces<sup>1</sup>

UNIT MODEL	FURNACE		COIL MODEL	COOLING					HEATING					
	MODEL	WIDTH		RATED CFM	NET MBH		SEER	EER	NET MBH		HSPF Region IV	HSPF Region V	COP	
					TOTAL	SENS.			47°F OD	17°F OD			47°F OD	17°F OD
YHE42B21H	TMLV120C20MP11	21.0	CF/CM/CU48D	1225	42.0	28.4	14.50	12.50	40.5	24.4	8.55	7.43	3.64	2.68
YHE42B21H	TMLV120C20MP11	21.0	CF/CM/CU60C	1225	42.0	28.0	14.50	12.50	40.5	24.4	8.55	7.43	3.62	2.66
YHE42B21H	TMLV120C20MP11	21.0	CF/CM/CU60D	1225	42.0	28.0	14.50	12.50	40.5	24.4	8.55	7.43	3.62	2.66
YHE42B21H	TMLX080C16MP11	21.0	CF/CM/CU48C	1200	42.0	27.8	14.50	12.50	40.5	24.2	8.55	7.43	3.60	2.68
YHE42B21H	TMLX080C16MP11	21.0	CF/CM/CU48D	1200	42.0	27.8	14.50	12.50	40.5	24.4	8.55	7.43	3.60	2.68
YHE42B21H	TMLX080C16MP11	21.0	CF/CM/CU60C	1200	42.0	27.8	14.75	12.50	40.0	24.2	8.55	7.43	3.58	2.66
YHE42B21H	TMLX080C16MP11	21.0	CF/CM/CU60D	1225	42.0	28.2	14.75	12.75	40.5	24.2	8.55	7.43	3.64	2.68
YHE42B21H	TMLX100C16MP11	21.0	CF/CM/CU48C	1200	42.0	27.8	14.50	12.50	40.5	24.2	8.55	7.43	3.60	2.68
YHE42B21H	TMLX100C16MP11	21.0	CF/CM/CU48D	1200	42.0	27.8	14.50	12.50	40.5	24.4	8.55	7.43	3.60	2.68
YHE42B21H	TMLX100C16MP11	21.0	CF/CM/CU60C	1200	42.0	27.8	14.75	12.50	40.0	24.2	8.55	7.43	3.58	2.66
YHE42B21H	TMLX100C16MP11	21.0	CF/CM/CU60D	1225	42.0	28.2	14.75	12.75	40.5	24.2	8.55	7.43	3.64	2.68
YHE42B21H	TMLX100C20MP11	21.0	CF/CM/CU48C	1275	42.0	28.4	14.50	12.50	40.5	24.4	8.55	7.43	3.64	2.70
YHE42B21H	TMLX100C20MP11	21.0	CF/CM/CU48D	1275	42.0	28.4	14.75	12.50	40.5	24.4	8.55	7.43	3.66	2.70
YHE42B21H	TMLX100C20MP11	21.0	CF/CM/CU60C	1275	42.0	28.2	14.75	12.75	40.5	24.4	8.55	7.43	3.64	2.68
YHE42B21H	TMLX100C20MP11	21.0	CF/CM/CU60D	1275	42.0	28.2	14.75	12.75	40.5	24.2	8.55	7.43	3.64	2.68
YHE42B21H	TMLX120C20MP11	21.0	CF/CM/CU48C	1275	42.0	28.4	14.50	12.50	40.5	24.4	8.55	7.43	3.64	2.70
YHE42B21H	TMLX120C20MP11	21.0	CF/CM/CU48D	1275	42.0	28.4	14.75	12.50	40.5	24.4	8.55	7.43	3.66	2.70
YHE42B21H	TMLX120C20MP11	21.0	CF/CM/CU60C	1275	42.0	28.2	14.75	12.75	40.5	24.4	8.55	7.43	3.64	2.68
YHE42B21H	TMLX120C20MP11	21.0	CF/CM/CU60D	1275	42.0	28.2	14.75	12.75	40.5	24.2	8.55	7.43	3.64	2.68
YHE42B21H	TP9C080C16MP12	21.0	CF/CM/CU48C	1275	42.0	28.2	14.25	12.25	40.5	24.6	8.55	7.43	3.60	2.66
YHE42B21H	TP9C080C16MP12	21.0	CF/CM/CU60C	1200	42.0	27.8	14.75	12.50	40.0	24.2	8.55	7.43	3.60	2.68
YHE42B21H	TP9C080C16MP12	21.0	CF/CM/CU60D	1425	42.0	29.4	14.25	12.25	41.5	24.8	8.55	7.43	3.62	2.62
YHE42B21H	TP9C100C16MP12	21.0	CF/CM/CU48C	1275	42.0	28.2	14.25	12.25	40.5	24.6	8.55	7.43	3.60	2.66
YHE42B21H	TP9C100C16MP12	21.0	CF/CM/CU60C	1200	42.0	27.8	14.75	12.50	40.0	24.2	8.55	7.43	3.60	2.68
YHE42B21H	TP9C100C16MP12	21.0	CF/CM/CU60D	1425	42.0	29.4	14.25	12.25	41.5	24.8	8.55	7.43	3.62	2.62
YHE42B21H	TP9C100C20MP12	21.0	CF/CM/CU48C	1200	42.0	27.8	14.25	12.25	40.5	24.4	8.55	7.43	3.58	2.66
YHE42B21H	TP9C100C20MP12	21.0	CF/CM/CU60C	1175	42.0	27.8	14.25	12.25	40.0	24.2	8.55	7.43	3.54	2.64
YHE42B21H	TP9C120D20MP12	24.5	CF/CM/CU48D	1250	42.0	28.4	14.50	12.50	40.5	24.4	8.55	7.43	3.64	2.68
YHE42B21H	TP9C120D20MP12	24.5	CF/CM/CU60D	1250	42.0	28.2	14.75	12.50	40.5	24.4	8.55	7.43	3.64	2.68
YHE42B21H	TPLC080C16MP12	21.0	CF/CM/CU48D	1300	42.0	28.2	14.25	12.25	40.5	24.6	8.55	7.43	3.60	2.66
YHE42B21H	TPLC080C16MP12	21.0	CF/CM/CU60D	1325	42.0	28.0	14.50	12.25	40.5	24.6	8.55	7.43	3.60	2.64
YHE42B21H	TPLC100C16MP12	21.0	CF/CM/CU48D	1300	42.0	28.2	14.25	12.25	40.5	24.6	8.55	7.43	3.60	2.66
YHE42B21H	TPLC100C16MP12	21.0	CF/CM/CU60D	1325	42.0	28.0	14.50	12.25	40.5	24.6	8.55	7.43	3.60	2.64
YHE42B21H	TPLC100C20MP12	21.0	CF/CM/CU48C	1250	42.0	28.4	14.50	12.25	40.5	24.4	8.55	7.43	3.62	2.68
YHE42B21H	TPLC100C20MP12	21.0	CF/CM/CU48D	1225	42.0	28.4	14.50	12.50	40.5	24.4	8.55	7.43	3.64	2.68
YHE42B21H	TPLC100C20MP12	21.0	CF/CM/CU60C	1225	42.0	28.0	14.50	12.50	40.5	24.4	8.55	7.43	3.62	2.66
YHE42B21H	TPLC100C20MP12	21.0	CF/CM/CU60D	1225	42.0	28.0	14.50	12.50	40.5	24.4	8.55	7.43	3.62	2.66

Continued on next page.

**SYSTEM CAPACITY - With High Efficiency Motor Furnaces<sup>1</sup>**

UNIT MODEL	FURNACE		COIL MODEL	COOLING					HEATING					
	MODEL	WIDTH		RATED CFM	NET MBH		SEER	EER	NET MBH		HSPF Region IV	HSPF Region V	COP	
					TOTAL	SENS.			47°F OD	17°F OD			47°F OD	17°F OD
YHE42B21H	TPLC120C20MP12	21.0	CF/CM/CU48C	1250	42.0	28.4	14.50	12.25	40.5	24.4	8.55	7.43	3.62	2.68
YHE42B21H	TPLC120C20MP12	21.0	CF/CM/CU48D	1225	42.0	28.4	14.50	12.50	40.5	24.4	8.55	7.43	3.64	2.68
YHE42B21H	TPLC120C20MP12	21.0	CF/CM/CU60C	1225	42.0	28.0	14.50	12.50	40.5	24.4	8.55	7.43	3.62	2.66
YHE42B21H	TPLC120C20MP12	21.0	CF/CM/CU60D	1225	42.0	28.0	14.50	12.50	40.5	24.4	8.55	7.43	3.62	2.66
YHE42B21H	YP9C080C16MP12	21.0	CF/CM/CU48C	1275	42.0	28.2	14.25	12.25	40.5	24.6	8.55	7.43	3.60	2.66
YHE42B21H	YP9C080C16MP12	21.0	CF/CM/CU60C	1200	42.0	27.8	14.75	12.50	40.0	24.2	8.55	7.43	3.60	2.68
YHE42B21H	YP9C080C16MP12	21.0	CF/CM/CU60D	1425	42.0	29.4	14.25	12.25	41.5	24.8	8.55	7.43	3.62	2.62
YHE42B21H	YP9C100C16MP12	21.0	CF/CM/CU48C	1275	42.0	28.2	14.25	12.25	40.5	24.6	8.55	7.43	3.60	2.66
YHE42B21H	YP9C100C16MP12	21.0	CF/CM/CU60C	1200	42.0	27.8	14.75	12.50	40.0	24.2	8.55	7.43	3.60	2.68
YHE42B21H	YP9C100C16MP12	21.0	CF/CM/CU60D	1425	42.0	29.4	14.25	12.25	41.5	24.8	8.55	7.43	3.62	2.62
YHE42B21H	YP9C100C20MP12	21.0	CF/CM/CU48C	1200	42.0	27.8	14.25	12.25	40.5	24.4	8.55	7.43	3.58	2.66
YHE42B21H	YP9C100C20MP12	21.0	CF/CM/CU60C	1175	42.0	27.8	14.25	12.25	40.0	24.2	8.55	7.43	3.54	2.64
YHE42B21H	YP9C120D20MP12	24.5	CF/CM/CU48D	1250	42.0	28.4	14.50	12.50	40.5	24.4	8.55	7.43	3.64	2.68
YHE42B21H	YP9C120D20MP12	24.5	CF/CM/CU60D	1250	42.0	28.2	14.75	12.50	40.5	24.4	8.55	7.43	3.64	2.68
YHE42B21H	YPLC080C16MP12	21.0	CF/CM/CU48D	1300	42.0	28.2	14.25	12.25	40.5	24.6	8.55	7.43	3.60	2.66
YHE42B21H	YPLC080C16MP12	21.0	CF/CM/CU60D	1325	42.0	28.0	14.50	12.25	40.5	24.6	8.55	7.43	3.60	2.64
YHE42B21H	YPLC100C16MP12	21.0	CF/CM/CU48D	1300	42.0	28.2	14.25	12.25	40.5	24.6	8.55	7.43	3.60	2.66
YHE42B21H	YPLC100C16MP12	21.0	CF/CM/CU60D	1325	42.0	28.0	14.50	12.25	40.5	24.6	8.55	7.43	3.60	2.64
YHE42B21H	YPLC100C20MP12	21.0	CF/CM/CU48C	1250	42.0	28.4	14.50	12.25	40.5	24.4	8.55	7.43	3.62	2.68
YHE42B21H	YPLC100C20MP12	21.0	CF/CM/CU48D	1225	42.0	28.4	14.50	12.50	40.5	24.4	8.55	7.43	3.64	2.68
YHE42B21H	YPLC100C20MP12	21.0	CF/CM/CU60C	1225	42.0	28.0	14.50	12.50	40.5	24.4	8.55	7.43	3.62	2.66
YHE42B21H	YPLC100C20MP12	21.0	CF/CM/CU60D	1225	42.0	28.0	14.50	12.50	40.5	24.4	8.55	7.43	3.62	2.66
YHE42B21H	YPLC120C20MP12	21.0	CF/CM/CU48C	1250	42.0	28.4	14.50	12.25	40.5	24.4	8.55	7.43	3.62	2.68
YHE42B21H	YPLC120C20MP12	21.0	CF/CM/CU48D	1225	42.0	28.4	14.50	12.50	40.5	24.4	8.55	7.43	3.64	2.68
YHE42B21H	YPLC120C20MP12	21.0	CF/CM/CU60C	1225	42.0	28.0	14.50	12.50	40.5	24.4	8.55	7.43	3.62	2.66
YHE42B21H	YPLC120C20MP12	21.0	CF/CM/CU60D	1225	42.0	28.0	14.50	12.50	40.5	24.4	8.55	7.43	3.62	2.66
YHE48B21S	TM8V100C16MP11	21.0	CF/CM/CU48C	1325	45.5	30.8	14.00	11.75	47.5	31.4	9.00	7.83	3.50	2.6
YHE48B21S	TM8V100C16MP11	21.0	CF/CM/CU48D	1300	45.5	30.6	14.25	11.75	47.5	31.4	9.00	7.83	3.50	2.6
YHE48B21S	TM8V100C16MP11	21.0	CF/CM/CU60C	1325	46.5	31.2	14.50	12.00	47.5	31.2	9.00	7.83	3.50	2.58
YHE48B21S	TM8V120C20MP11	21.0	CF/CM/CU48C	1300	45.5	30.6	14.00	11.75	47.5	31.4	9.00	7.83	3.50	2.6
YHE48B21S	TM8V120C20MP11	21.0	CF/CM/CU60C	1400	46.5	32.0	14.25	12.00	48.0	31.4	9.00	7.83	3.54	2.6
YHE48B21S	TM8V120C20MP11	21.0	CF/CM/CU60D	1350	46.5	32.0	14.25	12.00	47.5	31.4	9.00	7.83	3.56	2.6
YHE48B21S	TM8X100C16MP11	21.0	CF/CM/CU48C	1400	46.0	31.6	14.00	11.75	48.0	31.6	9.00	7.83	3.54	2.62
YHE48B21S	TM8X100C16MP11	21.0	CF/CM/CU48D	1400	46.0	31.6	14.00	11.75	48.0	31.6	9.00	7.83	3.54	2.6
YHE48B21S	TM8X100C16MP11	21.0	CF/CM/CU60C	1400	46.5	32.0	14.25	12.00	48.0	31.4	9.00	7.83	3.54	2.6
YHE48B21S	TM8X100C16MP11	21.0	CF/CM/CU60D	1400	46.5	32.0	14.25	12.00	48.0	31.4	9.00	7.83	3.54	2.6
YHE48B21S	TM8X120C20MP11	21.0	CF/CM/CU48C	1400	46.0	31.8	14.00	11.75	48.0	31.6	9.00	7.83	3.56	2.62

Continued on next page.

SYSTEM CAPACITY - With High Efficiency Motor Furnaces<sup>1</sup>

UNIT MODEL	FURNACE		COIL MODEL	COOLING					HEATING					
	MODEL	WIDTH		RATED CFM	NET MBH		SEER	EER	NET MBH		HSPF Region IV	HSPF Region V	COP	
					TOTAL	SENS.			47°F OD	17°F OD			47°F OD	17°F OD
YHE48B21S	TM8X120C20MP11	21.0	CF/CM/CU48D	1400	46.0	31.8	14.00	11.75	48.0	31.6	9.00	7.83	3.56	2.62
YHE48B21S	TM8X120C20MP11	21.0	CF/CM/CU60C	1400	46.5	32.0	14.25	12.00	47.5	31.4	9.00	7.83	3.54	2.6
YHE48B21S	TM8X120C20MP11	21.0	CF/CM/CU60D	1400	46.5	32.0	14.25	12.00	47.5	31.4	9.00	7.83	3.54	2.6
YHE48B21S	TM9E100C16MP11	21.0	CF/CM/CU48C	1325	45.5	30.8	14.00	11.75	47.5	31.6	9.00	7.83	3.48	2.58
YHE48B21S	TM9E100C16MP11	21.0	CF/CM/CU60C	1325	46.0	31.0	14.25	11.75	47.5	31.4	9.00	7.83	3.48	2.56
YHE48B21S	TM9E100C16MP11	21.0	CF/CM/CU60D	1325	46.0	31.0	14.25	11.75	47.5	31.4	9.00	7.83	3.48	2.58
YHE48B21S	TM9E100C20MP11	21.0	CF/CM/CU48C	1400	46.0	31.8	14.00	11.75	48.0	31.6	9.00	7.83	3.54	2.62
YHE48B21S	TM9E100C20MP11	21.0	CF/CM/CU48D	1400	46.0	31.6	14.00	11.75	48.0	31.6	9.00	7.83	3.54	2.62
YHE48B21S	TM9E100C20MP11	21.0	CF/CM/CU60C	1400	46.5	32.0	14.25	12.00	47.5	31.4	9.00	7.83	3.54	2.6
YHE48B21S	TM9E100C20MP11	21.0	CF/CM/CU60D	1400	46.5	32.0	14.25	12.00	47.5	31.4	9.00	7.83	3.54	2.6
YHE48B21S	TM9E120D20MP11	24.5	CF/CM/CU48D	1400	46.0	31.8	14.25	11.75	48.0	31.6	9.00	7.83	3.56	2.62
YHE48B21S	TM9E120D20MP11	24.5	CF/CM/CU60D	1400	47.0	32.2	14.50	12.00	47.5	31.4	9.00	7.83	3.56	2.62
YHE48B21S	TM9V100C16MP11	21.0	CF/CM/CU48C	1425	46.0	31.6	14.00	11.75	48.0	31.8	9.00	7.83	3.52	2.6
YHE48B21S	TM9V100C16MP11	21.0	CF/CM/CU48D	1425	46.0	31.8	14.25	12.00	47.5	31.4	9.00	7.83	3.58	2.64
YHE48B21S	TM9V100C16MP11	21.0	CF/CM/CU60C	1450	46.5	32.0	14.00	11.75	48.0	31.6	8.75	7.61	3.50	2.56
YHE48B21S	TM9V100C20MP11	21.0	CF/CM/CU48C	1275	45.5	30.2	14.00	11.75	47.5	31.4	9.00	7.83	3.46	2.58
YHE48B21S	TM9V100C20MP11	21.0	CF/CM/CU48D	1300	45.5	30.6	14.25	11.75	47.5	31.4	9.00	7.83	3.50	2.6
YHE48B21S	TM9V100C20MP11	21.0	CF/CM/CU60C	1450	46.5	31.8	14.00	11.75	48.0	31.6	8.75	7.61	3.50	2.56
YHE48B21S	TM9V120D20MP11	24.5	CF/CM/CU60D	1425	46.5	32.2	14.25	12.00	47.5	31.4	9.00	7.83	3.56	2.6
YHE48B21S	TMLV100C16MP11	21.0	CF/CM/CU48C	1325	45.5	30.8	14.00	11.75	47.5	31.4	9.00	7.83	3.50	2.6
YHE48B21S	TMLV100C16MP11	21.0	CF/CM/CU48D	1300	45.5	30.6	14.25	11.75	47.5	31.4	9.00	7.83	3.50	2.6
YHE48B21S	TMLV100C16MP11	21.0	CF/CM/CU60C	1325	46.5	31.2	14.50	12.00	47.5	31.2	9.00	7.83	3.50	2.58
YHE48B21S	TMLV120C20MP11	21.0	CF/CM/CU48C	1300	45.5	30.6	14.00	11.75	47.5	31.4	9.00	7.83	3.50	2.6
YHE48B21S	TMLV120C20MP11	21.0	CF/CM/CU60C	1400	46.5	32.0	14.25	12.00	48.0	31.4	9.00	7.83	3.54	2.6
YHE48B21S	TMLV120C20MP11	21.0	CF/CM/CU60D	1350	46.5	32.0	14.25	12.00	47.5	31.4	9.00	7.83	3.56	2.6
YHE48B21S	YPLC100C16MP11	21.0	CF/CM/CU48C	1325	45.5	30.8	14.00	11.75	47.5	31.4	9.00	7.83	3.50	2.6
YHE48B21S	YPLC100C16MP11	21.0	CF/CM/CU48D	1300	45.5	30.6	14.25	11.75	47.5	31.4	9.00	7.83	3.50	2.6
YHE48B21S	YPLC100C16MP11	21.0	CF/CM/CU60C	1325	46.5	31.2	14.50	12.00	47.5	31.2	9.00	7.83	3.50	2.58
YHE48B21S	YPLC120C20MP11	21.0	CF/CM/CU48C	1300	45.5	30.6	14.00	11.75	47.5	31.4	9.00	7.83	3.50	2.6
YHE48B21S	YPLC120C20MP11	21.0	CF/CM/CU60C	1400	46.5	32.0	14.25	12.00	48.0	31.4	9.00	7.83	3.54	2.6
YHE48B21S	YPLC120C20MP11	21.0	CF/CM/CU60D	1350	46.5	32.0	14.25	12.00	47.5	31.4	9.00	7.83	3.56	2.6
YHE48B21S	TPLC100C16MP11	21.0	CF/CM/CU48C	1325	45.5	30.8	14.00	11.75	47.5	31.4	9.00	7.83	3.50	2.6
YHE48B21S	TPLC100C16MP11	21.0	CF/CM/CU48D	1300	45.5	30.6	14.25	11.75	47.5	31.4	9.00	7.83	3.50	2.6
YHE48B21S	TPLC100C16MP11	21.0	CF/CM/CU60C	1325	46.5	31.2	14.50	12.00	47.5	31.2	9.00	7.83	3.50	2.58
YHE48B21S	TPLC120C20MP11	21.0	CF/CM/CU48C	1300	45.5	30.6	14.00	11.75	47.5	31.4	9.00	7.83	3.50	2.6
YHE48B21S	TPLC120C20MP11	21.0	CF/CM/CU60C	1400	46.5	32.0	14.25	12.00	48.0	31.4	9.00	7.83	3.54	2.6
YHE48B21S	TPLC120C20MP11	21.0	CF/CM/CU60D	1350	46.5	32.0	14.25	12.00	47.5	31.4	9.00	7.83	3.56	2.6

Continued on next page.

**SYSTEM CAPACITY - With High Efficiency Motor Furnaces<sup>1</sup>**

UNIT MODEL	FURNACE		COIL MODEL	COOLING					HEATING					
	MODEL	WIDTH		RATED CFM	NET MBH		SEER	EER	NET MBH		HSPF Region IV	HSPF Region V	COP	
					TOTAL	SENS.			47°F OD	17°F OD			47°F OD	17°F OD
YHE48B21S	TMLX100C16MP11	21.0	CF/CM/CU48C	1400	46.0	31.6	14.00	11.75	48.0	31.6	9.00	7.83	3.54	2.62
YHE48B21S	TMLX100C16MP11	21.0	CF/CM/CU48D	1400	46.0	31.6	14.00	11.75	48.0	31.6	9.00	7.83	3.54	2.6
YHE48B21S	TMLX100C16MP11	21.0	CF/CM/CU60C	1400	46.5	32.0	14.25	12.00	48.0	31.4	9.00	7.83	3.54	2.6
YHE48B21S	TMLX100C16MP11	21.0	CF/CM/CU60D	1400	46.5	32.0	14.25	12.00	48.0	31.4	9.00	7.83	3.54	2.6
YHE48B21S	TMLX120C20MP11	21.0	CF/CM/CU48C	1400	46.0	31.8	14.00	11.75	48.0	31.6	9.00	7.83	3.56	2.62
YHE48B21S	TMLX120C20MP11	21.0	CF/CM/CU48D	1400	46.0	31.8	14.00	11.75	48.0	31.6	9.00	7.83	3.56	2.62
YHE48B21S	TMLX120C20MP11	21.0	CF/CM/CU60C	1400	46.5	32.0	14.25	12.00	47.5	31.4	9.00	7.83	3.54	2.6
YHE48B21S	TMLX120C20MP11	21.0	CF/CM/CU60D	1400	46.5	32.0	14.25	12.00	47.5	31.4	9.00	7.83	3.54	2.6
YHE48B21S	TM8Y100C16MP11	21.0	CF/CM/CU48C	1400	46.0	31.6	14.00	11.75	48.0	31.6	9.00	7.83	3.54	2.62
YHE48B21S	TM8Y100C16MP11	21.0	CF/CM/CU48D	1400	46.0	31.6	14.00	11.75	48.0	31.6	9.00	7.83	3.54	2.6
YHE48B21S	TM8Y100C16MP11	21.0	CF/CM/CU60C	1400	46.5	32.0	14.25	12.00	48.0	31.4	9.00	7.83	3.54	2.6
YHE48B21S	TM8Y100C16MP11	21.0	CF/CM/CU60D	1400	46.5	32.0	14.25	12.00	48.0	31.4	9.00	7.83	3.54	2.6
YHE48B21S	TM8Y120C20MP11	21.0	CF/CM/CU48C	1400	46.0	31.8	14.00	11.75	48.0	31.6	9.00	7.83	3.56	2.62
YHE48B21S	TM8Y120C20MP11	21.0	CF/CM/CU48D	1400	46.0	31.8	14.00	11.75	48.0	31.6	9.00	7.83	3.56	2.62
YHE48B21S	TM8Y120C20MP11	21.0	CF/CM/CU60C	1400	46.5	32.0	14.25	12.00	47.5	31.4	9.00	7.83	3.54	2.6
YHE48B21S	TM8Y120C20MP11	21.0	CF/CM/CU60D	1400	46.5	32.0	14.25	12.00	47.5	31.4	9.00	7.83	3.54	2.6
YHE48B21S	TM9Y100C16MP11	21.0	CF/CM/CU48C	1325	45.5	30.8	14.00	11.75	47.5	31.6	9.00	7.83	3.48	2.58
YHE48B21S	TM9Y100C16MP11	21.0	CF/CM/CU60C	1325	46.0	31.0	14.25	11.75	47.5	31.4	9.00	7.83	3.48	2.56
YHE48B21S	TM9Y100C16MP11	21.0	CF/CM/CU60D	1325	46.0	31.0	14.25	11.75	47.5	31.4	9.00	7.83	3.48	2.58
YHE48B21S	TM9Y100C20MP11	21.0	CF/CM/CU48C	1400	46.0	31.8	14.00	11.75	48.0	31.6	9.00	7.83	3.54	2.62
YHE48B21S	TM9Y100C20MP11	21.0	CF/CM/CU48D	1400	46.0	31.6	14.00	11.75	48.0	31.6	9.00	7.83	3.54	2.62
YHE48B21S	TM9Y100C20MP11	21.0	CF/CM/CU60C	1400	46.5	32.0	14.25	12.00	47.5	31.4	9.00	7.83	3.54	2.6
YHE48B21S	TM9Y100C20MP11	21.0	CF/CM/CU60D	1400	46.5	32.0	14.25	12.00	47.5	31.4	9.00	7.83	3.54	2.6
YHE48B21S	TM9Y120D20MP11	24.5	CF/CM/CU48D	1400	46.0	31.8	14.25	11.75	48.0	31.6	9.00	7.83	3.56	2.62
YHE48B21S	TM9Y120D20MP11	24.5	CF/CM/CU60D	1400	47.0	32.2	14.50	12.00	47.5	31.4	9.00	7.83	3.56	2.62
YHE48B21S	YP9C100C16MP11	21.0	CF/CM/CU48C	1425	46.0	31.6	14.00	11.75	48.0	31.8	9.00	7.83	3.52	2.6
YHE48B21S	YP9C100C16MP11	21.0	CF/CM/CU48D	1425	46.0	31.8	14.25	12.00	47.5	31.4	9.00	7.83	3.58	2.64
YHE48B21S	YP9C100C16MP11	21.0	CF/CM/CU60C	1450	46.5	32.0	14.00	11.75	48.0	31.6	8.75	7.61	3.50	2.56
YHE48B21S	YP9C100C20MP11	21.0	CF/CM/CU48C	1275	45.5	30.2	14.00	11.75	47.5	31.4	9.00	7.83	3.46	2.58
YHE48B21S	YP9C100C20MP11	21.0	CF/CM/CU48D	1300	45.5	30.6	14.25	11.75	47.5	31.4	9.00	7.83	3.50	2.6
YHE48B21S	YP9C100C20MP11	21.0	CF/CM/CU60C	1450	46.5	31.8	14.00	11.75	48.0	31.6	8.75	7.61	3.50	2.56
YHE48B21S	YP9C120D20MP11	24.5	CF/CM/CU60D	1425	46.5	32.2	14.25	12.00	47.5	31.4	9.00	7.83	3.56	2.6
YHE48B21S	TP9C100C16MP11	21.0	CF/CM/CU48C	1425	46.0	31.6	14.00	11.75	48.0	31.8	9.00	7.83	3.52	2.6
YHE48B21S	TP9C100C16MP11	21.0	CF/CM/CU48D	1425	46.0	31.8	14.25	12.00	47.5	31.4	9.00	7.83	3.58	2.64
YHE48B21S	TP9C100C16MP11	21.0	CF/CM/CU60C	1450	46.5	32.0	14.00	11.75	48.0	31.6	8.75	7.61	3.50	2.56
YHE48B21S	TP9C100C20MP11	21.0	CF/CM/CU48C	1275	45.5	30.2	14.00	11.75	47.5	31.4	9.00	7.83	3.46	2.58
YHE48B21S	TP9C100C20MP11	21.0	CF/CM/CU48D	1300	45.5	30.6	14.25	11.75	47.5	31.4	9.00	7.83	3.50	2.6

Continued on next page.

**SYSTEM CAPACITY - With High Efficiency Motor Furnaces<sup>1</sup>**

UNIT MODEL	FURNACE		COIL MODEL	COOLING					HEATING					
	MODEL	WIDTH		RATED CFM	NET MBH		SEER	EER	NET MBH		HSPF Region IV	HSPF Region V	COP	
					TOTAL	SENS.			47°F OD	17°F OD			47°F OD	17°F OD
YHE48B21S	TP9C100C20MP11	21.0	CF/CM/CU60C	1450	46.5	31.8	14.00	11.75	48.0	31.6	8.75	7.61	3.50	2.56
YHE48B21S	TP9C120D20MP11	24.5	CF/CM/CU60D	1425	46.5	32.2	14.25	12.00	47.5	31.4	9.00	7.83	3.56	2.6
YHE60B21S	TM8V100C20MP11	21.0	CF/CM64D	1425	54.5	36.0	14.00	12.00	56.5	37.4	9.25	8.04	3.72	2.76
YHE60B21S	TM8V120C20MP11	21.0	CF/CM64D	1425	54.5	36.0	14.00	12.00	56.5	37.4	9.25	8.04	3.72	2.76
YHE60B21S	TM8X080C16MP11	21.0	CF/CM64D	1400	54.0	35.8	14.00	12.00	56.5	37.4	9.25	8.04	3.70	2.74
YHE60B21S	TM8X100C16MP11	21.0	CF/CM64D	1400	54.0	35.8	14.00	12.00	56.5	37.4	9.25	8.04	3.70	2.74
YHE60B21S	TM8X100C20MP11	21.0	CF/CM64D	1450	54.5	36.4	14.25	12.00	56.5	37.4	9.25	8.04	3.78	2.78
YHE60B21S	TM8X120C20MP11	21.0	CF/CM64D	1450	54.5	36.4	14.25	12.00	56.5	37.4	9.25	8.04	3.78	2.78
YHE60B21S	TM8Y080C16MP11	21.0	CF/CM64D	1400	54.0	35.8	14.00	12.00	56.5	37.4	9.25	8.04	3.70	2.74
YHE60B21S	TM8Y100C16MP11	21.0	CF/CM64D	1400	54.0	35.8	14.00	12.00	56.5	37.4	9.25	8.04	3.70	2.74
YHE60B21S	TM8Y100C20MP11	21.0	CF/CM64D	1450	54.5	36.4	14.25	12.00	56.5	37.4	9.25	8.04	3.78	2.78
YHE60B21S	TM8Y120C20MP11	21.0	CF/CM64D	1450	54.5	36.4	14.25	12.00	56.5	37.4	9.25	8.04	3.78	2.78
YHE60B21S	TM9E100C20MP11	21.0	CF/CM64D	1400	54.0	35.8	14.00	12.00	56.5	37.4	9.00	7.83	3.72	2.76
YHE60B21S	TM9E120D20MP11	24.5	CF/CM64D	1400	54.5	35.8	14.25	12.00	56.5	37.2	9.25	8.04	3.74	2.76
YHE60B21S	TM9V120D20MP11	24.5	CF/CM64D	1525	54.5	37.0	14.00	12.00	57.0	37.6	9.00	7.83	3.80	2.78
YHE60B21S	TM9Y100C20MP11	21.0	CF/CM64D	1400	54.0	35.8	14.00	12.00	56.5	37.4	9.00	7.83	3.72	2.76
YHE60B21S	TM9Y120D20MP11	24.5	CF/CM64D	1400	54.5	35.8	14.25	12.00	56.5	37.2	9.25	8.04	3.74	2.76
YHE60B21S	TMLV100C20MP11	21.0	CF/CM64D	1425	54.5	36.0	14.00	12.00	56.5	37.4	9.25	8.04	3.72	2.76
YHE60B21S	TMLV120C20MP11	21.0	CF/CM64D	1425	54.5	36.0	14.00	12.00	56.5	37.4	9.25	8.04	3.72	2.76
YHE60B21S	TMLX080C16MP11	21.0	CF/CM64D	1400	54.0	35.8	14.00	12.00	56.5	37.4	9.25	8.04	3.70	2.74
YHE60B21S	TMLX100C16MP11	21.0	CF/CM64D	1400	54.0	35.8	14.00	12.00	56.5	37.4	9.25	8.04	3.70	2.74
YHE60B21S	TMLX100C20MP11	21.0	CF/CM64D	1450	54.5	36.4	14.25	12.00	56.5	37.4	9.25	8.04	3.78	2.78
YHE60B21S	TMLX120C20MP11	21.0	CF/CM64D	1450	54.5	36.4	14.25	12.00	56.5	37.4	9.25	8.04	3.78	2.78
YHE60B21S	TP9C120D20MP12	24.5	CF/CM64D	1525	54.5	37.0	14.00	12.00	57.0	37.6	9.00	7.83	3.80	2.78
YHE60B21S	TPLC100C20MP12	21.0	CF/CM64D	1425	54.5	36.0	14.00	12.00	56.5	37.4	9.25	8.04	3.72	2.76
YHE60B21S	TPLC120C20MP12	21.0	CF/CM64D	1425	54.5	36.0	14.00	12.00	56.5	37.4	9.25	8.04	3.72	2.76
YHE60B21S	YP9C120D20MP12	24.5	CF/CM64D	1525	54.5	37.0	14.00	12.00	57.0	37.6	9.00	7.83	3.80	2.78
YHE60B21S	YPLC100C20MP12	21.0	CF/CM64D	1425	54.5	36.0	14.00	12.00	56.5	37.4	9.25	8.04	3.72	2.76
YHE60B21S	YPLC120C20MP12	21.0	CF/CM64D	1425	54.5	36.0	14.00	12.00	56.5	37.4	9.25	8.04	3.72	2.76

1. High Efficiency Motor Furnaces have B.O.D. (Blower on Delay) standard.  
PSC furnaces, such as the TG8S, TGLS, and TG9S, use Coil Only Ratings.

## APPLICATION & ACCESSORIES

Refer to Price Manual for specific model numbers.

Standard Application Limits*		
Maximum Lineset Equivalent Length		80 Ft
Outdoor Ambient Temperature Limits		
Cooling Operation	Maximum DB	125°F
	Minimum DB	55°F
Heating Operation	Maximum DB	75°F
	Minimum DB	-10°F

\* For applications such as Low Ambient, reduced linesets, and/or long linesets, see the accessories listed below.

**Non-Standard Lineset Applications** - For installations with reduced diameter or long linesets, refer to the current version of the Piping Application Guide P/N 247077, available in the Application Bulletins section on [www.upgnet.com](http://www.upgnet.com).

**Standard Low Ambient Control Kit S1-2LA06700424:** Allows the use of air conditioning at low outdoor ambient temperatures down to +20°F (-7°C). For use with all R-410A single stage AC & HP models.

**Advanced Low Ambient Control Kit S1-2LA04701024:** Contains the necessary components and controls to allow cooling operation down to -20°F (-29°C). For use with all R-410A single stage AC & HP models.

**High Ambient Condenser Fan Motor S1-FHM\*\*\*\*HT:** Class F 70°C motor to allow cooling operation up to 160°F air entering the condenser. For use with all R-410A single stage AC & HP models containing R-410A refrigerant only.

**Outdoor Communicating Board Kit (S1-33102952310):** Electronic control upgrade for standard AC & HP units to provide compatibility with the Residential Touch Screen Communicating Control.

**Start Assist Kit S1-2SA067\*\*\*\*:** Provides increased compressor starting torque for areas with low supply voltage. Required for units with recip compressors when applied with indoor TXV, and for all units when applied with long linesets or low ambient kits. May be factory installed on select AC & HP units (see Physical & Electrical Table). See Price Pages or Source1 SmartSearch for the correct kit for each application.

**Compressor Crankcase Heater Kit (S1-025-\*\*\*\*-\*\*\*\*):** A wrap-around electrical resistance heater that warms the compressor sump, reducing the chance of liquid slugging on startup. Required on all long lineset and low ambient applications. See Price Pages or Source1 SmartSearch for the correct part for each application.

**Indoor Blower-Off Delay Kit S1-2FD06700224:** Provides a 1-minute blower-off delay at the end of the cooling cycle. May be required for retrofits with non-Johnson Controls Unitary Products indoor units. This feature is factory-provided on all JCUP indoor products.

**Low Temperature Cutoff S1-2LT067224:** Locks the compressor out at temperatures below -6°F, allowing the system thermostat to cycle on supplemental heat.

**Support Feet S1-HPRKIT\*\*:** Kit of 5 support feet to raise unit above snow or landscaping. Available in heights of 3", 6" or 12".

**Anchor Bracket Kit S1-1HK0401:** Firmly anchors unit to pad or support structure. When properly installed, approved for ground-mounted or roof-mounted applications.

**Indoor TXV Kit S1-1TVM\*\*\*:** Thermal expansion valves precisely meter refrigerant for optimum performance over a wide range of conditions. See System Charge Table, Price Pages, or Source1 Smart Search for TXV part number for each AC & HP model.

**Wall Mount Kit (S1-ACB\*\*):** Includes two brackets to allow outdoor unit to be securely mounted to a vertical wall. Mounting hardware is field sourced according to the specific application.

**Winter Cover Kit S1-CCVRE\*\*\*:** Custom fit winter cover protects AC condensing unit from debris during the off-season. Must be removed prior to unit operation. See Price Pages or Source1 SmartSearch for the correct cover for each application.

**Cold Weather Charging Tent S1-CHGTENT01:** Provides warm environment to accurately service AC & HP systems in ambient conditions 55°F (13°C) or colder.

**Touch-up Paint S1-5130153\*\*\*\*:** Color matched aerosol paint for touching up unit chassis and panels. See Price Pages or Source1 SmartSearch for the correct color for each application.

**Compressor Sound Blanket S1-010-07xxx-000:** A field installed dense foam cover that provides 2dBA sound level reduction. See Price Pages or Source1 SmartSearch for the correct blanket for each application.

**Thermostat:** Compatible thermostat controls are available through accessory sourcing. For optimum performance, these outdoor units are fully compatible with our [YorkColemanLuxair-residential](#) touch screen thermostat with proprietary (patent-pending) hexagon interface. For more information, see the thermostat section of the Product Equipment Catalog.

## SOUND POWER RATINGS - COOLING

Cooling Model Number	Octave Band Sound Power Level (db re. 1-pW)									
	63	125	250	500	1000	2000	4000	8000	dBA	SQI
YHE18B21S	69.3	72.8	66.8	69.1	66.7	63.6	59.3	59.7	72	19.1
YHE24B21S	70.0	70.1	67.6	70.0	67.3	63.5	60.7	56.8	72	19.1
YHE30B21S	68.0	70.6	68.3	70.0	68.9	65.5	64.7	61.1	74	19.0
YHE35B21S	67.9	72.6	68.3	70.5	68.0	63.6	59.7	56.5	72	19.2
YHE36B21H	68.4	70.2	68.8	68.9	69.0	65.0	63.3	60.2	73	19.1
YHE42B21H	56.0	71.2	68.1	70.0	65.9	65.5	58.8	54.9	75	19.0
YHE48B21S	58.0	70.7	64.1	68.3	66.1	61.7	57.9	56.0	75	19.0
YHE60B21S	69.1	71.6	68.9	71.3	70.2	65.5	61.5	58.4	74	19.0

Rated in accordance with ARI Standard 270.

**SOUND POWER RATINGS - HEATING**

Heating Model Number	Octave Band Sound Power Level (db re. 1-pW)									
	63	125	250	500	1000	2000	4000	8000	dBA	SQI
YHE18B21S	69.9	73.1	68.0	69.3	66.1	63.6	59.2	58.0	72	19.0
YHE24B21S	69.7	69.7	66.7	71.2	66.9	63.2	60.3	56.5	72	19.0
YHE30B21S	70.3	74.6	70.5	71.9	68.9	66.0	60.4	58.7	74	19.2
YHE35B21S	64.3	73.7	67.7	73.6	68.0	63.4	60.2	61.1	73	19.1
YHE36B21H	69.3	70.0	70.8	71.3	70.8	67.1	62.5	61.3	75	19.0
YHE42B21H	58.0	75.1	72.2	67.1	62.4	60.7	55.3	52.3	75	19.0
YHE48B21S	61.2	69.6	65.8	68.1	65.5	60.3	55.2	52.4	74	19.0
YHE60B21S	72.6	73.4	70.8	71.9	69.0	67.2	65.4	65.5	75	19.1

Rated in accordance with ARI Standard 270.

**MECHANICAL SPECIFICATIONS****MANUFACTURE AND CERTIFICATIONS**

- Units shall be manufactured in an ISO 9001 certified facility.
- Units shall be certified by CSA to UL 1995 / CSA 22.2 and performance certified to ANSI/AHRI Standard 210/240.
- Units shall be sound tested according to ANSI/AHRI Standard 270.
- Certified matched system ratings will be available for download from the AHRI online directory at [www.ahridirectory.org](http://www.ahridirectory.org).
- Unit packaging shall be marked, "Assembled in the USA"

**UNIT APPLICATION**

- Units shall be approved for cooling operation between 55°F and 125°F without modification.
- Units shall be approved for heating operation between -20°F and 75°F without modification.
- Units shall be approved for linesets up to 80 feet equivalent length without modification.
- Units shall be approved for installation within 6 inches of a flat vertical wall without modification, according to the instructions in the technical literature.
- Units shall be certified to the 5th Edition (2014) of the Florida Building Code for a combined allowable lateral and uplift wind force of 200 psf and 100 psf, respectively, for both ground-mounted and rooftop-mounted applications up to 200 feet above grade with approved mounting kit
- Units shall be designed to 76dBA or less to minimize sound pollution.

**UNIT ACCESS**

- Units shall have a removable fan guard that can be removed independently of the top for interior access through the top of the unit without damaging the coil.
- Units shall have two removable stamped steel coil guards for exterior coil access.
- Units shall have a separate compartment for electrical controls that can be accessed without disturbing the unit airflow.
- Units shall have a blockoff panel that can be removed to provide interior unit access through the side of the unit.
- Units shall have a removable blockoff panel and a swing away removable electrical panel that provides sufficient interior unit access for removing the compressor through the side of the unit.

**UNIT CONSTRUCTION**

- Units shall be shipped completely wired, piped and assembled. Wiring pigtailed shall be provided for field control wiring connections. Service valves shall be provided for field refrigerant line connections.

- Units shall be factory leak checked, run tested, and shipped with a holding charge of R-410A refrigerant.
- Unit cabinet components shall be G90 equivalent steel finished with powder-coat paint rated at a minimum of 500 hours under ASTM B117 testing.
- Unit base pan shall be stamped G90 equivalent steel finished with powder-coat paint rated at a minimum of 500 hours under ASTM B117 testing.
- Units shall have a single corner post opposite the electrical control box and two independently removable steel coil guard panels to optimize cabinet strength and serviceability.
- Units shall have L-shaped stamped sheet metal coil guards with punched and extruded slots for maximum panel durability and stiffness.
- Units shall have a factory installed filter-drier for faster installation and improved system reliability.
- Unit base valves shall be mounted diagonally on the unit base pan with service ports that provide sufficient clearance for low-loss hose fittings.
- Units shall be constructed with a high pressure switch for system protection.
- Units shall be constructed with all badging and labels applied at the factory.

**UNIT COMPONENTS**

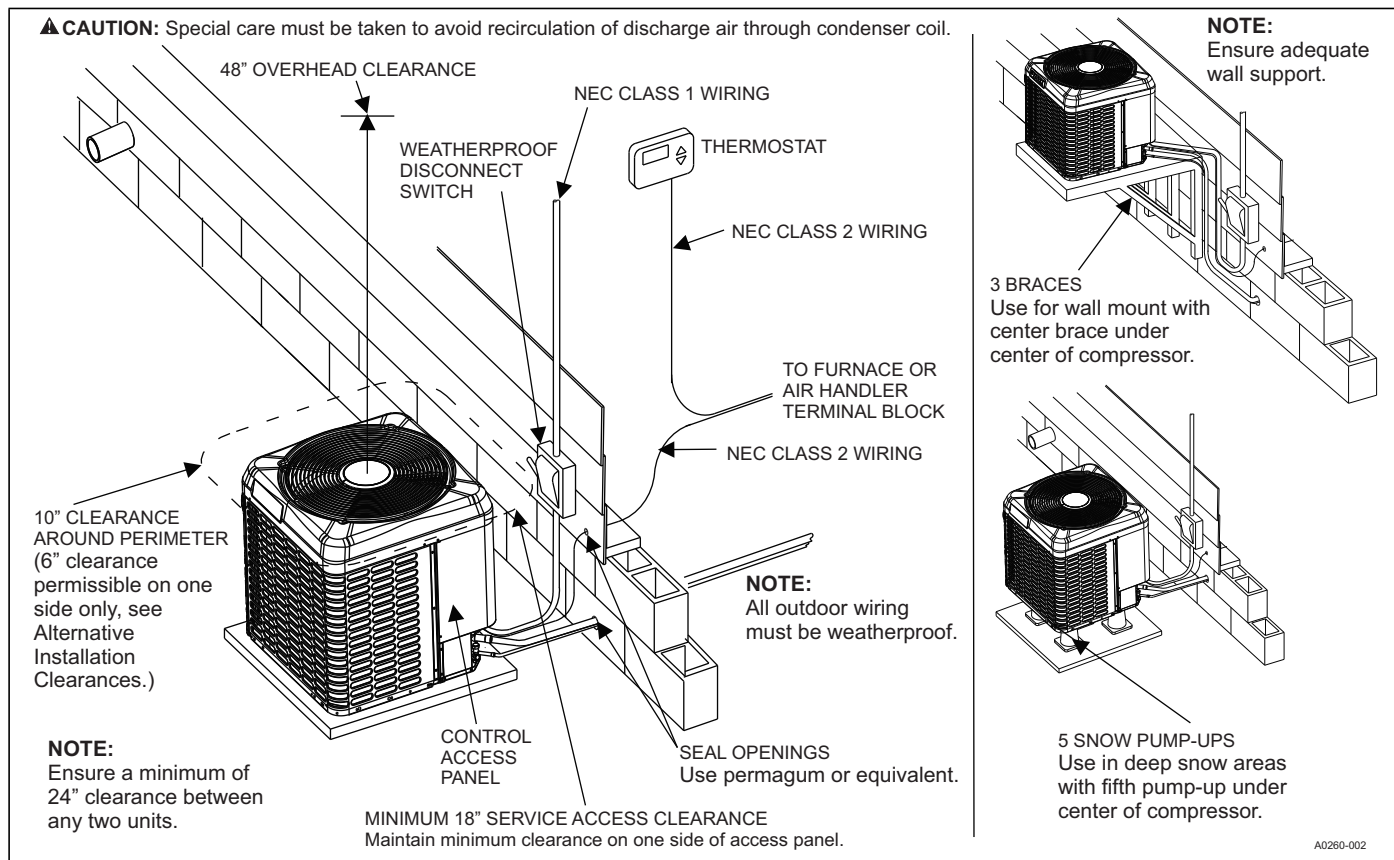
- Compressor shall be hermetic with internal electrical overload protection and internal overpressure protection.
- Compressor shall be mounted on rubber vibration isolators that do not require the removal of transportation clips or brackets.
- Units shall be constructed with internally sprung reciprocating compressors for low vibration. (Applies to select models).
- Condenser fan shall be direct drive with vertical air discharge for low sound levels.
- Condenser fan motor shall be totally enclosed with permanently lubricated ball bearings motors approved for vertical shaft applications.
- Condenser coil shall be air cooled and constructed of enhanced aluminum fins mechanically bonded to internally enhanced Ø 7mm copper tubing.

**UNIT WARRANTIES**

- Unit manufacturer shall provide a 10-Year compressor warranty without a requirement for unit registration.
- Unit manufacturer shall provide a 5-Year parts warranty without a requirement for unit registration.

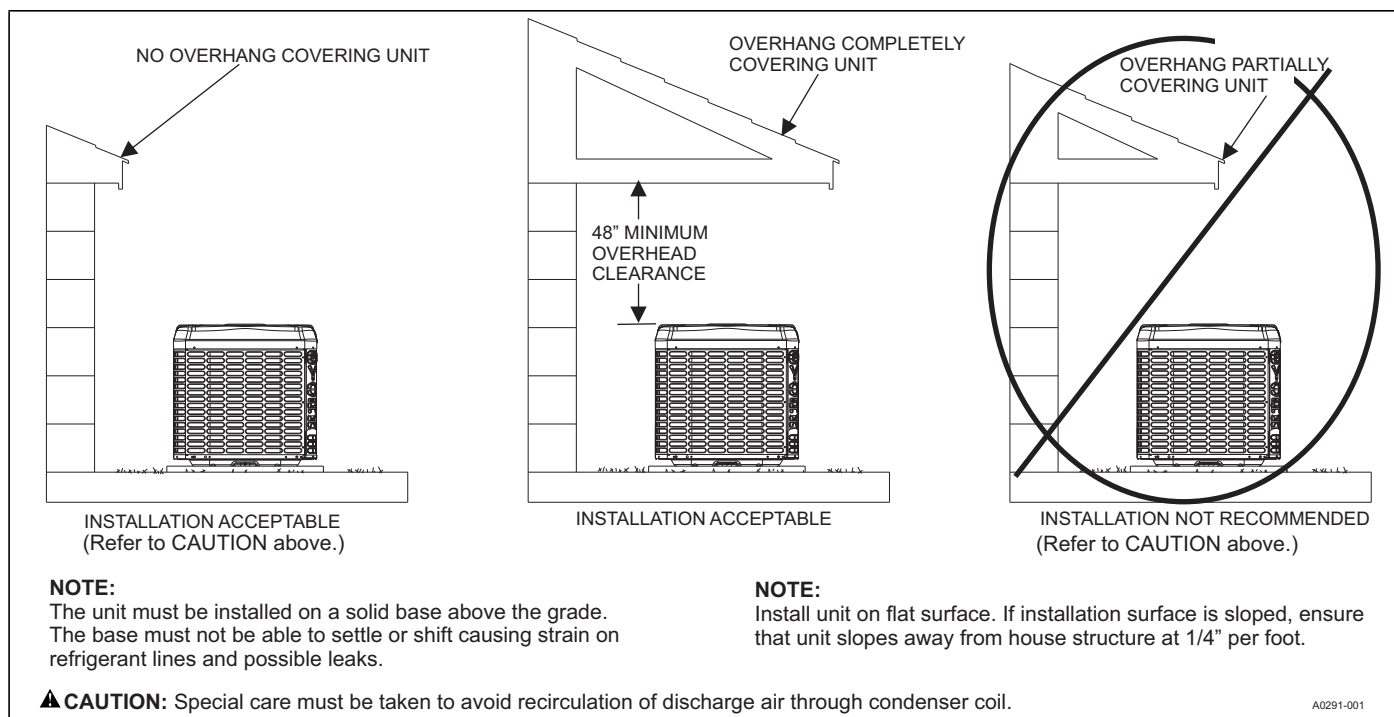


**TYPICAL INSTALLATION**

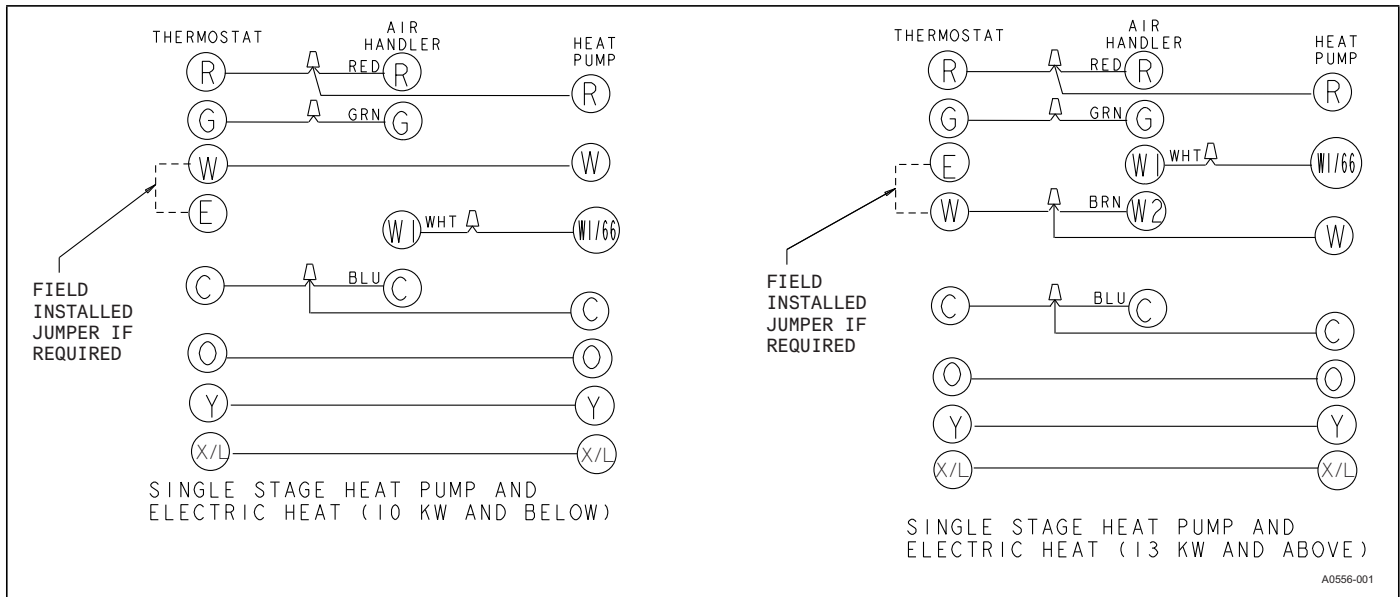


**▲ CAUTION**

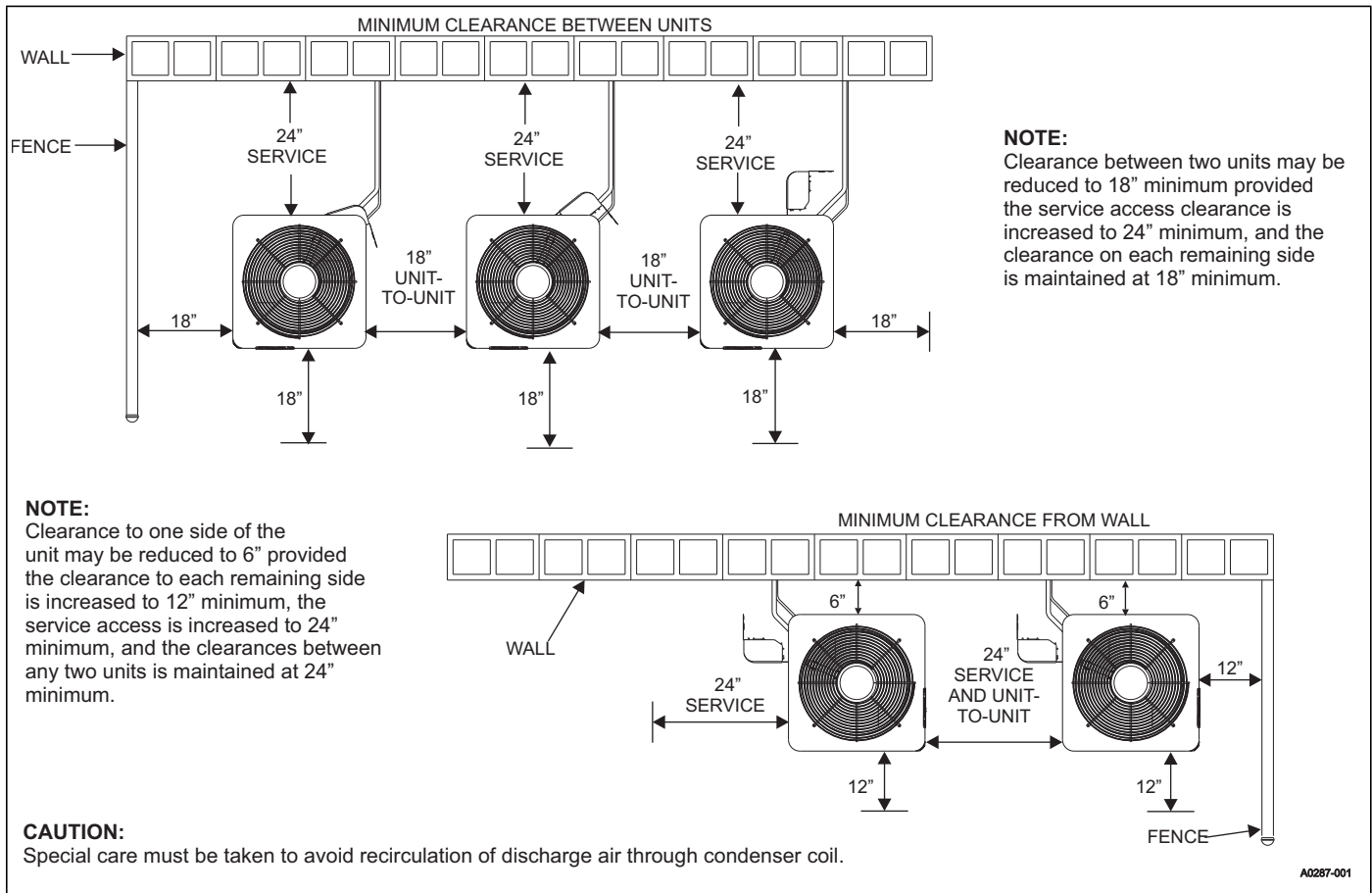
Care must be taken to prevent ice from damaging the unit. Damage may occur from ice falling onto unit from a sloped roof or from a vertical drip line due to a partial overhang.



**TYPICAL FIELD WIRING**



**ALTERNATIVE INSTALLATION CLEARANCES**



## PERFORMANCE DATA - 1.5 TON

CONDENSER-ONLY DATA (OUTDOOR UNIT)																
MODEL	SATURATED SUCTION @ COMPRESSOR		Outdoor Ambient Temperature													
			65 °F		75 °F		85 °F		95 °F		105 °F		115 °F		125 °F	
	T (°F)	P (PSIG)	MBH	KW	MBH	KW	MBH	KW	MBH	KW	MBH	KW	MBH	KW	MBH	KW
YHE18B21S	35	107	16.2	0.94	15.4	1.06	14.5	1.20	13.6	1.35	12.6	1.53	11.6	1.73	10.6	1.96
	40	119	17.9	0.92	17.0	1.05	16.0	1.81	15.0	1.33	14.0	1.51	12.9	1.72	11.8	1.95
	45	130	19.7	0.90	18.7	1.03	17.7	1.17	16.6	1.32	15.5	1.49	14.3	1.70	13.1	1.93
	50	143	21.7	0.88	20.6	1.01	19.5	1.15	18.3	1.30	17.1	1.49	15.8	1.68	14.5	1.90
	55	156	23.8	0.86	22.6	0.99	21.3	1.13	20.1	1.28	18.8	1.46	17.4	1.66	16.0	1.88

## Notes:

- For Outdoor Unit (Condenser) performance only. Data does not include the effects of air handler power or heat.
- Performance based on 15°F subcooling and 15°F superheat at the Outdoor Unit base valves.
  - Increase capacity by 1% for each 2°F increase in subcooling.
  - Decrease capacity by 1% for each 2°F decrease in subcooling.
- Maximum recommended condensing temperature is 140°F.

COOLING PERFORMANCE DATA																
AIR CONDITIONER MODEL NO.		YHE18B21S														
AIR TEMP. ENTERING OUTDOOR UNIT (°F)	IDCFM	450					600					750				
	ID DB (°F)	80	80	75	80	80	80	80	75	80	80	80	80	75	80	80
	ID WB (°F)	57	62	62	67	72	57	62	62	67	72	57	62	62	67	72
65	T.C.	17.0	18.5	18.7	20.4	22.2	18.4	19.4	19.3	21.1	22.6	19.7	20.3	19.9	21.8	23.1
	S.C.	16.7	14.7	12.7	12.5	10.2	18.1	16.6	14.3	14.1	11.1	19.6	18.6	15.9	15.8	12.0
	KW	1.10	1.10	1.10	1.10	1.09	1.15	1.16	1.16	1.15	1.14	1.20	1.21	1.21	1.21	1.20
75	T.C.	16.4	17.6	17.9	19.6	21.5	17.7	18.4	18.5	20.3	22.0	19.0	19.1	19.0	21.0	22.4
	S.C.	16.1	14.4	12.3	12.2	9.9	17.5	16.7	13.9	13.9	10.8	18.8	19.0	15.5	15.6	11.7
	KW	1.21	1.21	1.21	1.21	1.20	1.26	1.26	1.26	1.26	1.25	1.31	1.32	1.32	1.31	1.30
85	T.C.	15.8	17.1	17.1	18.9	20.6	17.0	17.6	17.6	19.4	21.0	18.2	18.1	18.1	20.0	21.4
	S.C.	15.5	13.9	12.0	12.0	9.6	16.8	16.0	13.6	13.6	10.5	18.1	18.1	15.2	15.2	11.5
	KW	1.35	1.35	1.35	1.35	1.34	1.40	1.41	1.40	1.40	1.39	1.45	1.46	1.46	1.45	1.45
95	T.C.	15.2	16.7	16.2	18.1	19.6	16.3	16.9	16.7	18.5	20.0	17.4	17.1	17.2	18.9	20.3
	S.C.	14.9	13.3	11.7	11.7	9.2	16.1	15.2	13.3	13.3	10.2	17.3	17.1	14.9	14.8	11.2
	KW	1.49	1.49	1.49	1.49	1.48	1.54	1.55	1.55	1.54	1.53	1.59	1.60	1.60	1.59	1.59
105	T.C.	14.4	15.4	15.1	17.0	18.4	15.4	15.8	15.6	17.3	18.7	16.4	16.1	16.0	17.7	18.9
	S.C.	14.2	12.9	11.2	11.2	8.8	15.2	14.5	12.8	12.8	9.7	16.3	16.1	14.3	14.3	10.7
	KW	1.71	1.69	1.70	1.69	1.68	1.75	1.75	1.75	1.74	1.73	1.80	1.81	1.81	1.79	1.79
115	T.C.	13.5	14.3	14.1	15.9	17.2	14.5	14.7	14.5	16.2	17.4	15.5	15.1	14.9	16.5	17.6
	S.C.	13.4	12.6	10.7	10.8	8.4	14.4	13.8	12.2	12.3	9.3	15.4	15.1	13.8	13.9	10.2
	KW	1.92	1.89	1.89	1.88	1.87	1.96	1.95	1.95	1.93	1.93	2.00	2.00	2.01	1.99	1.98
125	T.C.	12.7	13.1	13.1	14.8	16.0	13.6	13.6	13.4	15.1	16.2	14.5	14.1	13.7	15.3	16.3
	S.C.	12.7	12.2	10.2	10.3	8.0	13.6	13.2	11.7	11.9	8.9	14.4	14.1	13.2	13.4	9.7
	KW	2.14	2.09	2.09	2.08	2.06	2.17	2.15	2.15	2.13	2.12	2.20	2.20	2.21	2.18	2.17

**NOTE:** ALL CAPACITIES INCLUDE INDOOR FAN HEAT. KW VALUES ARE FOR THE SYSTEM (OUTDOOR + INDOOR).

Green shaded cells are ACCA (TVA) conditions.

Blue shaded cells are AHRI conditions.

## Multipliers for determining the performance with other indoor sections.

**NOTE:** For dry bulb temperatures different than those listed (between 73-87 °F), sensible capacity increases by 1060 BTUH per 1000 CFM per degree above the listed temperature and decreases by 1060 BTUH per 1000 CFM per degree below the listed temperature.

**COIL MULTIPLIERS- 1.5 TON**

Air Handler	Coil	T.C.	S.C.	KW
-	CF/CM/CU18A	0.96	0.96	0.96
-	CF/CM/CU18B	0.96	0.96	0.96
-	CF/CM/CU24A	0.96	0.96	0.96
-	CF/CM/CU24B	0.96	0.96	0.96
-	CF/CM/CU24C	0.96	0.96	0.96
AE18BX21	-	0.97	0.97	0.90
AE24BX21	-	0.97	0.97	0.90
AP18BX21	-	0.96	0.96	0.96
AP24BX21	-	0.96	0.96	0.96
AVC18BX21	-	0.97	0.97	0.90
AVC24BX21	-	0.97	0.97	0.90
ME08BN21	CF/CM18B	0.97	0.97	0.90
ME08BN21	CF/CM24B	0.97	0.97	0.88
ME12BN21	CF/CM18B	0.97	0.97	0.97
ME12BN21	CF/CM24B	0.97	0.96	0.97
MVC08BN21	CF/CM18B	0.98	0.98	0.91

**FURNACE MULTIPLIERS- 1.5 TON**

Furnaces	Coil	T.C.	S.C.	KW
TM8V060A12MP11	CF/CM/CU18A	0.98	0.98	0.97
TM8V080B12MP11	CF/CM/CU24B	0.96	0.96	0.90
TM8X060A12MP11	CF/CM/CU18A	0.97	0.97	0.94
TM8X060A12MP11	CF/CM/CU24A	0.97	0.96	0.94
TM8X080B12MP11	CF/CM/CU18B	0.97	0.97	0.94
TM8X080B12MP11	CF/CM/CU24B	0.97	0.96	0.94
TM8X080C16MP11	CF/CM/CU24C	0.97	0.96	0.94
TM8X100C16MP11	CF/CM/CU24C	0.97	0.96	0.94
TM8Y060A12MP11	CF/CM/CU18A	0.97	0.97	0.94
TM8Y060A12MP11	CF/CM/CU24A	0.97	0.96	0.94
TM8Y080B12MP11	CF/CM/CU18B	0.97	0.97	0.94
TM8Y080B12MP11	CF/CM/CU24B	0.97	0.96	0.94
TM8Y080C16MP11	CF/CM/CU24C	0.97	0.96	0.94
TM8Y100C16MP11	CF/CM/CU24C	0.97	0.96	0.94
TM9E040A10MP11	CF/CM/CU18A	0.97	0.97	0.94
TM9E040A10MP11	CF/CM/CU24A	0.98	0.99	0.94
TM9E060B12MP11	CF/CM/CU24B	0.97	0.96	0.95
TM9E080B12MP11	CF/CM/CU24B	0.97	0.96	0.95
TM9E080C16MP11	CF/CM/CU24C	0.97	0.97	0.92
TM9E100C16MP11	CF/CM/CU24C	0.97	0.97	0.92
TM9V060B12MP11	CF/CM/CU24B	0.98	0.98	0.90
TM9V080B12MP11	CF/CM/CU24B	0.98	0.98	0.90
TM9Y040A10MP11	CF/CM/CU18A	0.97	0.97	0.94
TM9Y040A10MP11	CF/CM/CU24A	0.98	0.99	0.94
TM9Y060B12MP11	CF/CM/CU24B	0.97	0.96	0.95
TM9Y080B12MP11	CF/CM/CU24B	0.97	0.96	0.95
TM9Y080C16MP11	CF/CM/CU24C	0.97	0.97	0.92
TM9Y100C16MP11	CF/CM/CU24C	0.97	0.97	0.92
TMLV060A12MP11	CF/CM/CU18A	0.98	0.98	0.97
TMLV080B12MP11	CF/CM/CU24B	0.96	0.96	0.90
TMLX060A12MP11	CF/CM/CU18A	0.97	0.97	0.94
TMLX060A12MP11	CF/CM/CU24A	0.97	0.96	0.94
TMLX080B12MP11	CF/CM/CU18B	0.97	0.97	0.94
TMLX080B12MP11	CF/CM/CU24B	0.97	0.96	0.94
TMLX080C16MP11	CF/CM/CU24C	0.97	0.96	0.94
TMLX100C16MP11	CF/CM/CU24C	0.97	0.96	0.94
TP9C060B12MP11	CF/CM/CU24B	0.98	0.98	0.90
TP9C080B12MP11	CF/CM/CU24B	0.98	0.98	0.90
TPLC060A12MP11	CF/CM/CU18A	0.98	0.98	0.97
TPLC080B12MP11	CF/CM/CU24B	0.96	0.96	0.90
YP9C060B12MP11	CF/CM/CU24B	0.98	0.98	0.90
YP9C080B12MP11	CF/CM/CU24B	0.98	0.98	0.90
YPLC060A12MP11	CF/CM/CU18A	0.98	0.98	0.97
YPLC080B12MP11	CF/CM/CU24B	0.96	0.96	0.90

HEATING PERFORMANCE DATA										
CONDENSING UNIT MODEL NO		YHE18B21S								
AIR TEMP. ENTERING OUTDOOR UNIT (°F)	AIR TEMP. ENTERING INDOOR COIL (°F)	ID CFM								
		450			600			750		
		MBH	COP	KW	MBH	COP	KW	MBH	COP	KW
60	60	21.9	4.08	1.57	22.7	4.41	1.51	23.6	4.76	1.45
	70	21.3	3.63	1.72	22.1	3.93	1.65	22.9	4.25	1.58
	80	20.7	3.25	1.87	21.5	3.50	1.80	22.3	3.80	1.72
47	60	18.9	3.70	1.50	19.3	3.91	1.45	19.7	4.10	1.41
	70	18.3	3.27	1.64	18.8	3.46	1.59	19.3	3.67	1.54
	80	17.6	2.90	1.78	18.2	3.09	1.73	18.8	3.28	1.68
40	60	17.3	3.47	1.46	17.9	3.66	1.43	18.4	3.86	1.40
	70	16.9	3.05	1.62	17.5	3.24	1.58	18.0	3.45	1.53
	80	16.4	2.70	1.78	17.0	2.88	1.73	17.6	3.09	1.67
30	60	15.0	3.10	1.42	15.5	3.22	1.41	16.0	3.37	1.39
	70	14.7	2.74	1.57	15.1	2.86	1.55	15.6	3.01	1.52
	80	14.3	2.44	1.72	14.8	2.56	1.69	15.2	2.70	1.65
17	60	10.8	2.40	1.32	11.8	2.61	1.33	12.9	2.79	1.35
	70	11.2	2.23	1.47	11.9	2.37	1.47	12.6	2.51	1.47
	80	11.6	2.08	1.63	11.9	2.17	1.61	12.3	2.25	1.60
10	60	10.5	2.33	1.32	10.9	2.39	1.33	11.20	2.47	1.33
	70	10.3	2.06	1.46	10.6	2.13	1.46	11.0	2.21	1.45
	80	10.0	1.83	1.60	10.4	1.91	1.59	10.7	2.00	1.57

**NOTE:** ALL CAPACITIES INCLUDE INDOOR FAN HEAT. KW VALUES ARE FOR THE SYSTEM (OUTDOOR + INDOOR).

Yellow shaded cells are AHRI High Heating conditions.

Orange shaded cells are AHRI Low Heating conditions.

**Multipliers for determining the performance with other indoor sections.**

#### COIL MULTIPLIERS- 1.5 TON

Air Handler	Coil	MBH	COP	KW
–	CF/CM/CU18A	0.93	1.01	0.92
–	CF/CM/CU18B	0.93	1.01	0.92
–	CF/CM/CU24A	0.93	1.01	0.92
–	CF/CM/CU24B	0.93	1.01	0.92
–	CF/CM/CU24C	0.93	1.01	0.92
AE24BX21	–	0.96	1.10	0.87
AP18BX21	–	0.93	1.01	0.92
AP24BX21	–	0.93	1.01	0.92
AVC18BX21	–	0.96	1.09	0.88
AVC24BX21	–	1.00	1.10	0.91
ME08BN21	CF/CM18B	0.96	1.10	0.87
ME08BN21	CF/CM24B	0.96	1.11	0.86
ME12BN21	CF/CM18B	0.96	1.03	0.93
ME12BN21	CF/CM24B	0.96	1.04	0.92
MVC08BN21	CF/CM18B	0.97	1.09	0.88

**FURNACE MULTIPLIERS- 1.5 TON**

Furnaces	Coil	MBH	COP	KW
TM8V060A12MP11	CF/CM/CU18A	0.97	1.06	0.92
TM8V080B12MP11	CF/CM/CU24B	0.94	1.07	0.88
TM8X060A12MP11	CF/CM/CU18A	0.96	1.05	0.91
TM8X060A12MP11	CF/CM/CU24A	0.96	1.07	0.90
TM8X080B12MP11	CF/CM/CU18B	0.96	1.05	0.91
TM8X080B12MP11	CF/CM/CU24B	0.96	1.07	0.90
TM8X080C16MP11	CF/CM/CU24C	0.96	1.06	0.90
TM8X100C16MP11	CF/CM/CU24C	0.96	1.06	0.90
TM8Y060A12MP11	CF/CM/CU18A	0.96	1.05	0.91
TM8Y060A12MP11	CF/CM/CU24A	0.96	1.07	0.90
TM8Y080B12MP11	CF/CM/CU18B	0.96	1.05	0.91
TM8Y080B12MP11	CF/CM/CU24B	0.96	1.07	0.90
TM8Y080C16MP11	CF/CM/CU24C	0.96	1.06	0.90
TM8Y100C16MP11	CF/CM/CU24C	0.96	1.06	0.90
TM9E040A10MP11	CF/CM/CU18A	0.96	1.06	0.90
TM9E040A10MP11	CF/CM/CU24A	0.96	1.08	0.89
TM9E060B12MP11	CF/CM/CU24B	0.96	1.05	0.91
TM9E080B12MP11	CF/CM/CU24B	0.96	1.05	0.91
TM9E080C16MP11	CF/CM/CU24C	0.96	1.08	0.88
TM9E100C16MP11	CF/CM/CU24C	0.96	1.08	0.88
TM9V060B12MP11	CF/CM/CU24B	0.96	1.11	0.87
TM9V080B12MP11	CF/CM/CU24B	0.96	1.11	0.87

**FURNACE MULTIPLIERS- 1.5 TON (Continued)**

Furnaces	Coil	MBH	COP	KW
TM9Y040A10MP11	CF/CM/CU18A	0.96	1.06	0.90
TM9Y040A10MP11	CF/CM/CU24A	0.96	1.08	0.89
TM9Y060B12MP11	CF/CM/CU24B	0.96	1.05	0.91
TM9Y080B12MP11	CF/CM/CU24B	0.96	1.05	0.91
TM9Y080C16MP11	CF/CM/CU24C	0.96	1.08	0.88
TM9Y100C16MP11	CF/CM/CU24C	0.96	1.08	0.88
TMLV060A12MP11	CF/CM/CU18A	0.97	1.06	0.92
TMLV080B12MP11	CF/CM/CU24B	0.94	1.07	0.88
TMLX060A12MP11	CF/CM/CU18A	0.96	1.05	0.91
TMLX060A12MP11	CF/CM/CU24A	0.96	1.07	0.90
TMLX080B12MP11	CF/CM/CU18B	0.96	1.05	0.91
TMLX080B12MP11	CF/CM/CU24B	0.96	1.07	0.90
TMLX080C16MP11	CF/CM/CU24C	0.96	1.06	0.90
TMLX100C16MP11	CF/CM/CU24C	0.96	1.06	0.90
TP9C060B12MP11	CF/CM/CU24B	0.96	1.11	0.87
TP9C080B12MP11	CF/CM/CU24B	0.96	1.11	0.87
TPLC060A12MP11	CF/CM/CU18A	0.97	1.06	0.92
TPLC080B12MP11	CF/CM/CU24B	0.94	1.07	0.88
YP9C060B12MP11	CF/CM/CU24B	0.96	1.11	0.87
YP9C080B12MP11	CF/CM/CU24B	0.96	1.11	0.87
YPLC060A12MP11	CF/CM/CU18A	0.97	1.06	0.92
YPLC080B12MP11	CF/CM/CU24B	0.94	1.07	0.88

## PERFORMANCE DATA - 2 TON

CONDENSER-ONLY DATA (OUTDOOR UNIT)																
MODEL	SATURATED SUCTION @ COMPRESSOR		Outdoor Ambient Temperature													
			65 °F		75 °F		85 °F		95 °F		105 °F		115 °F		125 °F	
	T (°F)	P (PSIG)	MBH	KW	MBH	KW	MBH	KW	MBH	KW	MBH	KW	MBH	KW	MBH	KW
YHE24B21S	35	107	23.8	1.11	22.0	1.33	20.2	1.56	18.5	1.78	16.7	2.00	15.0	2.23	13.2	2.45
	40	119	25.9	1.11	24.2	1.33	22.4	1.55	20.6	1.77	18.9	1.98	17.1	2.20	15.3	2.42
	45	130	28.1	1.11	26.4	1.33	24.6	1.54	22.8	1.75	21.0	1.96	19.2	2.17	17.4	2.39
	50	143	30.3	1.11	28.5	1.32	26.7	1.53	24.9	1.73	23.1	1.94	21.3	2.15	19.5	2.35
	55	156	32.5	1.12	30.7	1.32	28.9	1.52	27.1	1.72	25.3	1.92	23.4	2.12	21.6	2.32

## Notes:

- For Outdoor Unit (Condenser) performance only. Data does not include the effects of air handler power or heat.
- Performance based on 15°F subcooling and 15°F superheat at the Outdoor Unit base valves.
  - Increase capacity by 1% for each 2°F increase in subcooling.
  - Decrease capacity by 1% for each 2°F decrease in subcooling.
- Maximum recommended condensing temperature is 140°F.

COOLING PERFORMANCE DATA																
AIR CONDITIONER MODEL NO.		YHE24B21S														
AIR TEMP. ENTERING OUTDOOR UNIT (°F)	IDCFM	600					800					1000				
	ID DB (°F)	80	80	75	80	80	80	80	75	80	80	80	80	75	80	80
	ID WB (°F)	57	62	62	67	72	57	62	62	67	72	57	62	62	67	72
65	T.C.	21.3	23.8	24.0	26.5	28.9	23.3	24.8	25.0	27.5	29.5	25.3	25.9	26.0	28.5	30.1
	S.C.	20.7	18.9	16.3	16.1	13.0	22.8	21.8	18.5	18.3	14.0	24.9	24.8	20.8	20.5	15.1
	KW	1.46	1.46	1.45	1.46	1.45	1.53	1.53	1.53	1.53	1.52	1.60	1.60	1.60	1.60	1.60
75	T.C.	20.6	22.7	23.0	25.4	28.2	22.5	23.8	24.0	26.5	29.3	24.4	24.9	24.9	27.5	30.3
	S.C.	20.1	18.3	15.8	15.6	12.7	22.1	21.4	18.1	17.9	14.2	24.0	24.4	20.3	20.2	15.6
	KW	1.60	1.60	1.59	1.60	1.59	1.67	1.67	1.67	1.67	1.66	1.74	1.74	1.74	1.74	1.73
85	T.C.	19.8	21.7	21.9	24.3	27.0	21.6	22.7	22.8	25.2	28.0	23.4	23.7	23.7	26.1	28.9
	S.C.	19.4	17.9	15.3	15.2	12.3	21.2	20.7	17.5	17.5	13.7	23.1	23.5	19.8	19.7	15.1
	KW	1.79	1.79	1.78	1.79	1.78	1.86	1.86	1.85	1.86	1.85	1.93	1.93	1.93	1.93	1.92
95	T.C.	19.0	20.6	20.8	23.1	25.8	20.7	21.6	21.7	23.9	26.7	22.3	22.5	22.5	24.7	27.5
	S.C.	18.7	17.4	14.7	14.8	11.8	20.4	20.0	17.0	17.0	13.2	22.1	22.5	19.3	19.2	14.6
	KW	1.97	1.97	1.97	1.98	1.97	2.04	2.05	2.04	2.05	2.04	2.12	2.12	2.12	2.12	2.11
105	T.C.	17.8	19.2	19.4	21.6	24.2	19.4	20.2	20.2	22.4	25.0	21.0	21.1	21.0	23.1	25.7
	S.C.	17.6	16.8	14.1	14.2	11.2	19.2	19.0	16.4	16.3	12.6	20.8	21.1	18.6	18.5	14.0
	KW	2.26	2.26	2.26	2.27	2.25	2.33	2.33	2.33	2.33	2.32	2.40	2.40	2.40	2.40	2.39
115	T.C.	16.7	17.9	18.1	20.2	22.6	18.2	18.9	18.8	20.9	23.3	19.7	19.8	19.5	21.5	24.0
	S.C.	16.6	16.3	13.6	13.6	10.7	18.1	18.0	15.7	15.7	12.0	19.6	19.8	17.9	17.8	13.4
	KW	2.55	2.54	2.54	2.54	2.52	2.61	2.61	2.61	2.61	2.59	2.68	2.67	2.68	2.68	2.67
125	T.C.	15.5	16.6	16.8	18.8	21.0	17.0	17.6	17.4	19.4	21.7	18.4	18.5	18.0	19.9	22.3
	S.C.	15.5	15.7	13.0	13.0	10.1	17.0	17.1	15.1	15.1	11.5	18.4	18.5	17.2	17.1	12.8
	KW	2.83	2.81	2.81	2.81	2.80	2.89	2.88	2.88	2.88	2.87	2.95	2.95	2.95	2.95	2.94

**NOTE:** ALL CAPACITIES INCLUDE INDOOR FAN HEAT. KW VALUES ARE FOR THE SYSTEM (OUTDOOR + INDOOR).

Green shaded cells are ACCA (TVA) conditions.

Blue shaded cells are AHRJ conditions.

## Multipliers for determining the performance with other indoor sections.

**NOTE:** For dry bulb temperatures different than those listed (between 73-87 °F), sensible capacity increases by 1060 BTUH per 1000 CFM per degree above the listed temperature and decreases by 1060 BTUH per 1000 CFM per degree below the listed temperature.

**COIL MULTIPLIERS - 2 TON**

Air Handler	Coil	T.C.	S.C.	KW
-	CF/CM/CU24A	1.00	1.01	1.02
-	CF/CM/CU24B	1.00	1.01	1.02
-	CF/CM/CU24C	1.00	1.01	1.02
-	CF/CM/CU30B	1.00	1.02	0.98
-	CF/CM/CU30C	1.00	1.02	0.98
-	CF/CM/CU30D	1.00	1.02	0.98
AE24BX21	-	1.00	1.02	0.90
AE30BX21	-	1.00	1.03	0.90
AP24BX21	-	1.00	1.00	0.99
AP30BX21	-	1.00	1.02	0.94
AVC24BX21	-	1.01	1.02	0.93
AVC30BX21	-	1.01	1.03	0.91
ME08BN21	CF/CM24B	1.00	1.01	0.90
ME08BN21	CF/CM30B	1.00	1.02	0.90
ME12BN21	CF/CM24B	1.00	1.01	0.92
ME12BN21	CF/CM30B	1.00	1.02	0.90
ME14DN21	CF/CM30D	1.00	1.03	0.90
ME16CN21	CF/CM24C	0.99	1.00	0.97
MVC08BN21	CF/CM24B	1.00	1.01	0.90
MVC08BN21	CF/CM30B	1.02	1.05	0.92
MVC12BN21	CF/CM24B	1.00	1.00	0.92
MVC12BN21	CF/CM30B	1.02	1.05	0.92
MVC14DN21	CF/CM30D	1.00	1.02	0.90

**FURNACE MULTIPLIERS - 2 TON**

Furnaces	Coil	T.C.	S.C.	KW
TM8V060A12MP11	CF/CM/CU24A	0.99	0.96	0.95
TM8V060A12MP11	CF/CM/CU30A	1.01	0.99	0.93
TM8V080B12MP11	CF/CM/CU24B	0.99	0.93	0.93
TM8V080B12MP11	CF/CM/CU30B	1.01	1.02	0.91
TM8X060A12MP11	CF/CM/CU24A	1.01	1.00	0.93
TM8X060A12MP11	CF/CM/CU30A	1.01	0.97	0.91
TM8X080B12MP11	CF/CM/CU24B	0.99	0.97	0.91
TM8X080B12MP11	CF/CM/CU30B	1.01	0.99	0.91
TM8X080C16MP11	CF/CM/CU30C	1.01	1.02	0.91
TM8V060A12MP11	CF/CM/CU24A	1.02	1.03	0.97
TM8V060A12MP11	CF/CM/CU30A	1.02	1.04	0.92
TM8V080B12MP11	CF/CM/CU24B	1.03	1.04	0.96
TM8V080B12MP11	CF/CM/CU30B	1.00	1.03	0.90
TM8X060A12MP11	CF/CM/CU24A	1.00	1.00	0.92
TM8X060A12MP11	CF/CM/CU30A	1.02	1.05	0.92
TM8X080B12MP11	CF/CM/CU24B	1.02	1.04	0.94
TM8X080B12MP11	CF/CM/CU30B	1.02	1.05	0.92
TM8X080C16MP11	CF/CM/CU24C	1.00	1.01	0.90
TM8X080C16MP11	CF/CM/CU30C	1.00	1.02	0.90
TM8X080C16MP11	CF/CM/CU30D	1.00	1.02	0.90
TM8X100C16MP11	CF/CM/CU24C	1.00	1.01	0.90
TM8X100C16MP11	CF/CM/CU30C	1.00	1.02	0.90
TM8X100C16MP11	CF/CM/CU30D	1.00	1.02	0.90
TM8X100C20MP11	CF/CM/CU30C	1.00	1.02	0.94
TM8X100C20MP11	CF/CM/CU30D	1.00	1.02	0.94
TM8X120C20MP11	CF/CM/CU30C	1.00	1.02	0.94
TM8X120C20MP11	CF/CM/CU30D	1.00	1.02	0.94
TM8Y060A12MP11	CF/CM/CU24A	1.00	1.00	0.92
TM8Y060A12MP11	CF/CM/CU30A	1.02	1.05	0.92
TM8Y080B12MP11	CF/CM/CU24B	1.02	1.04	0.94
TM8Y080B12MP11	CF/CM/CU30B	1.02	1.05	0.92
TM8Y080C16MP11	CF/CM/CU24C	1.00	1.01	0.90
TM8Y080C16MP11	CF/CM/CU30C	1.00	1.02	0.90
TM8Y080C16MP11	CF/CM/CU30D	1	1.02	0.9
TM8Y100C16MP11	CF/CM/CU24C	1.00	1.01	0.90
TM8Y100C16MP11	CF/CM/CU30C	1.00	1.02	0.90
TM8Y100C16MP11	CF/CM/CU30D	1.00	1.02	0.90
TM8Y100C20MP11	CF/CM/CU30C	1.00	1.02	0.94
TM8Y100C20MP11	CF/CM/CU30D	1.00	1.02	0.94
TM8Y120C20MP11	CF/CM/CU30C	1.00	1.02	0.94
TM8Y120C20MP11	CF/CM/CU30D	1.00	1.02	0.94
TM9E040A10MP11	CF/CM/CU24A	1.01	1.02	0.97
TM9E040A10MP11	CF/CM/CU30A	1.01	1.04	0.93
TM9E060B12MP11	CF/CM/CU24B	1.01	1.02	0.93
TM9E060B12MP11	CF/CM/CU30B	1.01	1.04	0.91
TM9E080B12MP11	CF/CM/CU24B	1.01	1.02	0.93
TM9E080B12MP11	CF/CM/CU30B	1.01	1.04	0.91
TM9E080C16MP11	CF/CM/CU24C	1.01	1.03	0.91
TM9E080C16MP11	CF/CM/CU30C	1.01	1.04	0.91
TM9E100C16MP11	CF/CM/CU24C	1.01	1.03	0.91
TM9E100C16MP11	CF/CM/CU30C	1.01	1.04	0.91
TM9E100C20MP11	CF/CM/CU24C	1.00	1.01	0.94
TM9E100C20MP11	CF/CM/CU30C	1.00	1.02	0.90
TM9E100C20MP11	CF/CM/CU30D	1.00	1.02	0.90
TM9E120D20MP11	CF/CM/CU30D	1.00	1.02	0.89



**FURNACE MULTIPLIERS - 2 TON (Continued)**

Furnaces	Coil	T.C.	S.C.	KW
TM9V040A10MP11	CF/CM/CU24A	1.01	1.02	1.01
TM9V040A10MP11	CF/CM/CU30A	1.02	1.04	0.96
TM9V060B12MP11	CF/CM/CU24B	1.00	1.01	0.89
TM9V060B12MP11	CF/CM/CU30B	1.03	1.06	0.93
TM9V080B12MP11	CF/CM/CU24B	1.00	1.01	0.89
TM9V080B12MP11	CF/CM/CU30B	1.03	1.06	0.93
TM9Y040A10MP11	CF/CM/CU24A	1.01	1.02	0.97
TM9Y040A10MP11	CF/CM/CU30A	1.01	1.04	0.93
TM9Y060B12MP11	CF/CM/CU24B	1.01	1.02	0.93
TM9Y060B12MP11	CF/CM/CU30B	1.01	1.04	0.91
TM9Y080B12MP11	CF/CM/CU24B	1.01	1.02	0.93
TM9Y080B12MP11	CF/CM/CU30B	1.01	1.04	0.91
TM9Y080C16MP11	CF/CM/CU24C	1.01	1.03	0.91
TM9Y080C16MP11	CF/CM/CU30C	1.01	1.04	0.91
TM9Y100C16MP11	CF/CM/CU24C	1.01	1.03	0.91
TM9Y100C16MP11	CF/CM/CU30C	1.01	1.04	0.91
TM9Y100C20MP11	CF/CM/CU24C	1.00	1.01	0.94
TM9Y100C20MP11	CF/CM/CU30C	1.00	1.02	0.90
TM9Y100C20MP11	CF/CM/CU30D	1.00	1.02	0.90
TM9Y120D20MP11	CF/CM/CU30D	1.00	1.02	0.89
TMLV060A12MP11	CF/CM/CU24A	1.02	1.03	0.97
TMLV060A12MP11	CF/CM/CU30A	1.02	1.04	0.92
TMLV080B12MP11	CF/CM/CU24B	1.03	1.04	0.96
TMLV080B12MP11	CF/CM/CU30B	1.00	1.03	0.90
TMLX060A12MP11	CF/CM/CU24A	1.00	1.00	0.92
TMLX060A12MP11	CF/CM/CU30A	1.02	1.05	0.92
TMLX080B12MP11	CF/CM/CU24B	1.02	1.04	0.94
TMLX080B12MP11	CF/CM/CU30B	1.02	1.05	0.92

**FURNACE MULTIPLIERS - 2 TON (Continued)**

Furnaces	Coil	T.C.	S.C.	KW
TMLX080C16MP11	CF/CM/CU24C	1.00	1.01	0.90
TMLX080C16MP11	CF/CM/CU30C	1.00	1.02	0.90
TMLX080C16MP11	CF/CM/CU30D	1.00	1.02	0.90
TMLX100C16MP11	CF/CM/CU24C	1.00	1.01	0.90
TMLX100C16MP11	CF/CM/CU30C	1.00	1.02	0.90
TMLX100C16MP11	CF/CM/CU30D	1.00	1.02	0.90
TMLX100C20MP11	CF/CM/CU30C	1.00	1.02	0.94
TMLX100C20MP11	CF/CM/CU30D	1.00	1.02	0.94
TMLX120C20MP11	CF/CM/CU30C	1.00	1.02	0.94
TMLX120C20MP11	CF/CM/CU30D	1.00	1.02	0.94
TP9C060B12MP11	CF/CM/CU24B	1.00	1.01	0.89
TP9C060B12MP11	CF/CM/CU30B	1.03	1.06	0.93
TP9C080B12MP11	CF/CM/CU24B	1.00	1.01	0.89
TP9C080B12MP11	CF/CM/CU30B	1.03	1.06	0.93
TPLC060A12MP11	CF/CM/CU24A	1.02	1.03	0.97
TPLC060A12MP11	CF/CM/CU30A	1.02	1.04	0.92
TPLC080B12MP11	CF/CM/CU24B	1.03	1.04	0.96
TPLC080B12MP11	CF/CM/CU30B	1.00	1.03	0.90
YP9C060B12MP11	CF/CM/CU24B	1.00	1.01	0.89
YP9C060B12MP11	CF/CM/CU30B	1.03	1.06	0.93
YP9C080B12MP11	CF/CM/CU24B	1.00	1.01	0.89
YP9C080B12MP11	CF/CM/CU30B	1.03	1.06	0.93
YPLC060A12MP11	CF/CM/CU24A	1.02	1.03	0.97
YPLC060A12MP11	CF/CM/CU30A	1.02	1.04	0.92
YPLC080B12MP11	CF/CM/CU24B	1.03	1.04	0.96
YPLC080B12MP11	CF/CM/CU30B	1.00	1.03	0.90

HEATING PERFORMANCE DATA										
CONDENSING UNIT MODEL NO		YHE24B21S								
AIR TEMP. ENTERING OUTDOOR UNIT (°F)	AIR TEMP. ENTERING INDOOR COIL (°F)	ID CFM								
		600			800			1000		
		MBH	COP	KW	MBH	COP	KW	MBH	COP	KW
60	60	29.5	3.98	2.17	30.4	4.33	2.06	31.4	4.69	1.96
	70	28.6	3.51	2.39	29.7	3.82	2.28	30.8	4.17	2.16
	80	27.8	3.11	2.62	29.0	3.41	2.49	30.1	3.74	2.36
47	60	25.1	3.56	2.06	26.0	3.83	1.99	26.9	4.13	1.91
	70	24.3	3.13	2.28	25.2	3.36	2.20	26.1	3.60	2.12
	80	23.6	2.76	2.51	24.4	2.97	2.41	25.3	3.19	2.32
40	60	22.7	3.33	2.00	23.4	3.51	1.95	24.0	3.73	1.89
	70	22.1	2.91	2.22	22.8	3.11	2.15	23.5	3.29	2.09
	80	21.4	2.57	2.44	22.2	2.75	2.36	23.0	2.95	2.28
30	60	19.8	2.98	1.94	20.2	3.12	1.90	20.7	3.25	1.87
	70	19.2	2.62	2.15	19.7	2.74	2.10	20.1	2.87	2.05
	80	18.7	2.33	2.36	19.1	2.43	2.30	19.4	2.54	2.24
17	60	15.3	2.44	1.83	15.9	2.54	1.83	16.5	2.64	1.83
	70	14.7	2.12	2.03	15.2	2.21	2.01	15.7	2.30	1.99
	80	14.1	1.86	2.23	14.5	1.93	2.19	14.8	2.01	2.16
10	60	13.4	2.21	1.78	14.0	2.29	1.79	14.63	2.39	1.79
	70	13.0	1.94	1.97	13.5	2.01	1.97	14.0	2.09	1.96
	80	12.7	1.71	2.17	13.0	1.77	2.15	13.3	1.83	2.13

**NOTE:** ALL CAPACITIES INCLUDE INDOOR FAN HEAT. KW VALUES ARE FOR THE SYSTEM (OUTDOOR + INDOOR).

Yellow shaded cells are AHRI High Heating conditions.

Orange shaded cells are AHRI Low Heating conditions.

**Multipliers for determining the performance with other indoor sections.**

#### COIL MULTIPLIERS - 2 TON

Air Handler	Coil	MBH	COP	KW
–	CF/CM/CU24A	0.95	1.04	0.91
–	CF/CM/CU24B	0.95	1.04	0.91
–	CF/CM/CU24C	0.95	1.04	0.91
–	CF/CM/CU30B	0.95	1.10	0.86
–	CF/CM/CU30C	0.95	1.10	0.86
–	CF/CM/CU30D	0.95	1.10	0.86
AE24BX21	–	0.95	1.11	0.86
AE30BX21	–	0.95	1.18	0.81
AP24BX21	–	0.95	1.04	0.91
AP30BX21	–	0.95	1.13	0.84
AVC24BX21	–	0.98	1.10	0.88
AVC30BX21	–	0.96	1.18	0.81
ME08BN21	CF/CM24B	0.95	1.11	0.86
ME08BN21	CF/CM30B	0.95	1.18	0.80
ME12BN21	CF/CM24B	0.95	1.10	0.86
ME12BN21	CF/CM30B	0.95	1.18	0.81
ME14DN21	CF/CM30D	0.95	1.15	0.82
ME16CN21	CF/CM24C	0.94	1.05	0.90
MVC08BN21	CF/CM24B	0.95	1.11	0.86
MVC08BN21	CF/CM30B	0.97	1.18	0.82
MVC12BN21	CF/CM24B	0.95	1.10	0.86
MVC12BN21	CF/CM30B	0.97	1.19	0.82
MVC14DN21	CF/CM30D	0.95	1.20	0.79

## FURNACE MULTIPLIERS - 2 TON

Furnaces	Coil	MBH	COP	KW
TM8V060A12MP11	CF/CM/CU24A	0.97	1.08	0.89
TM8V060A12MP11	CF/CM/CU30A	0.97	1.15	0.83
TM8V080B12MP11	CF/CM/CU24B	0.97	1.09	0.89
TM8V080B12MP11	CF/CM/CU30B	0.95	1.15	0.82
TM8X060A12MP11	CF/CM/CU24A	0.95	1.10	0.86
TM8X060A12MP11	CF/CM/CU30A	0.97	1.18	0.82
TM8X080B12MP11	CF/CM/CU24B	0.97	1.10	0.87
TM8X080B12MP11	CF/CM/CU30B	0.97	1.18	0.81
TM8X080C16MP11	CF/CM/CU24C	0.95	1.11	0.85
TM8X080C16MP11	CF/CM/CU30C	0.95	1.19	0.80
TM8X080C16MP11	CF/CM/CU30D	0.95	1.19	0.80
TM8X100C16MP11	CF/CM/CU24C	0.95	1.11	0.85
TM8X100C16MP11	CF/CM/CU30C	0.95	1.19	0.80
TM8X100C16MP11	CF/CM/CU30D	0.95	1.19	0.80
TM8X100C20MP11	CF/CM/CU30C	0.95	1.13	0.84
TM8X100C20MP11	CF/CM/CU30D	0.95	1.13	0.84
TM8X120C20MP11	CF/CM/CU30C	0.95	1.13	0.84
TM8X120C20MP11	CF/CM/CU30D	0.95	1.13	0.84
TM8Y060A12MP11	CF/CM/CU24A	0.95	1.10	0.86
TM8Y060A12MP11	CF/CM/CU30A	0.97	1.18	0.82
TM8Y080B12MP11	CF/CM/CU24B	0.97	1.10	0.87
TM8Y080B12MP11	CF/CM/CU30B	0.97	1.18	0.81
TM8Y080C16MP11	CF/CM/CU24C	0.95	1.11	0.85
TM8Y080C16MP11	CF/CM/CU30C	0.95	1.19	0.80
TM8Y080C16MP11	CF/CM/CU30D	0.95	1.19	0.80
TM8Y100C16MP11	CF/CM/CU24C	0.95	1.11	0.85
TM8Y100C16MP11	CF/CM/CU30C	0.95	1.19	0.80
TM8Y100C16MP11	CF/CM/CU30D	0.95	1.19	0.80
TM8Y100C20MP11	CF/CM/CU30C	0.95	1.13	0.84
TM8Y100C20MP11	CF/CM/CU30D	0.95	1.13	0.84
TM8Y120C20MP11	CF/CM/CU30C	0.95	1.13	0.84
TM8Y120C20MP11	CF/CM/CU30D	0.95	1.13	0.84
TM9E040A10MP11	CF/CM/CU24A	0.96	1.07	0.89
TM9E040A10MP11	CF/CM/CU30A	0.96	1.15	0.83
TM9E060B12MP11	CF/CM/CU24B	0.96	1.11	0.87
TM9E060B12MP11	CF/CM/CU30B	0.96	1.18	0.81
TM9E080B12MP11	CF/CM/CU24B	0.96	1.11	0.87
TM9E080B12MP11	CF/CM/CU30B	0.96	1.18	0.81
TM9E080C16MP11	CF/CM/CU24C	0.96	1.11	0.86
TM9E080C16MP11	CF/CM/CU30C	0.96	1.19	0.80
TM9E100C16MP11	CF/CM/CU24C	0.96	1.11	0.86
TM9E100C16MP11	CF/CM/CU30C	0.96	1.19	0.80
TM9E100C20MP11	CF/CM/CU24C	0.95	1.08	0.88
TM9E100C20MP11	CF/CM/CU30C	0.95	1.15	0.83
TM9E100C20MP11	CF/CM/CU30D	0.95	1.15	0.83
TM9E120D20MP11	CF/CM/CU30D	0.95	1.16	0.82
TM9V040A10MP11	CF/CM/CU24A	0.97	1.06	0.91
TM9V040A10MP11	CF/CM/CU30A	0.97	1.13	0.85
TM9V060B12MP11	CF/CM/CU24B	0.95	1.12	0.85
TM9V060B12MP11	CF/CM/CU30B	0.98	1.16	0.84
TM9V080B12MP11	CF/CM/CU24B	0.95	1.12	0.85

## FURNACE MULTIPLIERS - 2 TON (Continued)

Furnaces	Coil	MBH	COP	KW
TM9V080B12MP11	CF/CM/CU30B	0.98	1.16	0.84
TM9Y040A10MP11	CF/CM/CU24A	0.96	1.07	0.89
TM9Y040A10MP11	CF/CM/CU30A	0.96	1.15	0.83
TM9Y060B12MP11	CF/CM/CU24B	0.96	1.11	0.87
TM9Y060B12MP11	CF/CM/CU30B	0.96	1.18	0.81
TM9Y080B12MP11	CF/CM/CU24B	0.96	1.11	0.87
TM9Y080B12MP11	CF/CM/CU30B	0.96	1.18	0.81
TM9Y080C16MP11	CF/CM/CU24C	0.96	1.11	0.86
TM9Y080C16MP11	CF/CM/CU30C	0.96	1.19	0.80
TM9Y100C16MP11	CF/CM/CU24C	0.96	1.11	0.86
TM9Y100C16MP11	CF/CM/CU30C	0.96	1.19	0.80
TM9Y100C20MP11	CF/CM/CU24C	0.95	1.08	0.88
TM9Y100C20MP11	CF/CM/CU30C	0.95	1.15	0.83
TM9Y100C20MP11	CF/CM/CU30D	0.95	1.15	0.83
TM9Y120D20MP11	CF/CM/CU30D	0.95	1.16	0.82
TMLV060A12MP11	CF/CM/CU24A	0.97	1.08	0.89
TMLV060A12MP11	CF/CM/CU30A	0.97	1.15	0.83
TMLV080B12MP11	CF/CM/CU24B	0.97	1.09	0.89
TMLV080B12MP11	CF/CM/CU30B	0.95	1.15	0.82
TMLX060A12MP11	CF/CM/CU24A	0.95	1.10	0.86
TMLX060A12MP11	CF/CM/CU30A	0.97	1.18	0.82
TMLX080B12MP11	CF/CM/CU24B	0.97	1.10	0.87
TMLX080B12MP11	CF/CM/CU30B	0.97	1.18	0.81
TMLX080C16MP11	CF/CM/CU24C	0.95	1.11	0.85
TMLX080C16MP11	CF/CM/CU30C	0.95	1.19	0.80
TMLX080C16MP11	CF/CM/CU30D	0.95	1.19	0.80
TMLX100C16MP11	CF/CM/CU24C	0.95	1.11	0.85
TMLX100C16MP11	CF/CM/CU30C	0.95	1.19	0.80
TMLX100C16MP11	CF/CM/CU30D	0.95	1.19	0.80
TMLX100C20MP11	CF/CM/CU30C	0.95	1.13	0.84
TMLX100C20MP11	CF/CM/CU30D	0.95	1.13	0.84
TMLX120C20MP11	CF/CM/CU30C	0.95	1.13	0.84
TMLX120C20MP11	CF/CM/CU30D	0.95	1.13	0.84
TP9C060B12MP11	CF/CM/CU24B	0.95	1.12	0.85
TP9C060B12MP11	CF/CM/CU30B	0.98	1.16	0.84
TP9C080B12MP11	CF/CM/CU24B	0.95	1.12	0.85
TP9C080B12MP11	CF/CM/CU30B	0.98	1.16	0.84
TPLC060A12MP11	CF/CM/CU24A	0.97	1.08	0.89
TPLC060A12MP11	CF/CM/CU30A	0.97	1.15	0.83
TPLC080B12MP11	CF/CM/CU24B	0.97	1.09	0.89
TPLC080B12MP11	CF/CM/CU30B	0.95	1.15	0.82
YP9C060B12MP11	CF/CM/CU24B	0.95	1.12	0.85
YP9C060B12MP11	CF/CM/CU30B	0.98	1.16	0.84
YP9C080B12MP11	CF/CM/CU24B	0.95	1.12	0.85
YP9C080B12MP11	CF/CM/CU30B	0.98	1.16	0.84
YPLC060A12MP11	CF/CM/CU24A	0.97	1.08	0.89
YPLC060A12MP11	CF/CM/CU30A	0.97	1.15	0.83
YPLC080B12MP11	CF/CM/CU24B	0.97	1.09	0.89
YPLC080B12MP11	CF/CM/CU30B	0.95	1.15	0.82

## PERFORMANCE DATA - 2.5 TON

CONDENSER-ONLY DATA (OUTDOOR UNIT)																
MODEL	SATURATED SUCTION @ COMPRESSOR		Outdoor Ambient Temperature													
			65 °F		75 °F		85 °F		95 °F		105 °F		115 °F		125 °F	
	T (°F)	P (PSIG)	MBH	KW	MBH	KW	MBH	KW	MBH	KW	MBH	KW	MBH	KW	MBH	KW
YHE30B21S	35	107	26.6	1.45	24.8	1.62	23.0	1.79	21.2	1.95	19.4	2.12	17.6	2.29	15.8	2.46
	40	119	30.0	1.43	28.0	1.61	26.0	1.80	23.9	1.98	21.9	2.16	19.9	2.35	17.9	2.53
	45	130	33.4	1.41	31.1	1.61	28.9	1.81	26.7	2.01	24.5	2.20	22.2	2.40	20.0	2.60
	50	143	36.7	1.39	34.3	1.60	31.9	1.82	29.4	2.03	27.0	2.25	24.5	2.46	22.1	2.67
	55	156	40.1	1.37	37.5	1.60	34.8	1.83	32.2	2.06	29.5	2.29	26.9	2.52	24.2	2.74

## Notes:

- For Outdoor Unit (Condenser) performance only. Data does not include the effects of air handler power or heat.
- Performance based on 15°F subcooling and 15°F superheat at the Outdoor Unit base valves.
  - Increase capacity by 1% for each 2°F increase in subcooling.
  - Decrease capacity by 1% for each 2°F decrease in subcooling.
- Maximum recommended condensing temperature is 140°F.

COOLING PERFORMANCE DATA																	
AIR CONDITIONER MODEL NO.		YHE30B21S															
AIR TEMP. ENTERING OUTDOOR UNIT (°F)	IDCFM	800					1000					1200					
		ID DB (°F)	80	80	75	80	80	80	80	75	80	80	80	80	75	80	80
		ID WB (°F)	57	62	62	67	72	57	62	62	67	72	57	62	62	67	72
65	T.C.	27.2	29.1	29.5	31.1	32.4	28.4	29.5	29.7	31.3	32.2	29.7	29.9	29.9	31.4	32.1	
	S.C.	27.0	24.3	21.0	19.8	15.4	28.2	26.0	22.4	21.0	15.9	29.5	27.8	23.7	22.2	16.5	
	KW	1.75	1.76	1.77	1.77	1.77	1.83	1.84	1.84	1.84	1.85	1.90	1.91	1.91	1.92	1.92	
75	T.C.	26.9	28.3	28.8	31.6	34.0	28.5	29.2	29.4	32.1	34.0	30.0	30.0	29.9	32.6	34.0	
	S.C.	26.6	24.3	20.9	20.7	16.3	28.2	26.9	23.0	22.7	17.3	29.8	29.5	25.0	24.6	18.2	
	KW	1.91	1.93	1.93	1.93	1.92	1.98	2.00	2.00	2.00	2.00	2.06	2.07	2.07	2.08	2.08	
85	T.C.	25.7	27.0	27.2	30.1	32.9	27.2	27.8	27.8	30.6	33.1	28.7	28.6	28.4	31.0	33.4	
	S.C.	25.5	23.5	20.0	20.1	15.9	27.0	25.9	22.1	22.1	17.1	28.6	28.4	24.2	24.1	18.2	
	KW	2.12	2.14	2.13	2.13	2.12	2.19	2.21	2.21	2.21	2.20	2.26	2.27	2.28	2.28	2.27	
95	T.C.	24.5	25.7	25.6	28.6	31.7	26.0	26.5	26.3	29.0	32.3	27.4	27.2	26.9	29.4	32.8	
	S.C.	24.3	22.7	19.1	19.5	15.5	25.8	25.0	21.2	21.5	16.9	27.3	27.2	23.3	23.5	18.2	
	KW	2.34	2.35	2.34	2.34	2.33	2.40	2.42	2.41	2.41	2.40	2.47	2.48	2.49	2.48	2.47	
105	T.C.	23.2	24.1	24.0	26.8	29.7	24.5	24.9	24.5	27.2	30.1	25.8	25.7	25.1	27.5	30.6	
	S.C.	23.0	21.9	18.2	18.8	14.8	24.4	23.8	20.3	20.8	16.1	25.7	25.7	22.3	22.8	17.4	
	KW	2.65	2.66	2.65	2.65	2.63	2.71	2.72	2.72	2.72	2.70	2.77	2.78	2.79	2.79	2.77	
115	T.C.	21.9	22.6	22.4	25.1	27.7	23.1	23.4	22.9	25.4	28.1	24.3	24.2	23.3	25.7	28.4	
	S.C.	21.7	21.0	17.4	18.0	14.1	23.0	22.6	19.4	20.1	15.4	24.2	24.2	21.4	22.2	16.7	
	KW	2.95	2.95	2.95	2.95	2.93	3.01	3.02	3.02	3.01	2.99	3.07	3.08	3.09	3.08	3.06	
125	T.C.	20.6	21.1	20.8	23.4	25.8	21.7	21.9	21.2	23.7	26.1	22.8	22.7	21.6	23.9	26.3	
	S.C.	20.4	20.2	16.5	17.3	13.4	21.6	21.5	18.5	19.4	14.7	22.7	22.7	20.5	21.5	15.9	
	KW	3.24	3.25	3.25	3.24	3.22	3.31	3.31	3.32	3.31	3.29	3.37	3.37	3.38	3.38	3.35	

**NOTE:** ALL CAPACITIES INCLUDE INDOOR FAN HEAT. KW VALUES ARE FOR THE SYSTEM (OUTDOOR + INDOOR).

Green shaded cells are ACCA (TVA) conditions.

Blue shaded cells are AHRI conditions.

## Multipliers for determining the performance with other indoor sections.

**NOTE:** For dry bulb temperatures different than those listed (between 73-87 °F), sensible capacity increases by 1060 BTUH per 1000 CFM per degree above the listed temperature and decreases by 1060 BTUH per 1000 CFM per degree below the listed temperature.

**COIL MULTIPLIERS - 2.5 TON**

Air Handler	Coil	T.C.	S.C.	KW
-	CF/CM/CU36B	1.00	1.00	1.00
-	CF/CM/CU36C	1.00	1.00	1.00
-	CF/CM/CU36D	1.00	1.00	1.00
-	CF/CM/CU42C	1.01	1.01	1.02
-	CF/CM/CU42D	1.01	1.01	1.02
-	CF/CM36A	0.99	0.99	1.00
AE30BX21	-	0.98	0.99	1.00
AE36BX21	-	1.02	1.02	0.93
AE36CX21	-	1.02	1.03	0.91
AE42CX21	-	1.03	1.04	0.92
AP30BX21	-	0.99	0.99	1.00
AP36BX21	-	1.00	1.00	1.00
AVC30BX21	-	0.98	0.99	1.00
AVC36BX21	-	1.02	1.03	0.92
AVC36CX21	-	1.03	1.03	0.91
AVC42CX21	-	1.02	1.03	0.91
ME12BN21	CF/CM36B	1.01	1.02	0.96
ME12BN21	CF42B	1.04	1.04	0.96
ME14DN21	CF/CM36D	1.02	1.03	0.94
ME14DN21	CF/CM42D	1.03	1.04	0.96
ME16CN21	CF/CM36C	1.01	1.01	0.98
ME16CN21	CF/CM42C	1.03	1.02	0.99
MVC08BN21	CF42B	1.03	1.04	0.97
MVC12BN21	CF/CM36B	1.01	1.02	0.98
MVC12BN21	CF42B	1.04	1.04	0.98
MVC14DN21	CF/CM36D	1.02	1.03	0.95
MVC14DN21	CF/CM42D	1.03	1.04	0.96

**FURNACE MULTIPLIERS - 2.5 TON**

Furnaces	Coil	T.C.	S.C.	KW
TM8V060A12MP11	CF/CM36A	1.00	1.01	0.99
TM8V080B12MP11	CF/CM/CU36B	1.01	1.01	0.97
TM8V080B12MP11	CF42B	1.03	1.02	0.99
TM8V080C16MP11	CF/CM/CU36C	1.01	1.00	0.95
TM8V080C16MP11	CF/CM/CU42C	1.04	1.04	0.97
TM8V100C16MP11	CF/CM/CU36C	1.01	1.00	0.95
TM8V100C16MP11	CF/CM/CU42C	1.04	1.04	0.97
TM8X060A12MP11	CF/CM36A	1.01	1.01	0.97
TM8X080B12MP11	CF/CM/CU36B	1.01	1.02	0.96
TM8X080B12MP11	CF42B	1.03	1.03	0.97
TM8X080C16MP11	CF/CM/CU36C	1.01	1.02	0.96
TM8X080C16MP11	CF/CM/CU36D	1.02	1.02	0.96
TM8X080C16MP11	CF/CM/CU42C	1.03	1.03	0.96
TM8X080C16MP11	CF/CM/CU42D	1.03	1.03	0.96
TM8X100C16MP11	CF/CM/CU36C	1.01	1.02	0.96
TM8X100C16MP11	CF/CM/CU36D	1.02	1.02	0.96
TM8X100C16MP11	CF/CM/CU42C	1.03	1.03	0.96
TM8X100C16MP11	CF/CM/CU42D	1.03	1.03	0.96
TM8X100C20MP11	CF/CM/CU36C	1.01	1.02	0.96
TM8X100C20MP11	CF/CM/CU36D	1.02	1.02	0.96
TM8X100C20MP11	CF/CM/CU42C	1.03	1.03	0.96
TM8X100C20MP11	CF/CM/CU42D	1.03	1.03	0.96
TM8X120C20MP11	CF/CM/CU36C	1.01	1.02	0.96
TM8X120C20MP11	CF/CM/CU36D	1.02	1.02	0.96
TM8X120C20MP11	CF/CM/CU42C	1.03	1.03	0.96
TM8X120C20MP11	CF/CM/CU42D	1.03	1.03	0.96
TM8Y060A12MP11	CF/CM36A	1.01	1.01	0.97
TM8Y080B12MP11	CF/CM/CU36B	1.01	1.02	0.96
TM8Y080B12MP11	CF42B	1.03	1.03	0.97
TM8Y080C16MP11	CF/CM/CU36C	1.01	1.02	0.96
TM8Y080C16MP11	CF/CM/CU36D	1.02	1.02	0.96
TM8Y080C16MP11	CF/CM/CU42C	1.03	1.03	0.96
TM8Y080C16MP11	CF/CM/CU42D	1.03	1.03	0.96
TM8Y100C16MP11	CF/CM/CU36C	1.01	1.02	0.96
TM8Y100C16MP11	CF/CM/CU36D	1.02	1.02	0.96
TM8Y100C16MP11	CF/CM/CU42C	1.03	1.03	0.96
TM8Y100C16MP11	CF/CM/CU42D	1.03	1.03	0.96
TM8Y100C20MP11	CF/CM/CU36C	1.01	1.02	0.96
TM8Y100C20MP11	CF/CM/CU36D	1.02	1.02	0.96
TM8Y100C20MP11	CF/CM/CU42C	1.03	1.03	0.96
TM8Y100C20MP11	CF/CM/CU42D	1.03	1.03	0.96
TM8Y120C20MP11	CF/CM/CU36C	1.01	1.02	0.96
TM8Y120C20MP11	CF/CM/CU36D	1.02	1.02	0.96
TM8Y120C20MP11	CF/CM/CU42C	1.03	1.03	0.96
TM8Y120C20MP11	CF/CM/CU42D	1.03	1.03	0.96
TM9E040A10MP11	CF/CM36A	1.00	1.01	0.99
TM9E060B12MP11	CF/CM/CU36B	1.01	1.00	0.96
TM9E060B12MP11	CF42B	1.04	1.03	0.97
TM9E080B12MP11	CF/CM/CU36B	1.01	1.00	0.96
TM9E080B12MP11	CF42B	1.04	1.03	0.97
TM9E080C16MP11	CF/CM/CU36C	1.01	1.01	0.98
TM9E080C16MP11	CF/CM/CU36D	1.01	1.02	0.98
TM9E080C16MP11	CF/CM/CU42C	1.03	1.03	0.97
TM9E080C16MP11	CF/CM/CU42D	1.03	1.03	0.97
TM9E100C16MP11	CF/CM/CU36C	1.01	1.01	0.98

## FURNACE MULTIPLIERS - 2.5 TON (Continued)

Furnaces	Coil	T.C.	S.C.	KW
TM9E100C16MP11	CF/CM/CU36D	1.01	1.02	0.98
TM9E100C16MP11	CF/CM/CU42C	1.03	1.03	0.97
TM9E100C16MP11	CF/CM/CU42D	1.03	1.03	0.97
TM9E100C20MP11	CF/CM/CU36C	1.02	1.03	0.94
TM9E100C20MP11	CF/CM/CU36D	1.02	1.03	0.94
TM9E100C20MP11	CF/CM/CU42C	1.04	1.05	0.96
TM9E100C20MP11	CF/CM/CU42D	1.04	1.05	0.96
TM9E120D20MP11	CF/CM/CU36D	1.02	1.03	0.95
TM9E120D20MP11	CF/CM/CU42D	1.04	1.05	0.96
TM9V060B12MP11	CF/CM/CU36B	1.01	1.02	0.98
TM9V060B12MP11	CF42B	1.04	1.03	0.97
TM9V080B12MP11	CF/CM/CU36B	1.01	1.02	0.98
TM9V080B12MP11	CF42B	1.04	1.03	0.97
TM9V080C16MP11	CF/CM/CU36C	1.02	1.03	0.94
TM9V080C16MP11	CF/CM/CU42C	1.04	1.04	0.96
TM9V100C16MP11	CF/CM/CU36C	1.02	1.03	0.94
TM9V100C16MP11	CF/CM/CU42C	1.04	1.04	0.96
TM9V100C20MP11	CF/CM/CU36C	1.00	1.02	0.96
TM9V120D20MP11	CF/CM/CU36D	1.03	1.03	0.94
TM9V120D20MP11	CF/CM/CU42D	1.03	1.03	0.94
TM9Y040A10MP11	CF/CM36A	1.00	1.01	0.99
TM9Y060B12MP11	CF/CM/CU36B	1.01	1.00	0.96
TM9Y060B12MP11	CF42B	1.04	1.03	0.97
TM9Y080B12MP11	CF/CM/CU36B	1.01	1.00	0.96
TM9Y080B12MP11	CF42B	1.04	1.03	0.97
TM9Y080C16MP11	CF/CM/CU36C	1.01	1.01	0.98
TM9Y080C16MP11	CF/CM/CU36D	1.01	1.02	0.98
TM9Y080C16MP11	CF/CM/CU42C	1.03	1.03	0.97
TM9Y080C16MP11	CF/CM/CU42D	1.03	1.03	0.97
TM9Y100C16MP11	CF/CM/CU36C	1.01	1.01	0.98
TM9Y100C16MP11	CF/CM/CU36D	1.01	1.02	0.98
TM9Y100C16MP11	CF/CM/CU42C	1.03	1.03	0.97
TM9Y100C16MP11	CF/CM/CU42D	1.03	1.03	0.97
TM9Y100C20MP11	CF/CM/CU36C	1.02	1.03	0.94
TM9Y100C20MP11	CF/CM/CU36D	1.02	1.03	0.94
TM9Y100C20MP11	CF/CM/CU42C	1.04	1.05	0.96
TM9Y100C20MP11	CF/CM/CU42D	1.04	1.05	0.96
TM9Y120D20MP11	CF/CM/CU36D	1.02	1.03	0.95
TM9Y120D20MP11	CF/CM/CU42D	1.04	1.05	0.96
TMLV060A12MP11	CF/CM36A	1.00	1.01	0.99
TMLV080B12MP11	CF/CM/CU36B	1.01	1.01	0.97
TMLV080B12MP11	CF42B	1.03	1.02	0.99
TMLV080C16MP11	CF/CM/CU36C	1.01	1.00	0.95
TMLV080C16MP11	CF/CM/CU42C	1.04	1.04	0.97
TMLV100C16MP11	CF/CM/CU36C	1.01	1.00	0.95
TMLV100C16MP11	CF/CM/CU42C	1.04	1.04	0.97
TMLX060A12MP11	CF/CM36A	1.01	1.01	0.97
TMLX080B12MP11	CF/CM/CU36B	1.01	1.02	0.96
TMLX080B12MP11	CF42B	1.03	1.03	0.97
TMLX080C16MP11	CF/CM/CU36C	1.01	1.02	0.96
TMLX080C16MP11	CF/CM/CU36D	1.02	1.02	0.96
TMLX080C16MP11	CF/CM/CU42C	1.03	1.03	0.96

## FURNACE MULTIPLIERS - 2.5 TON (Continued)

Furnaces	Coil	T.C.	S.C.	KW
TMLX080C16MP11	CF/CM/CU42D	1.03	1.03	0.96
TMLX100C16MP11	CF/CM/CU36C	1.01	1.02	0.96
TMLX100C16MP11	CF/CM/CU36D	1.02	1.02	0.96
TMLX100C16MP11	CF/CM/CU42C	1.03	1.03	0.96
TMLX100C16MP11	CF/CM/CU42D	1.03	1.03	0.96
TMLX100C20MP11	CF/CM/CU36C	1.01	1.02	0.96
TMLX100C20MP11	CF/CM/CU36D	1.02	1.02	0.96
TMLX100C20MP11	CF/CM/CU42C	1.03	1.03	0.96
TMLX100C20MP11	CF/CM/CU42D	1.03	1.03	0.96
TMLX120C20MP11	CF/CM/CU36C	1.01	1.02	0.96
TMLX120C20MP11	CF/CM/CU36D	1.02	1.02	0.96
TMLX120C20MP11	CF/CM/CU42C	1.03	1.03	0.96
TMLX120C20MP11	CF/CM/CU42D	1.03	1.03	0.96
TP9C060B12MP11	CF/CM/CU36B	1.01	1.02	0.98
TP9C060B12MP11	CF42B	1.04	1.03	0.97
TP9C080B12MP11	CF/CM/CU36B	1.01	1.02	0.98
TP9C080B12MP11	CF42B	1.04	1.03	0.97
TP9C080C16MP11	CF/CM/CU36C	1.02	1.03	0.94
TP9C080C16MP11	CF/CM/CU42C	1.04	1.04	0.96
TP9C100C16MP11	CF/CM/CU36C	1.02	1.03	0.94
TP9C100C16MP11	CF/CM/CU42C	1.04	1.04	0.96
TP9C100C20MP11	CF/CM/CU36C	1.00	1.02	0.96
TP9C120D20MP11	CF/CM/CU36D	1.03	1.03	0.94
TP9C120D20MP11	CF/CM/CU42D	1.03	1.03	0.94
TPLC060A12MP11	CF/CM36A	1.00	1.01	0.99
TPLC080B12MP11	CF/CM/CU36B	1.01	1.01	0.97
TPLC080B12MP11	CF42B	1.03	1.02	0.99
TPLC080C16MP11	CF/CM/CU36C	1.01	1.00	0.95
TPLC080C16MP11	CF/CM/CU42C	1.04	1.04	0.97
TPLC100C16MP11	CF/CM/CU36C	1.01	1.00	0.95
TPLC100C16MP11	CF/CM/CU42C	1.04	1.04	0.97
YP9C060B12MP11	CF/CM/CU36B	1.01	1.02	0.98
YP9C060B12MP11	CF42B	1.04	1.03	0.97
YP9C080B12MP11	CF/CM/CU36B	1.01	1.02	0.98
YP9C080B12MP11	CF42B	1.04	1.03	0.97
YP9C080C16MP11	CF/CM/CU36C	1.02	1.03	0.94
YP9C080C16MP11	CF/CM/CU42C	1.04	1.04	0.96
YP9C100C16MP11	CF/CM/CU36C	1.02	1.03	0.94
YP9C100C16MP11	CF/CM/CU42C	1.04	1.04	0.96
YP9C100C20MP11	CF/CM/CU36C	1.00	1.02	0.96
YP9C120D20MP11	CF/CM/CU36D	1.03	1.03	0.94
YP9C120D20MP11	CF/CM/CU42D	1.03	1.03	0.94
YPLC060A12MP11	CF/CM36A	1.00	1.01	0.99
YPLC080B12MP11	CF/CM/CU36B	1.01	1.01	0.97
YPLC080B12MP11	CF42B	1.03	1.02	0.99
YPLC080C16MP11	CF/CM/CU36C	1.01	1.00	0.95
YPLC080C16MP11	CF/CM/CU42C	1.04	1.04	0.97
YPLC100C16MP11	CF/CM/CU36C	1.01	1.00	0.95
YPLC100C16MP11	CF/CM/CU42C	1.04	1.04	0.97

HEATING PERFORMANCE DATA										
CONDENSING UNIT MODEL NO			YHE30B21S							
AIR TEMP. ENTERING OUTDOOR UNIT (°F)	AIR TEMP. ENTERING INDOOR COIL (°F)	ID CFM								
		800			1000			1200		
		MBH	COP	KW	MBH	COP	KW	MBH	COP	KW
60	60	35.9	4.41	2.38	36.6	4.64	2.31	37.4	4.87	2.25
	70	35.1	3.93	2.61	35.8	4.13	2.54	36.5	4.33	2.47
	80	34.2	3.52	2.85	35.0	3.70	2.77	35.7	3.90	2.68
47	60	30.7	3.94	2.28	31.3	4.09	2.24	31.8	4.26	2.19
	70	30.2	3.53	2.50	30.7	3.67	2.45	31.2	3.81	2.40
	80	29.7	3.18	2.73	30.1	3.31	2.67	30.6	3.43	2.61
40	60	28.3	3.75	2.21	28.7	3.84	2.19	29.2	3.94	2.17
	70	27.8	3.32	2.45	28.2	3.43	2.41	28.7	3.53	2.38
	80	27.3	2.98	2.68	27.8	3.08	2.64	28.2	3.19	2.59
30	60	24.8	3.38	2.15	25.1	3.44	2.14	25.5	3.50	2.13
	70	24.4	3.02	2.37	24.8	3.09	2.35	25.1	3.14	2.34
	80	24.1	2.72	2.59	24.4	2.78	2.57	24.7	2.85	2.54
17	60	20.3	2.87	2.07	20.6	2.89	2.08	20.8	2.91	2.09
	70	19.8	2.55	2.28	20.1	2.58	2.28	20.3	2.61	2.28
	80	19.4	2.29	2.48	19.6	2.32	2.48	19.9	2.36	2.47
10	60	18.4	2.63	2.05	18.7	2.65	2.06	18.87	2.67	2.07
	70	18.2	2.36	2.26	18.4	2.39	2.26	18.7	2.42	2.26
	80	17.9	2.13	2.46	18.2	2.16	2.46	18.4	2.20	2.45

NOTE: ALL CAPACITIES INCLUDE INDOOR FAN HEAT. KW VALUES ARE FOR THE SYSTEM (OUTDOOR + INDOOR).

Yellow shaded cells are AHRI High Heating conditions.

Orange shaded cells are AHRI Low Heating conditions.

#### Multipliers for determining the performance with other indoor sections.

##### COIL MULTIPLIERS - 2.5 TON

Air Handler	Coil	MBH	COP	KW
–	CF/CM/CU36B	0.98	1.02	0.96
–	CF/CM/CU36C	0.98	1.02	0.96
–	CF/CM/CU36D	0.98	1.02	0.96
–	CF/CM/CU42C	0.98	1.02	0.96
–	CF/CM/CU42D	0.98	1.02	0.96
–	CF/CM36A	0.99	1.02	0.97
AE30BX21	–	0.98	1.02	0.96
AE36BX21	–	0.98	1.08	0.91
AE36CX21	–	0.98	1.09	0.90
AE42CX21	–	0.96	1.11	0.87
AP30BX21	–	0.98	1.02	0.96
AP36BX21	–	0.98	1.02	0.95
AVC30BX21	–	0.98	1.02	0.96
AVC36BX21	–	0.98	1.09	0.90

##### COIL MULTIPLIERS - 2.5 TON

Air Handler	Coil	MBH	COP	KW
AVC36CX21	–	0.97	1.11	0.88
AVC42CX21	–	0.97	1.11	0.87
ME12BN21	CF/CM36B	0.98	1.07	0.91
ME12BN21	CF42B	0.97	1.08	0.89
ME14DN21	CF/CM36D	0.98	1.10	0.89
ME14DN21	CF/CM42D	0.96	1.10	0.87
ME16CN21	CF/CM36C	0.98	1.05	0.93
ME16CN21	CF/CM42C	0.97	1.06	0.92
MVC08BN21	CF42B	0.97	1.07	0.91
MVC12BN21	CF/CM36B	0.98	1.06	0.92
MVC12BN21	CF42B	0.97	1.08	0.90
MVC14DN21	CF/CM36D	0.97	1.10	0.88
MVC14DN21	CF/CM42D	0.96	1.10	0.87

## FURNACE MULTIPLIERS - 2.5 TON

Furnaces	Coil	MBH	COP	KW
TM8V060A12MP11	CF/CM36A	0.98	1.04	0.94
TM8V080B12MP11	CF/CM/CU36B	0.98	1.05	0.93
TM8V080B12MP11	CF42B	0.98	1.05	0.93
TM8V080C16MP11	CF/CM/CU36C	0.98	1.07	0.91
TM8V080C16MP11	CF/CM/CU42C	0.96	1.08	0.89
TM8V100C16MP11	CF/CM/CU36C	0.98	1.07	0.91
TM8V100C16MP11	CF/CM/CU42C	0.96	1.08	0.89
TM8X060A12MP11	CF/CM36A	0.98	1.06	0.93
TM8X080B12MP11	CF/CM/CU36B	0.98	1.07	0.92
TM8X080B12MP11	CF42B	0.97	1.07	0.91
TM8X080C16MP11	CF/CM/CU36C	0.98	1.07	0.91
TM8X080C16MP11	CF/CM/CU36D	0.98	1.07	0.91
TM8X080C16MP11	CF/CM/CU42C	0.96	1.08	0.89
TM8X080C16MP11	CF/CM/CU42D	0.96	1.08	0.89
TM8X100C16MP11	CF/CM/CU36C	0.98	1.07	0.91
TM8X100C16MP11	CF/CM/CU36D	0.98	1.07	0.91
TM8X100C16MP11	CF/CM/CU42C	0.96	1.08	0.89
TM8X100C16MP11	CF/CM/CU42D	0.96	1.08	0.89
TM8X100C20MP11	CF/CM/CU36C	0.98	1.07	0.91
TM8X100C20MP11	CF/CM/CU36D	0.98	1.07	0.91
TM8X100C20MP11	CF/CM/CU42C	0.96	1.08	0.89
TM8X100C20MP11	CF/CM/CU42D	0.96	1.08	0.89
TM8X120C20MP11	CF/CM/CU36C	0.98	1.07	0.91
TM8X120C20MP11	CF/CM/CU36D	0.98	1.07	0.91
TM8X120C20MP11	CF/CM/CU42C	0.96	1.08	0.89
TM8X120C20MP11	CF/CM/CU42D	0.96	1.08	0.89
TM8Y060A12MP11	CF/CM36A	0.98	1.06	0.93
TM8Y080B12MP11	CF/CM/CU36B	0.98	1.07	0.92
TM8Y080B12MP11	CF42B	0.97	1.07	0.91
TM8Y080C16MP11	CF/CM/CU36C	0.98	1.07	0.91
TM8Y080C16MP11	CF/CM/CU36D	0.98	1.07	0.91
TM8Y080C16MP11	CF/CM/CU42C	0.96	1.08	0.89
TM8Y080C16MP11	CF/CM/CU42D	0.96	1.08	0.89
TM8Y100C16MP11	CF/CM/CU36C	0.98	1.07	0.91
TM8Y100C16MP11	CF/CM/CU36D	0.98	1.07	0.91
TM8Y100C16MP11	CF/CM/CU42C	0.96	1.08	0.89
TM8Y100C16MP11	CF/CM/CU42D	0.96	1.08	0.89
TM8Y100C20MP11	CF/CM/CU36C	0.98	1.07	0.91
TM8Y100C20MP11	CF/CM/CU36D	0.98	1.07	0.91
TM8Y100C20MP11	CF/CM/CU42C	0.96	1.08	0.89
TM8Y100C20MP11	CF/CM/CU42D	0.96	1.08	0.89
TM8Y120C20MP11	CF/CM/CU36C	0.98	1.07	0.91
TM8Y120C20MP11	CF/CM/CU36D	0.98	1.07	0.91
TM8Y120C20MP11	CF/CM/CU42C	0.96	1.08	0.89
TM8Y120C20MP11	CF/CM/CU42D	0.96	1.08	0.89
TM9E040A10MP11	CF/CM36A	0.99	1.04	0.95
TM9E060B12MP11	CF/CM/CU36B	0.99	1.07	0.92
TM9E060B12MP11	CF42B	0.97	1.07	0.90
TM9E080B12MP11	CF/CM/CU36B	0.99	1.07	0.92
TM9E080B12MP11	CF42B	0.97	1.07	0.90
TM9E080C16MP11	CF/CM/CU36C	0.98	1.06	0.92
TM9E080C16MP11	CF/CM/CU36D	0.98	1.06	0.92
TM9E080C16MP11	CF/CM/CU42C	0.97	1.06	0.91
TM9E080C16MP11	CF/CM/CU42D	0.97	1.07	0.91
TM9E100C16MP11	CF/CM/CU36C	0.98	1.06	0.92
TM9E100C16MP11	CF/CM/CU36D	0.98	1.06	0.92
TM9E100C16MP11	CF/CM/CU42C	0.97	1.06	0.91
TM9E100C16MP11	CF/CM/CU42D	0.97	1.07	0.91
TM9E100C20MP11	CF/CM/CU36C	0.98	1.08	0.90
TM9E100C20MP11	CF/CM/CU36D	0.98	1.09	0.90
TM9E100C20MP11	CF/CM/CU42C	0.97	1.10	0.88
TM9E100C20MP11	CF/CM/CU42D	0.97	1.10	0.88
TM9E120D20MP11	CF/CM/CU36D	0.97	1.10	0.89
TM9E120D20MP11	CF/CM/CU42D	0.96	1.11	0.87
TMLV060A12MP11	CF/CM36A	0.98	1.04	0.94
TMLV080B12MP11	CF/CM/CU36B	0.98	1.05	0.93
TMLV080B12MP11	CF42B	0.98	1.05	0.93
TMLV080C16MP11	CF/CM/CU36C	0.98	1.07	0.91
TMLV080C16MP11	CF/CM/CU42C	0.96	1.08	0.89
TMLV100C16MP11	CF/CM/CU36C	0.98	1.07	0.91
TMLV100C16MP11	CF/CM/CU42C	0.96	1.08	0.89
TMLX060A12MP11	CF/CM36A	0.98	1.06	0.93
TMLX080B12MP11	CF/CM/CU36B	0.98	1.07	0.92
TMLX080B12MP11	CF42B	0.97	1.07	0.91
TMLX080C16MP11	CF/CM/CU36C	0.98	1.07	0.91
TMLX080C16MP11	CF/CM/CU36D	0.98	1.07	0.91
TMLX080C16MP11	CF/CM/CU42C	0.96	1.08	0.89
TMLX080C16MP11	CF/CM/CU42D	0.96	1.08	0.89
TMLX100C16MP11	CF/CM/CU36C	0.98	1.07	0.91
TMLX100C16MP11	CF/CM/CU36D	0.98	1.07	0.91

## FURNACE MULTIPLIERS - 2.5 TON (Continued)

Furnaces	Coil	MBH	COP	KW
TM9E100C16MP11	CF/CM/CU36D	0.98	1.06	0.92
TM9E100C16MP11	CF/CM/CU42C	0.97	1.06	0.91
TM9E100C16MP11	CF/CM/CU42D	0.97	1.07	0.91
TM9E100C20MP11	CF/CM/CU36C	0.98	1.08	0.90
TM9E100C20MP11	CF/CM/CU36D	0.98	1.09	0.90
TM9E100C20MP11	CF/CM/CU42C	0.97	1.10	0.88
TM9E100C20MP11	CF/CM/CU42D	0.97	1.10	0.88
TM9E120D20MP11	CF/CM/CU36D	0.97	1.10	0.89
TM9E120D20MP11	CF/CM/CU42D	0.96	1.11	0.87
TM9V060B12MP11	CF/CM/CU36B	0.98	1.07	0.92
TM9V060B12MP11	CF42B	0.97	1.08	0.90
TM9V080B12MP11	CF/CM/CU36B	0.98	1.07	0.92
TM9V080B12MP11	CF42B	0.97	1.08	0.90
TM9V080C16MP11	CF/CM/CU36C	0.98	1.08	0.90
TM9V080C16MP11	CF/CM/CU42C	0.97	1.09	0.89
TM9V100C16MP11	CF/CM/CU36C	0.98	1.08	0.90
TM9V100C16MP11	CF/CM/CU42C	0.97	1.09	0.89
TM9V100C20MP11	CF/CM/CU36C	0.97	1.06	0.91
TM9V120D20MP11	CF/CM/CU36D	0.97	1.10	0.88
TM9V120D20MP11	CF/CM/CU42D	0.97	1.08	0.90
TM9Y040A10MP11	CF/CM36A	0.99	1.04	0.95
TM9Y060B12MP11	CF/CM/CU36B	0.99	1.07	0.92
TM9Y060B12MP11	CF42B	0.97	1.07	0.90
TM9Y080B12MP11	CF/CM/CU36B	0.99	1.07	0.92
TM9Y080B12MP11	CF42B	0.97	1.07	0.90
TM9Y080C16MP11	CF/CM/CU36C	0.98	1.06	0.92
TM9Y080C16MP11	CF/CM/CU36D	0.98	1.06	0.92
TM9Y080C16MP11	CF/CM/CU42C	0.97	1.06	0.91
TM9Y080C16MP11	CF/CM/CU42D	0.97	1.07	0.91
TM9Y100C16MP11	CF/CM/CU36C	0.98	1.06	0.92
TM9Y100C16MP11	CF/CM/CU36D	0.98	1.06	0.92
TM9Y100C16MP11	CF/CM/CU42C	0.97	1.06	0.91
TM9Y100C16MP11	CF/CM/CU42D	0.97	1.07	0.91
TM9Y100C20MP11	CF/CM/CU36C	0.98	1.08	0.90
TM9Y100C20MP11	CF/CM/CU36D	0.98	1.09	0.90
TM9Y100C20MP11	CF/CM/CU42C	0.97	1.10	0.88
TM9Y100C20MP11	CF/CM/CU42D	0.97	1.10	0.88
TM9Y120D20MP11	CF/CM/CU36D	0.97	1.10	0.89
TM9Y120D20MP11	CF/CM/CU42D	0.96	1.11	0.87
TMLV060A12MP11	CF/CM36A	0.98	1.04	0.94
TMLV080B12MP11	CF/CM/CU36B	0.98	1.05	0.93
TMLV080B12MP11	CF42B	0.98	1.05	0.93
TMLV080C16MP11	CF/CM/CU36C	0.98	1.07	0.91
TMLV080C16MP11	CF/CM/CU42C	0.96	1.08	0.89
TMLV100C16MP11	CF/CM/CU36C	0.98	1.07	0.91
TMLV100C16MP11	CF/CM/CU42C	0.96	1.08	0.89
TMLX060A12MP11	CF/CM36A	0.98	1.06	0.93
TMLX080B12MP11	CF/CM/CU36B	0.98	1.07	0.92
TMLX080B12MP11	CF42B	0.97	1.07	0.91
TMLX080C16MP11	CF/CM/CU36C	0.98	1.07	0.91
TMLX080C16MP11	CF/CM/CU36D	0.98	1.07	0.91
TMLX080C16MP11	CF/CM/CU42C	0.96	1.08	0.89
TMLX080C16MP11	CF/CM/CU42D	0.96	1.08	0.89
TMLX100C16MP11	CF/CM/CU36C	0.98	1.07	0.91
TMLX100C16MP11	CF/CM/CU36D	0.98	1.07	0.91



**FURNACE MULTIPLIERS - 2.5 TON (Continued)**

Furnaces	Coil	MBH	COP	KW
TMLX100C16MP11	CF/CM/CU42C	0.96	1.08	0.89
TMLX100C16MP11	CF/CM/CU42D	0.96	1.08	0.89
TMLX100C20MP11	CF/CM/CU36C	0.98	1.07	0.91
TMLX100C20MP11	CF/CM/CU36D	0.98	1.07	0.91
TMLX100C20MP11	CF/CM/CU42C	0.96	1.08	0.89
TMLX100C20MP11	CF/CM/CU42D	0.96	1.08	0.89
TMLX120C20MP11	CF/CM/CU36C	0.98	1.07	0.91
TMLX120C20MP11	CF/CM/CU36D	0.98	1.07	0.91
TMLX120C20MP11	CF/CM/CU42C	0.96	1.08	0.89
TMLX120C20MP11	CF/CM/CU42D	0.96	1.08	0.89
TP9C060B12MP11	CF/CM/CU36B	0.98	1.07	0.92
TP9C060B12MP11	CF42B	0.97	1.08	0.90
TP9C080B12MP11	CF/CM/CU36B	0.98	1.07	0.92
TP9C080B12MP11	CF42B	0.97	1.08	0.90
TP9C080C16MP11	CF/CM/CU36C	0.98	1.08	0.90
TP9C080C16MP11	CF/CM/CU42C	0.97	1.09	0.89
TP9C100C16MP11	CF/CM/CU36C	0.98	1.08	0.90
TP9C100C16MP11	CF/CM/CU42C	0.97	1.09	0.89
TP9C100C20MP11	CF/CM/CU36C	0.97	1.06	0.91
TP9C120D20MP11	CF/CM/CU36D	0.97	1.10	0.88
TP9C120D20MP11	CF/CM/CU42D	0.97	1.08	0.90
TPLC060A12MP11	CF/CM36A	0.98	1.04	0.94
TPLC080B12MP11	CF/CM/CU36B	0.98	1.05	0.93
TPLC080B12MP11	CF42B	0.98	1.05	0.93
TPLC080C16MP11	CF/CM/CU36C	0.98	1.07	0.91
TPLC080C16MP11	CF/CM/CU42C	0.96	1.08	0.89

**FURNACE MULTIPLIERS - 2.5 TON (Continued)**

Furnaces	Coil	MBH	COP	KW
TPLC100C16MP11	CF/CM/CU36C	0.98	1.07	0.91
TPLC100C16MP11	CF/CM/CU42C	0.96	1.08	0.89
YP9C060B12MP11	CF/CM/CU36B	0.98	1.07	0.92
YP9C060B12MP11	CF42B	0.97	1.08	0.90
YP9C080B12MP11	CF/CM/CU36B	0.98	1.07	0.92
YP9C080B12MP11	CF42B	0.97	1.08	0.90
YP9C080C16MP11	CF/CM/CU36C	0.98	1.08	0.90
YP9C080C16MP11	CF/CM/CU42C	0.97	1.09	0.89
YP9C100C16MP11	CF/CM/CU36C	0.98	1.08	0.90
YP9C100C16MP11	CF/CM/CU42C	0.97	1.09	0.89
YP9C100C20MP11	CF/CM/CU36C	0.97	1.06	0.91
YP9C120D20MP11	CF/CM/CU36D	0.97	1.10	0.88
YP9C120D20MP11	CF/CM/CU42D	0.97	1.08	0.90
YPLC060A12MP11	CF/CM36A	0.98	1.04	0.94
YPLC080B12MP11	CF/CM/CU36B	0.98	1.05	0.93
YPLC080B12MP11	CF42B	0.98	1.05	0.93
YPLC080C16MP11	CF/CM/CU36C	0.98	1.07	0.91
YPLC080C16MP11	CF/CM/CU42C	0.96	1.08	0.89
YPLC100C16MP11	CF/CM/CU36C	0.98	1.07	0.91
YPLC100C16MP11	CF/CM/CU42C	0.96	1.08	0.89
YPLC080C16MP12	CF/CM/CU36C	1.03	1.04	0.94
YPLC080C16MP12	CF/CM/CU42C	1.04	1.05	0.92
YPLC100C16MP12	CF/CM/CU36C	1.03	1.04	0.94
YPLC100C16MP12	CF/CM/CU42C	1.04	1.05	0.92

## PERFORMANCE DATA - 3 TON

CONDENSER-ONLY DATA (OUTDOOR UNIT)																
MODEL	SATURATED SUCTION @ COMPRESSOR		Outdoor Ambient Temperature													
			65 °F		75 °F		85 °F		95 °F		105 °F		115 °F		125 °F	
	T (°F)	P (PSIG)	MBH	KW	MBH	KW	MBH	KW	MBH	KW	MBH	KW	MBH	KW	MBH	KW
YHE35B21S	35	107	39.5	1.68	35.2	1.97	31.0	2.26	26.7	2.56	22.5	2.85	18.2	3.14	14.0	3.43
	40	119	40.7	1.72	37.1	2.01	33.5	2.29	29.8	2.58	26.2	2.87	22.6	3.16	19.0	3.45
	45	130	41.9	1.76	38.9	2.04	35.9	2.33	32.9	2.61	29.9	2.89	26.9	3.18	23.9	3.46
	50	143	43.2	1.80	40.8	2.08	38.4	2.36	36.0	2.64	33.6	2.92	31.2	3.20	28.9	3.47
	55	156	44.4	1.85	42.7	2.12	40.9	2.39	39.1	2.67	37.4	2.94	35.6	3.21	33.8	3.49

## Notes:

- For Outdoor Unit (Condenser) performance only. Data does not include the effects of air handler power or heat.
- Performance based on 15°F subcooling and 15°F superheat at the Outdoor Unit base valves.
  - Increase capacity by 1% for each 2°F increase in subcooling.
  - Decrease capacity by 1% for each 2°F decrease in subcooling.
- Maximum recommended condensing temperature is 140°F.

COOLING PERFORMANCE DATA																	
AIR CONDITIONER MODEL NO.		YHE35B21S															
AIR TEMP. ENTERING OUTDOOR UNIT (°F)	IDCFM	1000					1200					1400					
		ID DB (°F)	80	80	75	80	80	80	80	75	80	80	80	80	75	80	80
		ID WB (°F)	57	62	62	67	72	57	62	62	67	72	57	62	62	67	72
65	T.C.	32.5	34.9	35.1	37.0	39.7	33.8	35.5	35.6	37.2	39.8	35.5	36.6	36.6	38.0	40.5	
	S.C.	31.9	28.9	24.7	23.3	18.5	33.9	31.6	27.0	25.2	19.5	35.0	33.3	28.6	26.3	20.0	
	KW	2.25	2.27	2.27	2.32	2.29	2.33	2.35	2.34	2.39	2.37	2.41	2.42	2.42	2.47	2.45	
75	T.C.	31.4	33.6	33.9	36.0	40.6	32.9	34.4	34.6	36.3	41.0	34.8	35.7	35.8	37.1	41.9	
	S.C.	30.8	28.4	24.1	23.2	19.0	33.1	31.7	26.8	25.2	20.5	34.3	34.1	28.7	26.6	21.4	
	KW	2.45	2.47	2.45	2.55	2.48	2.52	2.54	2.52	2.62	2.56	2.60	2.62	2.60	2.70	2.64	
85	T.C.	30.0	31.9	32.3	35.0	39.1	31.4	32.7	33.8	35.4	39.5	33.3	34.0	35.8	36.3	40.5	
	S.C.	29.5	27.5	23.5	23.0	18.5	31.6	30.6	26.5	25.3	20.1	32.8	32.8	28.7	26.9	21.0	
	KW	2.72	2.74	2.72	2.78	2.74	2.79	2.81	2.66	2.85	2.81	2.86	2.88	2.60	2.92	2.89	
95	T.C.	28.7	30.3	30.7	34.0	37.5	30.0	31.0	33.0	34.5	38.1	31.8	32.2	35.8	35.4	39.2	
	S.C.	28.2	26.6	22.8	22.8	18.0	30.2	29.5	26.1	25.4	19.6	31.3	31.6	28.7	27.1	20.6	
	KW	2.99	3.01	2.99	3.01	2.99	3.06	3.08	2.79	3.08	3.07	3.13	3.15	2.60	3.15	3.14	
105	T.C.	27.4	28.5	28.7	31.8	35.2	28.6	29.3	30.4	32.3	35.7	30.1	30.5	32.5	33.2	36.7	
	S.C.	26.9	25.7	21.9	22.0	17.2	28.8	28.3	24.9	24.4	18.8	29.8	30.1	27.1	26.2	19.9	
	KW	3.38	3.40	3.39	3.40	3.40	3.45	3.47	3.28	3.47	3.47	3.52	3.54	3.17	3.54	3.54	
115	T.C.	26.1	26.7	26.7	29.7	32.9	27.1	27.5	27.7	30.1	33.3	28.5	28.7	29.1	30.9	34.1	
	S.C.	25.7	24.9	21.1	21.2	16.4	27.3	27.1	23.6	23.5	18.0	28.2	28.5	25.5	25.2	19.1	
	KW	3.77	3.79	3.79	3.80	3.80	3.84	3.86	3.77	3.87	3.87	3.91	3.93	3.75	3.94	3.94	
125	T.C.	24.8	24.9	24.8	27.5	30.6	25.6	25.8	25.1	27.9	30.9	26.8	27.0	25.7	28.7	31.6	
	S.C.	24.4	24.1	20.2	20.4	15.6	25.9	25.9	22.4	22.6	17.2	26.7	27.0	23.9	24.3	18.3	
	KW	4.17	4.18	4.18	4.20	4.20	4.24	4.25	4.25	4.27	4.27	4.31	4.32	4.32	4.34	4.34	

**NOTE:** ALL CAPACITIES INCLUDE INDOOR FAN HEAT. KW VALUES ARE FOR THE SYSTEM (OUTDOOR + INDOOR).

Green shaded cells are ACCA (TVA) conditions.

Blue shaded cells are AHRI conditions.

## Multipliers for determining the performance with other indoor sections.

**NOTE:** For dry bulb temperatures different than those listed (between 73-87 °F), sensible capacity increases by 1060 BTUH per 1000 CFM per degree above the listed temperature and decreases by 1060 BTUH per 1000 CFM per degree below the listed temperature.

**COIL MULTIPLIERS - 3 TON**

Air Handler	Coil	T.C.	S.C.	KW
AE36BX21	–	1.02	1.04	0.96
AE36CX21	–	1.01	1.04	0.94
AE42CX21	–	1.04	1.08	0.95
AVC36CX21	–	1.02	1.05	0.94
AVC42CX21	–	1.04	1.08	0.94
ME12BN21	CF42B	1.03	1.06	0.98
ME14DN21	CF/CM/36D	1.02	1.02	0.94
ME14DN21	CF/CM/42D	1.03	1.05	0.95
ME16CN21	CF/CM/36C	1.02	1.02	0.94
ME16CN21	CF/CM/42C	1.03	1.08	0.93
MVC12BN21	CF42B	1.03	1.09	0.99
MVC14DN21	CF/CM/42D	1.03	1.05	0.95
MVC20DN21	CF/CM/36D	1.04	1.07	0.94
MVC20DN21	CF/CM/42D	1.03	1.05	0.96

**FURNACE MULTIPLIERS - 3 TON**

Furnaces	Coil	T.C.	S.C.	KW
TM8V080B12MP11	CF42B	1.02	1.06	0.98
TM8V080C16MP11	CF/CM/36C	1.02	1.04	0.96
TM8V080C16MP11	CF/CM/42C	1.04	1.10	0.97
TM8V100C16MP11	CF/CM/36C	1.02	1.04	0.96
TM8V100C16MP11	CF/CM/42C	1.04	1.10	0.97
TM8V100C20MP11	CF/CM/36C	1.02	1.04	0.98
TM8V100C20MP11	CF/CM/42C	1.04	1.10	0.97
TM8V120C20MP11	CF/CM/36C	1.02	1.04	0.98
TM8V120C20MP11	CF/CM/42C	1.04	1.10	0.97
TM8X080B12MP11	CF42B	1.02	1.05	0.98
TM8X080C16MP11	CF/CM/36C	1.02	1.01	0.96
TM8X080C16MP11	CF/CM/36D	1.03	1.05	0.95
TM8X080C16MP11	CF/CM/42C	1.03	1.08	0.95
TM8X080C16MP11	CF/CM/42D	1.04	1.08	0.96
TM8X100C16MP11	CF/CM/36C	1.02	1.01	0.96
TM8X100C16MP11	CF/CM/36D	1.03	1.05	0.95
TM8X100C16MP11	CF/CM/42C	1.03	1.08	0.95
TM8X100C16MP11	CF/CM/42D	1.04	1.08	0.96
TM8X100C20MP11	CF/CM/36C	1.02	1.04	0.96
TM8X100C20MP11	CF/CM/36D	1.03	1.05	0.94
TM8X100C20MP11	CF/CM/42C	1.04	1.08	0.96
TM8X100C20MP11	CF/CM/42D	1.04	1.10	0.94
TM8X120C20MP11	CF/CM/36C	1.02	1.04	0.96
TM8X120C20MP11	CF/CM/36D	1.03	1.05	0.94
TM8X120C20MP11	CF/CM/42C	1.04	1.08	0.96
TM8X120C20MP11	CF/CM/42D	1.04	1.10	0.94
TM8Y080B12MP11	CF42B	1.02	1.05	0.98
TM8Y080C16MP11	CF/CM/36C	1.02	1.01	0.96
TM8Y080C16MP11	CF/CM/36D	1.03	1.05	0.95
TM8Y080C16MP11	CF/CM/42C	1.03	1.08	0.95
TM8Y080C16MP11	CF/CM/42D	1.04	1.08	0.96
TM8Y100C16MP11	CF/CM/36C	1.02	1.01	0.96
TM8Y100C16MP11	CF/CM/36D	1.03	1.05	0.95
TM8Y100C16MP11	CF/CM/42C	1.03	1.08	0.95
TM8Y100C16MP11	CF/CM/42D	1.04	1.08	0.96
TM8Y100C20MP11	CF/CM/36C	1.02	1.04	0.96
TM8Y100C20MP11	CF/CM/36D	1.03	1.05	0.94
TM8Y100C20MP11	CF/CM/42C	1.04	1.08	0.96

**FURNACE MULTIPLIERS - 3 TON (Continued)**

Furnaces	Coil	T.C.	S.C.	KW
TM8Y100C20MP11	CF/CM/42D	1.04	1.10	0.94
TM8Y120C20MP11	CF/CM/36C	1.02	1.04	0.96
TM8Y120C20MP11	CF/CM/36D	1.03	1.05	0.94
TM8Y120C20MP11	CF/CM/42C	1.04	1.08	0.96
TM8Y120C20MP11	CF/CM/42D	1.04	1.10	0.94
TM9E080C16MP11	CF/CM/36C	1.02	1.04	0.96
TM9E080C16MP11	CF/CM/36D	1.02	1.04	0.96
TM9E080C16MP11	CF/CM/42C	1.03	1.07	0.97
TM9E080C16MP11	CF/CM/42D	1.03	1.07	0.95
TM9E100C16MP11	CF/CM/36C	1.02	1.04	0.96
TM9E100C16MP11	CF/CM/36D	1.02	1.04	0.96
TM9E100C16MP11	CF/CM/42C	1.03	1.07	0.97
TM9E100C16MP11	CF/CM/42D	1.03	1.07	0.95
TM9E100C20MP11	CF/CM/36C	1.02	1.01	0.98
TM9E100C20MP11	CF/CM/36D	1.02	1.01	0.98
TM9E100C20MP11	CF/CM/42C	1.03	1.07	0.97
TM9E100C20MP11	CF/CM/42D	1.02	1.04	0.98
TM9E120D20MP11	CF/CM/36D	1.02	1.01	0.96
TM9E120D20MP11	CF/CM/42D	1.03	1.04	0.96
TM9V060B12MP11	CF42B	1.02	1.05	0.98
TM9V080B12MP11	CF42B	1.02	1.05	0.98
TM9V080C16MP11	CF/CM/42C	1.02	1.06	0.98
TM9V100C16MP11	CF/CM/42C	1.02	1.06	0.98
TM9V100C20MP11	CF/CM/36C	1.02	1.04	0.98
TM9V100C20MP11	CF/CM/42C	1.02	1.06	0.98
TM9V120D20MP11	CF/CM/42D	1.03	1.08	0.95
TM9Y080C16MP11	CF/CM/36C	1.02	1.04	0.96
TM9Y080C16MP11	CF/CM/36D	1.02	1.04	0.96
TM9Y080C16MP11	CF/CM/42C	1.03	1.07	0.97
TM9Y080C16MP11	CF/CM/42D	1.03	1.07	0.95
TM9Y100C16MP11	CF/CM/36C	1.02	1.04	0.96
TM9Y100C16MP11	CF/CM/36D	1.02	1.04	0.96
TM9Y100C16MP11	CF/CM/42C	1.03	1.07	0.97
TM9Y100C16MP11	CF/CM/42D	1.03	1.07	0.95
TM9Y100C20MP11	CF/CM/36C	1.02	1.01	0.98
TM9Y100C20MP11	CF/CM/36D	1.02	1.01	0.98
TM9Y100C20MP11	CF/CM/42C	1.03	1.07	0.97
TM9Y100C20MP11	CF/CM/42D	1.02	1.04	0.98
TM9Y120D20MP11	CF/CM/36D	1.02	1.01	0.96
TM9Y120D20MP11	CF/CM/42D	1.03	1.04	0.96
TMLV080B12MP11	CF42B	1.02	1.06	0.98
TMLV080C16MP11	CF/CM/36C	1.02	1.04	0.96
TMLV080C16MP11	CF/CM/42C	1.04	1.10	0.97
TMLV100C16MP11	CF/CM/36C	1.02	1.04	0.96
TMLV100C16MP11	CF/CM/42C	1.04	1.10	0.97
TMLV100C20MP11	CF/CM/36C	1.02	1.04	0.98
TMLV100C20MP11	CF/CM/42C	1.04	1.10	0.97
TMLV120C20MP11	CF/CM/36C	1.02	1.04	0.98
TMLV120C20MP11	CF/CM/42C	1.04	1.10	0.97
TMLX080B12MP11	CF42B	1.02	1.05	0.98
TMLX080C16MP11	CF/CM/36C	1.02	1.01	0.96
TMLX080C16MP11	CF/CM/36D	1.03	1.05	0.95
TMLX080C16MP11	CF/CM/42C	1.03	1.08	0.95
TMLX080C16MP11	CF/CM/42D	1.04	1.08	0.96
TMLX100C16MP11	CF/CM/36C	1.02	1.01	0.96

## FURNACE MULTIPLIERS - 3 TON (Continued)

Furnaces	Coil	T.C.	S.C.	KW
TMLX100C16MP11	CF/CM/CU36D	1.03	1.05	0.95
TMLX100C16MP11	CF/CM/CU42C	1.03	1.08	0.95
TMLX100C16MP11	CF/CM/CU42D	1.04	1.08	0.96
TMLX100C20MP11	CF/CM/CU36C	1.02	1.04	0.96
TMLX100C20MP11	CF/CM/CU36D	1.03	1.05	0.94
TMLX100C20MP11	CF/CM/CU42C	1.04	1.08	0.96
TMLX100C20MP11	CF/CM/CU42D	1.04	1.10	0.94
TMLX120C20MP11	CF/CM/CU36C	1.02	1.04	0.96
TMLX120C20MP11	CF/CM/CU36D	1.03	1.05	0.94
TMLX120C20MP11	CF/CM/CU42C	1.04	1.08	0.96
TMLX120C20MP11	CF/CM/CU42D	1.04	1.10	0.94
TP9C060B12MP11	CF42B	1.02	1.05	0.98
TP9C080B12MP11	CF42B	1.02	1.05	0.98
TP9C080C16MP11	CF/CM/CU42C	1.02	1.06	0.98
TP9C100C16MP11	CF/CM/CU42C	1.02	1.06	0.98
TP9C100C20MP11	CF/CM/CU36C	1.02	1.04	0.98
TP9C100C20MP11	CF/CM/CU42C	1.02	1.06	0.98
TP9C120D20MP11	CF/CM/CU42D	1.03	1.08	0.95
TPLC080B12MP11	CF42B	1.02	1.06	0.98
TPLC080C16MP11	CF/CM/CU36C	1.02	1.04	0.96
TPLC080C16MP11	CF/CM/CU42C	1.04	1.10	0.97
TPLC100C16MP11	CF/CM/CU36C	1.02	1.04	0.96
TPLC100C16MP11	CF/CM/CU42C	1.04	1.10	0.97

## FURNACE MULTIPLIERS - 3 TON (Continued)

Furnaces	Coil	T.C.	S.C.	KW
TPLC100C20MP11	CF/CM/CU36C	1.02	1.04	0.98
TPLC100C20MP11	CF/CM/CU42C	1.04	1.10	0.97
TPLC120C20MP11	CF/CM/CU36C	1.02	1.04	0.98
TPLC120C20MP11	CF/CM/CU42C	1.04	1.10	0.97
YP9C060B12MP11	CF42B	1.02	1.05	0.98
YP9C080B12MP11	CF42B	1.02	1.05	0.98
YP9C080C16MP11	CF/CM/CU42C	1.02	1.06	0.98
YP9C100C16MP11	CF/CM/CU42C	1.02	1.06	0.98
YP9C100C20MP11	CF/CM/CU36C	1.02	1.04	0.98
YP9C100C20MP11	CF/CM/CU42C	1.02	1.06	0.98
YP9C120D20MP11	CF/CM/CU42D	1.03	1.08	0.95
YPLC080B12MP11	CF42B	1.02	1.06	0.98
YPLC080C16MP11	CF/CM/CU36C	1.02	1.04	0.96
YPLC080C16MP11	CF/CM/CU42C	1.04	1.10	0.97
YPLC100C16MP11	CF/CM/CU36C	1.02	1.04	0.96
YPLC100C16MP11	CF/CM/CU42C	1.04	1.10	0.97
YPLC100C20MP11	CF/CM/CU36C	1.02	1.04	0.98
YPLC100C20MP11	CF/CM/CU42C	1.04	1.10	0.97
YPLC120C20MP11	CF/CM/CU36C	1.02	1.04	0.98
YPLC120C20MP11	CF/CM/CU42C	1.04	1.10	0.97

HEATING PERFORMANCE DATA										
CONDENSING UNIT MODEL NO		YHE35B21S								
AIR TEMP. ENTERING OUTDOOR UNIT (°F)	AIR TEMP. ENTERING INDOOR COIL (°F)	ID CFM								
		1000			1200			1400		
		MBH	COP	KW	MBH	COP	KW	MBH	COP	KW
60	60	41.0	3.64	2.93	41.6	3.67	2.87	42.2	3.70	2.81
	70	39.9	3.24	3.23	40.0	3.25	3.15	40.1	3.27	3.07
	80	38.8	2.90	3.54	38.4	2.89	3.44	38.0	2.88	3.33
47	60	35.2	3.22	2.82	35.8	3.25	2.78	36.4	3.27	2.74
	70	34.3	2.88	3.12	34.9	2.91	3.07	35.5	2.94	3.01
	80	33.5	2.59	3.41	34.0	2.63	3.35	34.6	2.66	3.28
40	60	32.1	2.99	2.77	32.6	3.00	2.74	33.1	3.00	2.71
	70	31.4	2.67	3.08	32.0	2.69	3.04	32.6	2.71	3.00
	80	30.7	2.39	3.38	31.4	2.43	3.33	32.0	2.46	3.28
30	60	27.4	2.60	2.71	28.1	2.62	2.69	28.7	2.64	2.66
	70	26.9	2.33	3.00	27.2	2.33	2.97	27.5	2.33	2.93
	80	26.5	2.11	3.30	26.3	2.09	3.25	26.2	2.06	3.20
17	60	23.2	2.30	2.59	23.2	2.22	2.60	23.1	2.15	2.62
	70	22.9	2.07	2.86	22.8	2.02	2.87	22.8	1.97	2.87
	80	22.5	1.87	3.14	22.5	1.84	3.13	22.6	1.82	3.12
10	60	20.9	1.95	2.77	20.7	1.89	2.75	20.43	1.84	2.73
	70	20.6	1.74	3.08	20.6	1.71	3.06	20.5	1.68	3.05
	80	20.3	1.58	3.40	20.5	1.56	3.38	20.6	1.55	3.36

**NOTE:** ALL CAPACITIES INCLUDE INDOOR FAN HEAT. KW VALUES ARE FOR THE SYSTEM (OUTDOOR + INDOOR).

Yellow shaded cells are AHRI High Heating conditions.

Orange shaded cells are AHRI Low Heating conditions.

Multipliers for determining the performance with other indoor sections.

**COIL MULTIPLIERS - 3 TON**

Air Handler	Coil	MBH	COP	KW
AE36BX21	–	0.98	1.07	0.91
AE36CX21	–	0.97	1.09	0.90
AE42CX21	–	0.97	1.12	0.87
AVC36CX21	–	0.97	1.09	0.90
AVC42CX21	–	0.98	1.14	0.86
ME12BN21	CF42B	0.98	1.09	0.90
ME14DN21	CF/CM/36D	0.97	1.08	0.89
ME14DN21	CF/CM/42D	0.97	1.12	0.87
ME16CN21	CF/CM/36C	0.97	1.07	0.90
ME16CN21	CF/CM/42C	0.97	1.12	0.86
MVC12BN21	CF42B	0.98	1.10	0.89
MVC14DN21	CF/CM/42D	0.97	1.12	0.87
MVC20DN21	CF/CM/36D	0.98	1.11	0.88
MVC20DN21	CF/CM/42D	0.97	1.10	0.88

**FURNACE MULTIPLIERS - 3 TON**

Furnaces	Coil	MBH	COP	KW
TM8V080B12MP11	CF42B	0.99	1.09	0.91
TM8V080C16MP11	CF/CM/36C	0.98	1.08	0.90
TM8V080C16MP11	CF/CM/42C	0.98	1.12	0.88
TM8V100C16MP11	CF/CM/36C	0.98	1.08	0.90
TM8V100C16MP11	CF/CM/42C	0.98	1.12	0.88
TM8V100C20MP11	CF/CM/36C	0.98	1.07	0.91
TM8V100C20MP11	CF/CM/42C	0.98	1.12	0.88
TM8V120C20MP11	CF/CM/36C	0.98	1.07	0.91
TM8V120C20MP11	CF/CM/42C	0.98	1.12	0.88
TM8X080B12MP11	CF42B	0.98	1.08	0.91
TM8X080C16MP11	CF/CM/36C	0.97	1.06	0.92
TM8X080C16MP11	CF/CM/36D	0.97	1.08	0.90
TM8X080C16MP11	CF/CM/42C	0.97	1.10	0.88
TM8X080C16MP11	CF/CM/42D	0.97	1.12	0.87
TM8X100C16MP11	CF/CM/36C	0.97	1.06	0.92
TM8X100C16MP11	CF/CM/36D	0.97	1.08	0.90
TM8X100C16MP11	CF/CM/42C	0.97	1.10	0.88
TM8X100C16MP11	CF/CM/42D	0.97	1.12	0.87
TM8X100C20MP11	CF/CM/36C	0.97	1.08	0.90
TM8X100C20MP11	CF/CM/36D	0.97	1.09	0.89
TM8X100C20MP11	CF/CM/42C	0.97	1.12	0.87
TM8X100C20MP11	CF/CM/42D	0.98	1.14	0.86
TM8X120C20MP11	CF/CM/36C	0.97	1.08	0.90
TM8X120C20MP11	CF/CM/36D	0.97	1.09	0.89
TM8X120C20MP11	CF/CM/42C	0.97	1.12	0.87
TM8X120C20MP11	CF/CM/42D	0.98	1.14	0.86
TM8Y080B12MP11	CF42B	0.98	1.08	0.91
TM8Y080C16MP11	CF/CM/36C	0.97	1.06	0.92
TM8Y080C16MP11	CF/CM/36D	0.97	1.08	0.90
TM8Y080C16MP11	CF/CM/42C	0.97	1.10	0.88
TM8Y080C16MP11	CF/CM/42D	0.97	1.12	0.87
TM8Y100C16MP11	CF/CM/36C	0.97	1.06	0.92
TM8Y100C16MP11	CF/CM/36D	0.97	1.08	0.90
TM8Y100C16MP11	CF/CM/42C	0.97	1.10	0.88
TM8Y100C16MP11	CF/CM/42D	0.97	1.12	0.87
TM8Y100C20MP11	CF/CM/36C	0.97	1.08	0.90
TM8Y100C20MP11	CF/CM/36D	0.97	1.09	0.89
TM8Y100C20MP11	CF/CM/42C	0.97	1.12	0.87

**FURNACE MULTIPLIERS - 3 TON (Continued)**

Furnaces	Coil	MBH	COP	KW
TM8Y100C20MP11	CF/CM/42D	0.98	1.14	0.86
TM8Y120C20MP11	CF/CM/36C	0.97	1.08	0.90
TM8Y120C20MP11	CF/CM/36D	0.97	1.09	0.89
TM8Y120C20MP11	CF/CM/42C	0.97	1.12	0.87
TM8Y120C20MP11	CF/CM/42D	0.98	1.14	0.86
TM9E080C16MP11	CF/CM/36C	0.98	1.07	0.91
TM9E080C16MP11	CF/CM/36D	0.98	1.08	0.91
TM9E080C16MP11	CF/CM/42C	0.98	1.09	0.90
TM9E080C16MP11	CF/CM/42D	0.98	1.12	0.88
TM9E100C16MP11	CF/CM/36C	0.98	1.07	0.91
TM9E100C16MP11	CF/CM/36D	0.98	1.08	0.91
TM9E100C16MP11	CF/CM/42C	0.98	1.09	0.90
TM9E100C16MP11	CF/CM/42D	0.98	1.12	0.88
TM9E100C20MP11	CF/CM/36C	0.97	1.06	0.92
TM9E100C20MP11	CF/CM/36D	0.97	1.06	0.92
TM9E100C20MP11	CF/CM/42C	0.98	1.10	0.89
TM9E100C20MP11	CF/CM/42D	0.97	1.09	0.90
TM9E120D20MP11	CF/CM/36D	0.97	1.06	0.92
TM9E120D20MP11	CF/CM/42D	0.97	1.09	0.89
TM9V060B12MP11	CF42B	0.98	1.08	0.91
TM9V080B12MP11	CF42B	0.98	1.08	0.91
TM9V080C16MP11	CF/CM/42C	0.98	1.09	0.90
TM9V100C16MP11	CF/CM/42C	0.98	1.09	0.90
TM9V100C20MP11	CF/CM/36C	0.98	1.07	0.92
TM9V100C20MP11	CF/CM/42C	0.98	1.08	0.90
TM9V120D20MP11	CF/CM/42D	0.97	1.12	0.87
TM9Y080C16MP11	CF/CM/36C	0.98	1.07	0.91
TM9Y080C16MP11	CF/CM/36D	0.98	1.08	0.91
TM9Y080C16MP11	CF/CM/42C	0.98	1.09	0.90
TM9Y080C16MP11	CF/CM/42D	0.98	1.12	0.88
TM9Y100C16MP11	CF/CM/36C	0.98	1.07	0.91
TM9Y100C16MP11	CF/CM/36D	0.98	1.08	0.91
TM9Y100C16MP11	CF/CM/42C	0.98	1.09	0.90
TM9Y100C16MP11	CF/CM/42D	0.98	1.12	0.88
TM9Y100C20MP11	CF/CM/36C	0.97	1.06	0.92
TM9Y100C20MP11	CF/CM/36D	0.97	1.06	0.92
TM9Y100C20MP11	CF/CM/42C	0.98	1.10	0.89
TM9Y100C20MP11	CF/CM/42D	0.97	1.09	0.90
TM9Y120D20MP11	CF/CM/36D	0.97	1.06	0.92
TM9Y120D20MP11	CF/CM/42D	0.97	1.09	0.89
TMLV080B12MP11	CF42B	0.99	1.09	0.91
TMLV080C16MP11	CF/CM/36C	0.98	1.08	0.90
TMLV080C16MP11	CF/CM/42C	0.98	1.12	0.88
TMLV100C16MP11	CF/CM/36C	0.98	1.08	0.90
TMLV100C16MP11	CF/CM/42C	0.98	1.12	0.88
TMLV100C20MP11	CF/CM/36C	0.98	1.07	0.91
TMLV100C20MP11	CF/CM/42C	0.98	1.12	0.88
TMLV120C20MP11	CF/CM/36C	0.98	1.07	0.91
TMLV120C20MP11	CF/CM/42C	0.98	1.12	0.88
TMLX080B12MP11	CF42B	0.98	1.08	0.91
TMLX080C16MP11	CF/CM/36C	0.97	1.06	0.92
TMLX080C16MP11	CF/CM/36D	0.97	1.08	0.90
TMLX080C16MP11	CF/CM/42C	0.97	1.10	0.88
TMLX080C16MP11	CF/CM/42D	0.97	1.12	0.87
TMLX100C16MP11	CF/CM/36C	0.97	1.06	0.92

**FURNACE MULTIPLIERS - 3 TON (Continued)**

Furnaces	Coil	MBH	COP	KW
TMLX100C16MP11	CF/CM/CU36D	0.97	1.08	0.90
TMLX100C16MP11	CF/CM/CU42C	0.97	1.10	0.88
TMLX100C16MP11	CF/CM/CU42D	0.97	1.12	0.87
TMLX100C20MP11	CF/CM/CU36C	0.97	1.08	0.90
TMLX100C20MP11	CF/CM/CU36D	0.97	1.09	0.89
TMLX100C20MP11	CF/CM/CU42C	0.97	1.12	0.87
TMLX100C20MP11	CF/CM/CU42D	0.98	1.14	0.86
TMLX120C20MP11	CF/CM/CU36C	0.97	1.08	0.90
TMLX120C20MP11	CF/CM/CU36D	0.97	1.09	0.89
TMLX120C20MP11	CF/CM/CU42C	0.97	1.12	0.87
TMLX120C20MP11	CF/CM/CU42D	0.98	1.14	0.86
TP9C060B12MP11	CF42B	0.98	1.08	0.91
TP9C080B12MP11	CF42B	0.98	1.08	0.91
TP9C080C16MP11	CF/CM/CU42C	0.98	1.09	0.90
TP9C100C16MP11	CF/CM/CU42C	0.98	1.09	0.90
TP9C100C20MP11	CF/CM/CU36C	0.98	1.07	0.92
TP9C100C20MP11	CF/CM/CU42C	0.98	1.08	0.90
TP9C120D20MP11	CF/CM/CU42D	0.97	1.12	0.87
TPLC080B12MP11	CF42B	0.99	1.09	0.91
TPLC080C16MP11	CF/CM/CU36C	0.98	1.08	0.90
TPLC080C16MP11	CF/CM/CU42C	0.98	1.12	0.88
TPLC100C16MP11	CF/CM/CU36C	0.98	1.08	0.90
TPLC100C16MP11	CF/CM/CU42C	0.98	1.12	0.88

**FURNACE MULTIPLIERS - 3 TON (Continued)**

Furnaces	Coil	MBH	COP	KW
TPLC100C20MP11	CF/CM/CU36C	0.98	1.07	0.91
TPLC100C20MP11	CF/CM/CU42C	0.98	1.12	0.88
TPLC120C20MP11	CF/CM/CU36C	0.98	1.07	0.91
TPLC120C20MP11	CF/CM/CU42C	0.98	1.12	0.88
YP9C060B12MP11	CF42B	0.98	1.08	0.91
YP9C080B12MP11	CF42B	0.98	1.08	0.91
YP9C080C16MP11	CF/CM/CU42C	0.98	1.09	0.90
YP9C100C16MP11	CF/CM/CU42C	0.98	1.09	0.90
YP9C100C20MP11	CF/CM/CU36C	0.98	1.07	0.92
YP9C100C20MP11	CF/CM/CU42C	0.98	1.08	0.90
YP9C120D20MP11	CF/CM/CU42D	0.97	1.12	0.87
YPLC080B12MP11	CF42B	0.99	1.09	0.91
YPLC080C16MP11	CF/CM/CU36C	0.98	1.08	0.90
YPLC080C16MP11	CF/CM/CU42C	0.98	1.12	0.88
YPLC100C16MP11	CF/CM/CU36C	0.98	1.08	0.90
YPLC100C16MP11	CF/CM/CU42C	0.98	1.12	0.88
YPLC100C20MP11	CF/CM/CU36C	0.98	1.07	0.91
YPLC100C20MP11	CF/CM/CU42C	0.98	1.12	0.88
YPLC120C20MP11	CF/CM/CU36C	0.98	1.07	0.91
YPLC120C20MP11	CF/CM/CU42C	0.98	1.12	0.88

## PERFORMANCE DATA - 3 TON

CONDENSER-ONLY DATA (OUTDOOR UNIT)																
MODEL	SATURATED SUCTION @ COMPRESSOR		Outdoor Ambient Temperature													
			65 °F		75 °F		85 °F		95 °F		105 °F		115 °F		125 °F	
	T (°F)	P (PSIG)	MBH	KW	MBH	KW	MBH	KW	MBH	KW	MBH	KW	MBH	KW	MBH	KW
YHE36B21H	35	107	33.0	1.53	30.8	1.67	28.5	1.81	26.3	1.95	24.1	2.09	21.9	2.23	19.7	2.37
	40	119	36.9	1.73	34.5	1.89	32.1	2.05	29.8	2.21	27.4	2.37	25.0	2.53	22.6	2.68
	45	130	40.8	1.93	38.3	2.11	35.8	2.28	33.2	2.46	30.7	2.64	28.1	2.82	25.6	3.00
	50	143	44.8	2.12	42.1	2.32	39.4	2.52	36.6	2.72	33.9	2.92	31.2	3.11	28.5	3.31
	55	156	48.7	2.32	45.8	2.54	43.0	2.76	40.1	2.97	37.2	3.19	34.3	3.41	31.5	3.63

## Notes:

- For Outdoor Unit (Condenser) performance only. Data does not include the effects of air handler power or heat.
- Performance based on 15°F subcooling and 15°F superheat at the Outdoor Unit base valves.
  - Increase capacity by 1% for each 2°F increase in subcooling.
  - Decrease capacity by 1% for each 2°F decrease in subcooling.
- Maximum recommended condensing temperature is 140°F.

COOLING PERFORMANCE DATA																
AIR CONDITIONER MODEL NO.		YHE36B21H														
AIR TEMP. ENTERING OUTDOOR UNIT (°F)	IDCFM	1000					1200					1400				
	ID DB (°F)	80	80	75	80	80	80	80	75	80	80	80	80	75	80	80
	ID WB (°F)	57	62	62	67	72	57	62	62	67	72	57	62	62	67	72
65	T.C.	31.6	33.8	34.3	37.7	41.3	33.6	35.3	35.5	39.1	42.9	35.2	36.4	36.2	40.0	44.0
	S.C.	31.6	28.4	24.0	23.7	19.4	33.8	31.3	26.4	26.3	20.9	35.2	33.5	28.3	28.4	22.0
	KW	2.32	2.33	2.32	2.33	2.31	1.99	1.99	1.99	1.99	1.98	2.47	2.47	2.48	2.46	2.45
75	T.C.	31.6	33.8	34.3	37.7	41.3	33.6	35.3	35.5	39.1	42.9	35.2	36.4	36.2	40.0	44.0
	S.C.	31.6	28.4	24.0	23.7	19.4	33.8	31.3	26.4	26.3	20.9	35.2	33.5	28.3	28.4	22.0
	KW	2.32	2.33	2.32	2.33	2.31	1.99	1.99	1.99	1.99	1.98	2.47	2.47	2.48	2.46	2.45
85	T.C.	28.2	29.7	29.5	32.9	36.4	30.0	30.9	30.8	34.1	37.8	31.4	31.7	31.6	34.8	38.6
	S.C.	27.9	26.4	21.9	22.0	17.5	30.0	29.4	24.2	24.5	18.8	31.4	31.7	25.9	26.4	19.7
	KW	2.70	2.72	2.71	2.75	2.77	2.32	2.32	2.32	2.35	2.37	2.88	2.88	2.88	2.91	2.93
95	T.C.	28.2	29.7	29.5	32.9	36.4	30.0	30.9	30.8	34.1	37.8	31.4	31.7	31.6	34.8	38.6
	S.C.	27.9	26.4	21.9	22.0	17.5	30.0	29.4	24.2	24.5	18.8	31.4	31.7	25.9	26.4	19.7
	KW	2.70	2.72	2.71	2.75	2.77	2.32	2.32	2.32	2.35	2.37	2.88	2.88	2.88	2.91	2.93
105	T.C.	25.4	26.0	26.1	28.8	32.4	26.9	27.5	27.0	29.9	33.4	28.1	28.7	27.5	30.5	33.9
	S.C.	25.2	24.3	20.2	20.5	16.0	26.9	26.6	22.3	22.7	17.3	28.1	28.3	24.0	24.4	18.2
	KW	3.00	3.01	3.00	3.06	3.11	2.57	2.58	2.56	2.61	2.65	3.20	3.21	3.18	3.23	3.28
115	T.C.	22.5	22.3	22.6	24.7	28.4	23.8	24.2	23.1	25.6	29.0	24.8	25.7	23.3	26.1	29.1
	S.C.	22.5	22.1	18.5	19.0	14.5	23.9	23.7	20.5	20.9	15.7	24.8	24.9	22.1	22.4	16.6
	KW	3.30	3.29	3.29	3.36	3.45	2.83	2.83	2.81	2.87	2.94	3.52	3.54	3.48	3.55	3.63
125	T.C.	22.5	22.3	22.6	24.7	28.4	23.8	24.2	23.1	25.6	29.0	24.8	25.7	23.3	26.1	29.1
	S.C.	22.5	22.1	18.5	19.0	14.5	23.9	23.7	20.5	20.9	15.7	24.8	24.9	22.1	22.4	16.6
	KW	3.30	3.29	3.29	3.36	3.45	2.83	2.83	2.81	2.87	2.94	3.52	3.54	3.48	3.55	3.63

**NOTE:** ALL CAPACITIES INCLUDE INDOOR FAN HEAT. KW VALUES ARE FOR THE SYSTEM (OUTDOOR + INDOOR).

Green shaded cells are ACCA (TVA) conditions.

Blue shaded cells are AHRI conditions.

## Multipliers for determining the performance with other indoor sections.

**NOTE:** For dry bulb temperatures different than those listed (between 73-87 °F), sensible capacity increases by 1060 BTUH per 1000 CFM per degree above the listed temperature and decreases by 1060 BTUH per 1000 CFM per degree below the listed temperature.

**COIL MULTIPLIERS - 3 TON**

Air Handler	Coil	T.C.	S.C.	KW
–	CF/CM/CU48C	0.98	0.97	0.96
–	CF/CM/CU48D	0.98	0.97	0.96
AE42CX21	–	0.99	1.00	0.88
AE48CX21	–	0.99	1.00	0.88
AE48DX21	–	1.00	1.00	0.88
AP37CX21	–	0.98	0.97	0.93
AVC42CX21	–	1.00	1.00	0.89
AVC48CX21	–	1.00	1.00	0.89
AVC48DX21	–	1.01	1.01	0.86
ME14DN21	CF/CM48D	1.00	1.00	0.87
ME16CN21	CF/CM48C	1.00	1.00	0.88
MVC14DN21	CF/CM48D	1.00	1.01	0.87
MVC16CN21	CF/CM48C	1.00	0.98	0.88
MVC20DN21	CF/CM48D	1.00	1.00	0.87

**FURNACE MULTIPLIERS - 3 TON**

Furnaces	Coil	T.C.	S.C.	KW
TM8V080C16MP11	CF/CM/CU48C	1.00	1.00	0.90
TM8V100C16MP11	CF/CM/CU48C	1.00	1.00	0.90
TM8V100C20MP11	CF/CM/CU48D	0.98	0.97	0.89
TM8V120C20MP11	CF/CM/CU48D	0.98	0.97	0.89
TM8X080C16MP11	CF/CM/CU48C	0.99	0.99	0.90
TM8X080C16MP11	CF/CM/CU48D	0.99	0.99	0.90
TM8X100C16MP11	CF/CM/CU48C	0.99	0.99	0.90
TM8X100C16MP11	CF/CM/CU48D	0.99	0.99	0.90
TM8X100C20MP11	CF/CM/CU48C	0.99	0.99	0.91
TM8X100C20MP11	CF/CM/CU48D	0.99	0.99	0.91
TM8X120C20MP11	CF/CM/CU48C	0.99	0.99	0.91
TM8X120C20MP11	CF/CM/CU48D	0.99	0.99	0.91
TM8Y080C16MP11	CF/CM/CU48C	0.99	0.99	0.90
TM8Y080C16MP11	CF/CM/CU48D	0.99	0.99	0.90
TM8Y100C16MP11	CF/CM/CU48C	0.99	0.99	0.90
TM8Y100C16MP11	CF/CM/CU48D	0.99	0.99	0.90
TM8Y100C20MP11	CF/CM/CU48C	0.99	0.99	0.91
TM8Y100C20MP11	CF/CM/CU48D	0.99	0.99	0.91
TM8Y120C20MP11	CF/CM/CU48C	0.99	0.99	0.91
TM8Y120C20MP11	CF/CM/CU48D	0.99	0.99	0.91
TM9E080C16MP11	CF/CM/CU48C	0.99	0.98	0.91
TM9E080C16MP11	CF/CM/CU48D	0.99	0.98	0.91
TM9E100C16MP11	CF/CM/CU48C	0.99	0.98	0.91
TM9E100C16MP11	CF/CM/CU48D	0.99	0.98	0.91
TM9E100C20MP11	CF/CM/CU48C	0.99	0.99	0.91
TM9E100C20MP11	CF/CM/CU48D	0.99	0.99	0.91
TM9E120D20MP11	CF/CM/CU48D	0.99	0.99	0.90

**FURNACE MULTIPLIERS - 3 TON (Continued)**

Furnaces	Coil	T.C.	S.C.	KW
TM9V080C16MP11	CF/CM/CU48D	1.00	1.00	0.88
TM9V100C16MP11	CF/CM/CU48D	1.00	1.00	0.88
TM9V100C20MP11	CF/CM/CU48C	0.99	0.97	0.91
TM9V100C20MP11	CF/CM/CU48D	0.99	1.00	0.89
TM9V120D20MP11	CF/CM/CU48D	0.99	1.00	0.89
TM9Y080C16MP11	CF/CM/CU48C	0.99	0.98	0.91
TM9Y080C16MP11	CF/CM/CU48D	0.99	0.98	0.91
TM9Y100C16MP11	CF/CM/CU48C	0.99	0.98	0.91
TM9Y100C16MP11	CF/CM/CU48D	0.99	0.98	0.91
TM9Y100C20MP11	CF/CM/CU48C	0.99	0.99	0.91
TM9Y100C20MP11	CF/CM/CU48D	0.99	0.99	0.91
TM9Y120D20MP11	CF/CM/CU48D	0.99	0.99	0.90
TMLV080C16MP11	CF/CM/CU48C	1.00	1.00	0.90
TMLV100C16MP11	CF/CM/CU48C	1.00	1.00	0.90
TMLV100C20MP11	CF/CM/CU48D	0.98	0.97	0.89
TMLV120C20MP11	CF/CM/CU48D	0.98	0.97	0.89
TMLX080C16MP11	CF/CM/CU48C	0.99	0.99	0.90
TMLX080C16MP11	CF/CM/CU48D	0.99	0.99	0.90
TMLX100C16MP11	CF/CM/CU48C	0.99	0.99	0.90
TMLX100C16MP11	CF/CM/CU48D	0.99	0.99	0.90
TMLX100C20MP11	CF/CM/CU48C	0.99	0.99	0.91
TMLX100C20MP11	CF/CM/CU48D	0.99	0.99	0.91
TMLX120C20MP11	CF/CM/CU48C	0.99	0.99	0.91
TMLX120C20MP11	CF/CM/CU48D	0.99	0.99	0.91
TP9C080C16MP11	CF/CM/CU48D	1.00	1.00	0.88
TP9C100C16MP11	CF/CM/CU48D	1.00	1.00	0.88
TP9C100C20MP11	CF/CM/CU48C	0.99	0.97	0.91
TP9C100C20MP11	CF/CM/CU48D	0.99	1.00	0.89
TP9C120D20MP11	CF/CM/CU48D	0.99	1.00	0.89
TPLC080C16MP11	CF/CM/CU48C	1.00	1.00	0.90
TPLC100C16MP11	CF/CM/CU48C	1.00	1.00	0.90
TPLC100C20MP11	CF/CM/CU48D	0.98	0.97	0.89
TPLC120C20MP11	CF/CM/CU48D	0.98	0.97	0.89
YP9C080C16MP11	CF/CM/CU48D	1.00	1.00	0.88
YP9C100C16MP11	CF/CM/CU48D	1.00	1.00	0.88
YP9C100C20MP11	CF/CM/CU48C	0.99	0.97	0.91
YP9C100C20MP11	CF/CM/CU48D	0.99	1.00	0.89
YP9C120D20MP11	CF/CM/CU48D	0.99	1.00	0.89
YPLC080C16MP11	CF/CM/CU48C	1.00	1.00	0.90
YPLC100C16MP11	CF/CM/CU48C	1.00	1.00	0.90
YPLC100C20MP11	CF/CM/CU48D	0.98	0.97	0.89
YPLC120C20MP11	CF/CM/CU48D	0.98	0.97	0.89



HEATING PERFORMANCE DATA										
CONDENSING UNIT MODEL NO		YHE36B21H								
AIR TEMP. ENTERING OUTDOOR UNIT (°F)	AIR TEMP. ENTERING INDOOR COIL (°F)	ID CFM								
		1000			1200			1400		
		MBH	COP	KW	MBH	COP	KW	MBH	COP	KW
60	60	42.1	4.17	2.96	43.6	4.36	2.93	45.1	4.55	2.90
	70	40.0	3.77	3.11	41.5	3.94	3.09	43.0	4.10	3.07
	80	37.9	3.40	3.27	39.4	3.55	3.25	40.9	3.70	3.24
47	60	34.7	3.69	2.75	35.7	3.80	2.75	36.8	3.93	2.74
	70	33.3	3.38	2.89	34.4	3.47	2.90	35.5	3.58	2.90
	80	32.0	3.09	3.03	33.1	3.18	3.05	34.2	3.27	3.06
40	60	31.6	3.49	2.65	32.6	3.59	2.66	33.5	3.68	2.67
	70	30.1	3.20	2.76	31.1	3.27	2.78	32.0	3.35	2.80
	80	28.7	2.93	2.87	29.6	2.99	2.90	30.4	3.03	2.94
30	60	26.9	3.15	2.50	27.8	3.23	2.52	28.7	3.30	2.55
	70	25.4	2.90	2.57	26.4	2.96	2.61	27.3	3.02	2.65
	80	23.9	2.66	2.64	24.9	2.70	2.70	25.9	2.75	2.75
17	60	20.8	2.65	2.30	21.7	2.72	2.34	22.6	2.77	2.39
	70	19.5	2.44	2.34	20.3	2.49	2.39	21.1	2.52	2.45
	80	18.2	2.24	2.38	18.9	2.27	2.44	19.5	2.29	2.50
10	60	18.3	2.51	2.14	19.1	2.52	2.22	19.85	2.52	2.31
	70	17.3	2.30	2.20	17.8	2.29	2.27	18.3	2.29	2.33
	80	16.2	2.09	2.27	16.4	2.08	2.31	16.7	2.07	2.36

NOTE: ALL CAPACITIES INCLUDE INDOOR FAN HEAT. KW VALUES ARE FOR THE SYSTEM (OUTDOOR + INDOOR).

Yellow shaded cells are AHRI High Heating conditions.

Orange shaded cells are AHRI Low Heating conditions.

#### Multipliers for determining the performance with other indoor sections.

#### COIL MULTIPLIERS - 3 TON

Air Handler	Coil	MBH	COP	KW
–	CF/CM/CU48C	0.99	0.98	1.01
–	CF/CM/CU48D	0.99	0.98	1.01
AE42CX21	–	0.97	1.03	0.94
AE48CX21	–	0.97	1.03	0.94
AE48DX21	–	0.97	1.04	0.94
AP37CX21	–	0.99	0.98	1.00
AVC42CX21	–	0.98	1.04	0.94
AVC48CX21	–	0.98	1.04	0.94
AVC48DX21	–	0.97	1.05	0.92
ME14DN21	CF/CM48D	0.97	1.04	0.93
ME16CN21	CF/CM48C	0.97	1.04	0.94
MVC14DN21	CF/CM48D	0.97	1.05	0.92
MVC16CN21	CF/CM48C	0.97	1.04	0.93
MVC20DN21	CF/CM48D	0.97	1.04	0.93

**FURNACE MULTIPLIERS - 3 TON**

Furnaces	Coil	MBH	COP	KW
TM8V080C16MP11	CF/CM/CU48C	0.98	1.03	0.96
TM8V100C16MP11	CF/CM/CU48C	0.98	1.03	0.96
TM8V100C20MP11	CF/CM/CU48D	0.97	1.01	0.96
TM8V120C20MP11	CF/CM/CU48D	0.97	1.01	0.96
TM8X080C16MP11	CF/CM/CU48C	0.98	1.02	0.96
TM8X080C16MP11	CF/CM/CU48D	0.98	1.02	0.96
TM8X100C16MP11	CF/CM/CU48C	0.98	1.02	0.96
TM8X100C16MP11	CF/CM/CU48D	0.98	1.02	0.96
TM8X100C20MP11	CF/CM/CU48C	0.98	1.02	0.96
TM8X100C20MP11	CF/CM/CU48D	0.98	1.02	0.96
TM8X120C20MP11	CF/CM/CU48C	0.98	1.02	0.96
TM8X120C20MP11	CF/CM/CU48D	0.98	1.02	0.96
TM8Y080C16MP11	CF/CM/CU48C	0.98	1.02	0.96
TM8Y080C16MP11	CF/CM/CU48D	0.98	1.02	0.96
TM8Y100C16MP11	CF/CM/CU48C	0.98	1.02	0.96
TM8Y100C16MP11	CF/CM/CU48D	0.98	1.02	0.96
TM8Y100C20MP11	CF/CM/CU48C	0.98	1.02	0.96
TM8Y100C20MP11	CF/CM/CU48D	0.98	1.02	0.96
TM8Y120C20MP11	CF/CM/CU48C	0.98	1.02	0.96
TM8Y120C20MP11	CF/CM/CU48D	0.98	1.02	0.96
TM9E080C16MP11	CF/CM/CU48C	0.98	1.01	0.97
TM9E080C16MP11	CF/CM/CU48D	0.98	1.01	0.97
TM9E100C16MP11	CF/CM/CU48C	0.98	1.01	0.97
TM9E100C16MP11	CF/CM/CU48D	0.98	1.01	0.97
TM9E100C20MP11	CF/CM/CU48C	0.98	1.02	0.96
TM9E100C20MP11	CF/CM/CU48D	0.98	1.02	0.96
TM9E120D20MP11	CF/CM/CU48D	0.98	1.02	0.96
TM9V080C16MP11	CF/CM/CU48D	0.98	1.04	0.94
TM9V100C16MP11	CF/CM/CU48D	0.98	1.04	0.94
TM9V100C20MP11	CF/CM/CU48C	0.98	1.01	0.96
TM9V100C20MP11	CF/CM/CU48D	0.98	1.02	0.96
TM9V120D20MP11	CF/CM/CU48D	0.97	1.03	0.95
TM9Y080C16MP11	CF/CM/CU48C	0.98	1.01	0.97
TM9Y080C16MP11	CF/CM/CU48D	0.98	1.01	0.97
TM9Y100C16MP11	CF/CM/CU48C	0.98	1.01	0.97
TM9Y100C16MP11	CF/CM/CU48D	0.98	1.01	0.97

**FURNACE MULTIPLIERS - 3 TON (Continued)**

Furnaces	Coil	MBH	COP	KW
TM9Y100C20MP11	CF/CM/CU48C	0.98	1.02	0.96
TM9Y100C20MP11	CF/CM/CU48D	0.98	1.02	0.96
TM9Y120D20MP11	CF/CM/CU48D	0.98	1.02	0.96
TMLV080C16MP11	CF/CM/CU48C	0.98	1.03	0.96
TMLV100C16MP11	CF/CM/CU48C	0.98	1.03	0.96
TMLV100C20MP11	CF/CM/CU48D	0.97	1.01	0.96
TMLV120C20MP11	CF/CM/CU48D	0.97	1.01	0.96
TMLX080C16MP11	CF/CM/CU48C	0.98	1.02	0.96
TMLX080C16MP11	CF/CM/CU48D	0.98	1.02	0.96
TMLX100C16MP11	CF/CM/CU48C	0.98	1.02	0.96
TMLX100C16MP11	CF/CM/CU48D	0.98	1.02	0.96
TMLX100C20MP11	CF/CM/CU48C	0.98	1.02	0.96
TMLX100C20MP11	CF/CM/CU48D	0.98	1.02	0.96
TMLX120C20MP11	CF/CM/CU48C	0.98	1.02	0.96
TMLX120C20MP11	CF/CM/CU48D	0.98	1.02	0.96
TP9C080C16MP11	CF/CM/CU48D	0.98	1.04	0.94
TP9C100C16MP11	CF/CM/CU48D	0.98	1.04	0.94
TP9C100C20MP11	CF/CM/CU48C	0.98	1.01	0.96
TP9C100C20MP11	CF/CM/CU48D	0.98	1.02	0.96
TP9C120D20MP11	CF/CM/CU48D	0.97	1.03	0.95
TPLC080C16MP11	CF/CM/CU48C	0.98	1.03	0.96
TPLC100C16MP11	CF/CM/CU48C	0.98	1.03	0.96
TPLC100C20MP11	CF/CM/CU48D	0.97	1.01	0.96
TPLC120C20MP11	CF/CM/CU48D	0.97	1.01	0.96
YP9C080C16MP11	CF/CM/CU48D	0.98	1.04	0.94
YP9C100C16MP11	CF/CM/CU48D	0.98	1.04	0.94
YP9C100C20MP11	CF/CM/CU48C	0.98	1.01	0.96
YP9C100C20MP11	CF/CM/CU48D	0.98	1.02	0.96
YP9C120D20MP11	CF/CM/CU48D	0.97	1.03	0.95
YPLC080C16MP11	CF/CM/CU48C	0.98	1.03	0.96
YPLC100C16MP11	CF/CM/CU48C	0.98	1.03	0.96
YPLC100C20MP11	CF/CM/CU48D	0.97	1.01	0.96
YPLC120C20MP11	CF/CM/CU48D	0.97	1.01	0.96

## PERFORMANCE DATA - 3.5 TON

CONDENSER-ONLY DATA (OUTDOOR UNIT)																
MODEL	SATURATED SUCTION @ COMPRESSOR		Outdoor Ambient Temperature													
			65 °F		75 °F		85 °F		95 °F		105 °F		115 °F		125 °F	
	T (°F)	P (PSIG)	MBH	KW	MBH	KW	MBH	KW	MBH	KW	MBH	KW	MBH	KW	MBH	KW
YHE42B21H	35	107	39.2	2.01	35.9	2.15	32.6	2.30	29.3	2.44	26.0	2.58	22.7	2.72	19.4	2.87
	40	119	43.4	2.22	40.2	2.41	37.0	2.59	33.8	2.78	30.5	2.97	27.3	3.15	24.1	3.34
	45	130	47.7	2.43	44.5	2.66	41.4	2.89	38.2	3.12	35.1	3.35	31.9	3.58	28.8	3.81
	50	143	52.0	2.63	48.9	2.91	45.8	3.19	42.7	3.46	39.6	3.74	36.5	4.01	33.4	4.29
	55	156	56.2	2.84	53.2	3.16	50.2	3.48	47.2	3.80	44.1	4.12	41.1	4.44	38.1	4.76

## Notes:

- For Outdoor Unit (Condenser) performance only. Data does not include the effects of air handler power or heat.
- Performance based on 15°F subcooling and 15°F superheat at the Outdoor Unit base valves.
  - Increase capacity by 1% for each 2°F increase in subcooling.
  - Decrease capacity by 1% for each 2°F decrease in subcooling.
- Maximum recommended condensing temperature is 140°F.

COOLING PERFORMANCE DATA																
AIR CONDITIONER MODEL NO.		YHE42B21H														
AIR TEMP. ENTERING OUTDOOR UNIT (°F)	IDCFM	1100					1300					1500				
	ID DB (°F)	80	80	75	80	80	80	80	75	80	80	80	80	75	80	80
	ID WB (°F)	57	62	62	67	72	57	62	62	67	72	57	62	62	67	72
65	T.C.	38.7	42.5	42.5	45.5	46.6	40.5	43.5	43.5	45.8	46.4	42.4	44.6	44.6	46.1	46.2
	S.C.	38.1	32.8	28.6	27.3	21.1	40.4	35.0	29.9	28.2	21.8	42.7	37.2	31.2	29.1	22.4
	KW	2.73	2.77	2.76	2.78	2.78	2.83	2.85	2.84	2.86	2.86	2.92	2.93	2.92	2.93	2.93
75	T.C.	37.0	41.7	41.7	46.2	48.0	39.8	43.2	43.1	46.6	47.8	42.5	44.8	44.5	46.9	47.7
	S.C.	36.4	32.9	28.3	28.0	21.5	39.1	36.1	30.8	29.4	22.6	41.8	39.3	33.3	30.8	23.8
	KW	2.95	3.02	3.01	3.04	3.04	3.06	3.10	3.09	3.12	3.12	3.17	3.19	3.18	3.20	3.20
85	T.C.	35.2	38.9	39.1	43.3	46.7	37.6	40.2	40.3	44.4	47.1	40.1	41.5	41.4	45.6	47.5
	S.C.	34.5	31.7	27.1	26.9	21.4	37.0	34.6	29.5	28.7	22.3	39.4	37.5	31.9	30.5	23.2
	KW	3.17	3.24	3.23	3.29	3.33	3.29	3.33	3.32	3.38	3.41	3.41	3.42	3.42	3.47	3.50
95	T.C.	33.4	36.2	36.5	40.3	45.4	35.5	37.2	37.4	42.3	46.4	37.7	38.3	38.3	44.2	47.4
	S.C.	32.7	30.4	25.9	25.9	21.3	34.9	33.1	28.3	28.1	21.9	37.0	35.7	30.6	30.2	22.6
	KW	3.39	3.46	3.45	3.54	3.61	3.52	3.56	3.55	3.64	3.70	3.66	3.66	3.66	3.74	3.80
105	T.C.	31.2	33.1	33.2	37.1	41.6	33.2	34.3	34.2	38.6	42.8	35.1	35.5	35.2	40.2	44.0
	S.C.	30.6	29.3	24.6	24.8	20.0	32.5	31.7	27.0	26.9	20.7	34.5	34.1	29.4	29.0	21.5
	KW	3.63	3.68	3.66	3.78	3.87	3.77	3.79	3.77	3.89	3.97	3.91	3.90	3.89	3.99	4.07
115	T.C.	29.1	30.1	29.8	33.8	37.8	30.8	31.4	30.9	35.0	39.2	32.5	32.6	32.1	36.1	40.7
	S.C.	28.5	28.1	23.3	23.7	18.6	30.2	30.3	25.7	25.8	19.5	31.9	32.4	28.2	27.9	20.4
	KW	3.86	3.89	3.87	4.03	4.14	4.01	4.01	3.99	4.13	4.24	4.16	4.14	4.11	4.23	4.35
125	T.C.	26.9	27.0	26.5	30.6	34.0	28.4	28.4	27.7	31.3	35.6	29.9	29.8	28.9	32.1	37.3
	S.C.	26.4	26.9	21.9	22.5	17.3	27.9	28.8	24.5	24.6	18.3	29.3	30.8	27.0	26.7	19.3
	KW	4.10	4.10	4.08	4.27	4.40	4.26	4.24	4.21	4.37	4.51	4.41	4.38	4.34	4.48	4.63

**NOTE:** ALL CAPACITIES INCLUDE INDOOR FAN HEAT. KW VALUES ARE FOR THE SYSTEM (OUTDOOR + INDOOR).

Green shaded cells are ACCA (TVA) conditions.

Blue shaded cells are AHRI conditions.

## Multipliers for determining the performance with other indoor sections.

**NOTE:** For dry bulb temperatures different than those listed (between 73-87 °F), sensible capacity increases by 1060 BTUH per 1000 CFM per degree above the listed temperature and decreases by 1060 BTUH per 1000 CFM per degree below the listed temperature.

**COIL MULTIPLIERS - 3.5 TON**

Air Handler	Coil	T.C.	S.C.	KW
AE42CX21	CF/CM42C	1.01	1.04	0.95
AE48CX21	-	1.01	1.02	0.91
AE48DX21	-	1.01	1.02	0.91
AE60CX21	-	1.00	1.00	0.95
AVC42CX21	-	1.01	1.01	0.93
AVC48CX21	-	1.00	1.02	0.93
AVC48DX21	-	0.99	1.02	0.90
AVC60CX21	-	1.00	1.00	0.89
ME14DN21	CF/CM48D	1.02	1.04	0.92
ME14DN21	CF/CM60D	1.01	1.02	0.90
ME16CN21	CF/CM48C	1.01	1.05	0.90
ME16CN21	CF/CM60C	1.01	1.02	0.90
ME20DN21	CF/CM48D	0.97	1.01	0.91
ME20DN21	CF/CM60D	0.96	1.00	0.89
MVC14DN21	CF/CM48D	0.99	1.00	0.90
MVC14DN21	CF/CM60D	1.01	1.04	0.91
MVC16CN21	CF/CM48C	1.00	1.02	0.91
MVC20DN21	CF/CM48D	0.99	1.01	0.90
MVC20DN21	CF/CM60D	1.01	1.01	0.89

**FURNACE MULTIPLIERS - 3.5 TON**

Furnaces	Coil	T.C.	S.C.	KW
TM8V080C16MP11	CF/CM/CU48D	0.99	1.00	0.94
TM8V080C16MP11	CF/CM/CU60D	0.99	0.99	0.92
TM8V100C16MP11	CF/CM/CU48D	0.99	1.00	0.94
TM8V100C16MP11	CF/CM/CU60D	0.99	0.99	0.92
TM8V100C20MP11	CF/CM/CU48C	1.01	1.03	0.93
TM8V100C20MP11	CF/CM/CU48D	1.01	1.04	0.93
TM8V100C20MP11	CF/CM/CU60C	1.01	1.03	0.93
TM8V100C20MP11	CF/CM/CU60D	1.01	1.03	0.93
TM8V120C20MP11	CF/CM/CU48C	1.01	1.03	0.93
TM8V120C20MP11	CF/CM/CU48D	1.01	1.04	0.93
TM8V120C20MP11	CF/CM/CU60C	1.01	1.03	0.93
TM8V120C20MP11	CF/CM/CU60D	1.01	1.03	0.93
TM8X080C16MP11	CF/CM/CU48C	1.02	1.03	0.94
TM8X080C16MP11	CF/CM/CU48D	1.02	1.03	0.94
TM8X080C16MP11	CF/CM/CU60C	1.02	1.03	0.94
TM8X080C16MP11	CF/CM/CU60D	1.01	1.04	0.91
TM8X100C16MP11	CF/CM/CU48C	1.02	1.03	0.94
TM8X100C16MP11	CF/CM/CU48D	1.02	1.03	0.94
TM8X100C16MP11	CF/CM/CU60C	1.02	1.03	0.94
TM8X100C16MP11	CF/CM/CU60D	1.01	1.04	0.91
TM8X100C20MP11	CF/CM/CU48C	1.00	1.02	0.93
TM8X100C20MP11	CF/CM/CU48D	1.00	1.02	0.93
TM8X100C20MP11	CF/CM/CU60C	1.00	1.02	0.91
TM8X100C20MP11	CF/CM/CU60D	1.00	1.02	0.91
TM8X120C20MP11	CF/CM/CU48C	1.00	1.02	0.93
TM8X120C20MP11	CF/CM/CU48D	1.00	1.02	0.93
TM8X120C20MP11	CF/CM/CU60C	1.00	1.02	0.91
TM8X120C20MP11	CF/CM/CU60D	1.00	1.02	0.91
TM8Y080C16MP11	CF/CM/CU48C	1.02	1.03	0.94
TM8Y080C16MP11	CF/CM/CU48D	1.02	1.03	0.94
TM8Y080C16MP11	CF/CM/CU60C	1.02	1.03	0.94
TM8Y080C16MP11	CF/CM/CU60D	1.01	1.04	0.91
TM8Y100C16MP11	CF/CM/CU48C	1.02	1.03	0.94
TM8Y100C16MP11	CF/CM/CU48D	1.02	1.03	0.94

**FURNACE MULTIPLIERS - 3.5 TON (Continued)**

Furnaces	Coil	T.C.	S.C.	KW
TM8Y100C16MP11	CF/CM/CU60C	1.02	1.03	0.94
TM8Y100C16MP11	CF/CM/CU60D	1.01	1.04	0.91
TM8Y100C20MP11	CF/CM/CU48C	1.00	1.02	0.93
TM8Y100C20MP11	CF/CM/CU48D	1.00	1.02	0.93
TM8Y100C20MP11	CF/CM/CU60C	1.00	1.02	0.91
TM8Y100C20MP11	CF/CM/CU60D	1.00	1.02	0.91
TM8Y120C20MP11	CF/CM/CU48C	1.00	1.02	0.93
TM8Y120C20MP11	CF/CM/CU48D	1.00	1.02	0.93
TM8Y120C20MP11	CF/CM/CU60C	1.00	1.02	0.91
TM8Y120C20MP11	CF/CM/CU60D	1.00	1.02	0.91
TM9E080C16MP11	CF/CM/CU48C	1.02	1.03	0.96
TM9E080C16MP11	CF/CM/CU48D	1.01	1.04	0.93
TM9E080C16MP11	CF/CM/CU60D	1.02	1.03	0.94
TM9E100C16MP11	CF/CM/CU48C	1.02	1.03	0.96
TM9E100C16MP11	CF/CM/CU48D	1.01	1.04	0.93
TM9E100C16MP11	CF/CM/CU60D	1.02	1.03	0.94
TM9E100C20MP11	CF/CM/CU48C	1.01	1.04	0.93
TM9E100C20MP11	CF/CM/CU48D	1.01	1.04	0.93
TM9E100C20MP11	CF/CM/CU60C	1.01	1.04	0.91
TM9E100C20MP11	CF/CM/CU60D	1.01	1.03	0.91
TM9E120D20MP11	CF/CM/CU48D	1.01	1.03	0.91
TM9E120D20MP11	CF/CM/CU60D	1.01	1.04	0.91
TM9V080C16MP11	CF/CM/CU48C	1.00	1.01	0.95
TM9V080C16MP11	CF/CM/CU60C	1.02	1.03	0.92
TM9V080C16MP11	CF/CM/CU60D	0.97	1.00	0.93
TM9V100C16MP11	CF/CM/CU48C	1.00	1.01	0.95
TM9V100C16MP11	CF/CM/CU60C	1.02	1.03	0.92
TM9V100C16MP11	CF/CM/CU60D	0.97	1.00	0.93
TM9V100C20MP11	CF/CM/CU48C	1.02	1.03	0.96
TM9V100C20MP11	CF/CM/CU60C	1.02	1.04	0.96
TM9V120D20MP11	CF/CM/CU48D	1.01	1.03	0.93
TM9V120D20MP11	CF/CM/CU60D	1.01	1.03	0.91
TM9Y080C16MP11	CF/CM/CU48C	1.02	1.03	0.96
TM9Y080C16MP11	CF/CM/CU48D	1.01	1.04	0.93
TM9Y080C16MP11	CF/CM/CU60D	1.02	1.03	0.94
TM9Y100C16MP11	CF/CM/CU48C	1.02	1.03	0.96
TM9Y100C16MP11	CF/CM/CU48D	1.01	1.04	0.93
TM9Y100C16MP11	CF/CM/CU60D	1.02	1.03	0.94
TM9Y100C20MP11	CF/CM/CU48C	1.01	1.04	0.93
TM9Y100C20MP11	CF/CM/CU48D	1.01	1.04	0.93
TM9Y100C20MP11	CF/CM/CU60C	1.01	1.04	0.91
TM9Y100C20MP11	CF/CM/CU60D	1.01	1.03	0.91
TM9Y120D20MP11	CF/CM/CU48D	1.01	1.03	0.91
TM9Y120D20MP11	CF/CM/CU60D	1.01	1.04	0.91
TMLV080C16MP11	CF/CM/CU48D	0.99	1.00	0.94
TMLV080C16MP11	CF/CM/CU60D	0.99	0.99	0.92
TMLV100C16MP11	CF/CM/CU48D	0.99	1.00	0.94
TMLV100C16MP11	CF/CM/CU60D	0.99	0.99	0.92
TMLV100C20MP11	CF/CM/CU48C	1.01	1.03	0.93
TMLV100C20MP11	CF/CM/CU48D	1.01	1.04	0.93
TMLV100C20MP11	CF/CM/CU60C	1.01	1.03	0.93
TMLV100C20MP11	CF/CM/CU60D	1.01	1.03	0.93
TMLV120C20MP11	CF/CM/CU48C	1.01	1.03	0.93
TMLV120C20MP11	CF/CM/CU48D	1.01	1.04	0.93
TMLV120C20MP11	CF/CM/CU60C	1.01	1.03	0.93
TMLV120C20MP11	CF/CM/CU60D	1.01	1.03	0.93

**FURNACE MULTIPLIERS - 3.5 TON (Continued)**

Furnaces	Coil	T.C.	S.C.	KW
TMLX080C16MP11	CF/CM/CU48C	1.02	1.03	0.94
TMLX080C16MP11	CF/CM/CU48D	1.02	1.03	0.94
TMLX080C16MP11	CF/CM/CU60C	1.02	1.03	0.94
TMLX080C16MP11	CF/CM/CU60D	1.01	1.04	0.91
TMLX100C16MP11	CF/CM/CU48C	1.02	1.03	0.94
TMLX100C16MP11	CF/CM/CU48D	1.02	1.03	0.94
TMLX100C16MP11	CF/CM/CU60C	1.02	1.03	0.94
TMLX100C16MP11	CF/CM/CU60D	1.01	1.04	0.91
TMLX100C20MP11	CF/CM/CU48C	1.00	1.02	0.93
TMLX100C20MP11	CF/CM/CU48D	1.00	1.02	0.93
TMLX100C20MP11	CF/CM/CU60C	1.00	1.02	0.91
TMLX100C20MP11	CF/CM/CU60D	1.00	1.02	0.91
TMLX120C20MP11	CF/CM/CU48C	1.00	1.02	0.93
TMLX120C20MP11	CF/CM/CU48D	1.00	1.02	0.93
TMLX120C20MP11	CF/CM/CU60C	1.00	1.02	0.91
TMLX120C20MP11	CF/CM/CU60D	1.00	1.02	0.91
TP9C080C16MP11	CF/CM/CU48C	1.00	1.01	0.95
TP9C080C16MP11	CF/CM/CU60C	1.02	1.03	0.92
TP9C080C16MP11	CF/CM/CU60D	0.97	1.00	0.93
TP9C100C16MP11	CF/CM/CU48C	1.00	1.01	0.95
TP9C100C16MP11	CF/CM/CU60C	1.02	1.03	0.92
TP9C100C16MP11	CF/CM/CU60D	0.97	1.00	0.93
TP9C100C20MP11	CF/CM/CU48C	1.02	1.03	0.96
TP9C100C20MP11	CF/CM/CU60C	1.02	1.04	0.96
TP9C120D20MP11	CF/CM/CU48D	1.01	1.03	0.93
TP9C120D20MP11	CF/CM/CU60D	1.01	1.03	0.91
TPLC080C16MP11	CF/CM/CU48D	0.99	1.00	0.94
TPLC080C16MP11	CF/CM/CU60D	0.99	0.99	0.92
TPLC100C16MP11	CF/CM/CU48D	0.99	1.00	0.94
TPLC100C16MP11	CF/CM/CU60D	0.99	0.99	0.92
TPLC100C20MP11	CF/CM/CU48C	1.01	1.03	0.93

**FURNACE MULTIPLIERS - 3.5 TON (Continued)**

Furnaces	Coil	T.C.	S.C.	KW
TPLC100C20MP11	CF/CM/CU48D	1.01	1.04	0.93
TPLC100C20MP11	CF/CM/CU60C	1.01	1.03	0.93
TPLC100C20MP11	CF/CM/CU60D	1.01	1.03	0.93
TPLC120C20MP11	CF/CM/CU48C	1.01	1.03	0.93
TPLC120C20MP11	CF/CM/CU48D	1.01	1.04	0.93
TPLC120C20MP11	CF/CM/CU60C	1.01	1.03	0.93
TPLC120C20MP11	CF/CM/CU60D	1.01	1.03	0.93
YP9C080C16MP11	CF/CM/CU48C	1.00	1.01	0.95
YP9C080C16MP11	CF/CM/CU60C	1.02	1.03	0.92
YP9C080C16MP11	CF/CM/CU60D	0.97	1.00	0.93
YP9C100C16MP11	CF/CM/CU48C	1.00	1.01	0.95
YP9C100C16MP11	CF/CM/CU60C	1.02	1.03	0.92
YP9C100C16MP11	CF/CM/CU60D	0.97	1.00	0.93
YP9C100C20MP11	CF/CM/CU48C	1.02	1.03	0.96
YP9C100C20MP11	CF/CM/CU60C	1.02	1.04	0.96
YP9C120D20MP11	CF/CM/CU48D	1.01	1.03	0.93
YP9C120D20MP11	CF/CM/CU60D	1.01	1.03	0.91
YPLC080C16MP11	CF/CM/CU48D	0.99	1.00	0.94
YPLC080C16MP11	CF/CM/CU60D	0.99	0.99	0.92
YPLC100C16MP11	CF/CM/CU48D	0.99	1.00	0.94
YPLC100C16MP11	CF/CM/CU60D	0.99	0.99	0.92
YPLC100C20MP11	CF/CM/CU48C	1.01	1.03	0.93
YPLC100C20MP11	CF/CM/CU48D	1.01	1.04	0.93
YPLC100C20MP11	CF/CM/CU60C	1.01	1.03	0.93
YPLC100C20MP11	CF/CM/CU60D	1.01	1.03	0.93
YPLC120C20MP11	CF/CM/CU48C	1.01	1.03	0.93
YPLC120C20MP11	CF/CM/CU48D	1.01	1.04	0.93
YPLC120C20MP11	CF/CM/CU60C	1.01	1.03	0.93
YPLC120C20MP11	CF/CM/CU60D	1.01	1.03	0.93

HEATING PERFORMANCE DATA										
CONDENSING UNIT MODEL NO		YHE42B21H								
AIR TEMP. ENTERING OUTDOOR UNIT (°F)	AIR TEMP. ENTERING INDOOR COIL (°F)	ID CFM								
		1100			1300			1500		
		MBH	COP	KW	MBH	COP	KW	MBH	COP	KW
60	60	50.8	4.37	3.41	53.9	4.78	3.30	57.0	5.19	3.19
	70	48.1	3.97	3.55	51.6	4.33	3.49	55.1	4.69	3.43
	80	45.5	3.61	3.69	49.3	3.92	3.68	53.1	4.23	3.67
47	60	41.7	4.00	3.05	45.7	4.37	3.06	49.7	4.74	3.07
	70	39.9	3.65	3.20	43.0	3.93	3.21	46.1	4.21	3.22
	80	38.0	3.33	3.34	40.4	3.53	3.35	42.8	3.73	3.36
40	60	38.1	3.85	2.90	40.4	4.07	2.91	42.7	4.29	2.92
	70	36.2	3.50	3.03	38.5	3.68	3.06	40.8	3.86	3.09
	80	34.3	3.17	3.16	36.6	3.33	3.22	38.9	3.49	3.28
30	60	32.4	3.53	2.69	32.5	3.58	2.66	32.6	3.63	2.63
	70	30.6	3.22	2.79	31.4	3.28	2.80	32.2	3.34	2.81
	80	28.8	2.93	2.88	30.3	3.01	2.95	31.8	3.09	3.02
17	60	24.4	3.04	2.34	23.9	2.94	2.39	23.4	2.84	2.44
	70	21.6	2.72	2.33	20.4	2.54	2.35	19.2	2.36	2.37
	80	18.9	2.38	2.33	16.9	2.14	2.31	14.9	1.90	2.29
10	60	15.7	2.36	1.95	14.7	2.16	1.99	13.70	1.96	2.03
	70	14.7	2.16	2.00	19.8	2.47	2.35	24.9	2.78	2.70
	80	13.8	1.96	2.05	25.0	2.69	2.72	36.2	3.42	3.39

**NOTE:** ALL CAPACITIES INCLUDE INDOOR FAN HEAT. KW VALUES ARE FOR THE SYSTEM (OUTDOOR + INDOOR).

Yellow shaded cells are AHRI High Heating conditions.

Orange shaded cells are AHRI Low Heating conditions.

**Multipliers for determining the performance with other indoor sections.**

#### COIL MULTIPLIERS - 3.5 TON

Air Handler	Coil	MBH	COP	KW
AE42CX21	CF/CM42C	0.98	0.96	1.02
AE48CX21	–	0.99	0.97	1.02
AE48DX21	–	0.99	0.98	1.01
AE60CX21	–	1.01	0.94	1.07
AVC42CX21	–	1.00	0.96	1.04
AVC48CX21	–	0.99	0.96	1.03
AVC48DX21	–	0.99	0.97	1.02
AVC60CX21	–	0.99	0.98	1.02
ME14DN21	CF/CM48D	1.00	0.98	1.02
ME14DN21	CF/CM60D	0.99	0.99	1.00
ME16CN21	CF/CM48C	1.00	0.99	1.02
ME16CN21	CF/CM60C	0.99	0.98	1.01
ME20DN21	CF/CM48D	0.98	0.96	1.02
ME20DN21	CF/CM60D	0.98	0.96	1.02
MVC14DN21	CF/CM48D	0.99	0.96	1.03
MVC14DN21	CF/CM60D	1.00	0.98	1.03
MVC16CN21	CF/CM48C	0.99	0.98	1.02
MVC20DN21	CF/CM48D	0.99	0.97	1.03
MVC20DN21	CF/CM60D	0.99	0.98	1.00

## FURNACE MULTIPLIERS - 3.5 TON

Furnaces	Coil	MBH	COP	KW
TM8V080C16MP11	CF/CM/CU48D	0.99	0.95	1.04
TM8V080C16MP11	CF/CM/CU60D	0.99	0.95	1.04
TM8V100C16MP11	CF/CM/CU48D	0.99	0.95	1.04
TM8V100C16MP11	CF/CM/CU60D	0.99	0.95	1.04
TM8V100C20MP11	CF/CM/CU48C	1.00	0.96	1.04
TM8V100C20MP11	CF/CM/CU48D	1.00	0.97	1.03
TM8V100C20MP11	CF/CM/CU60C	1.00	0.97	1.04
TM8V100C20MP11	CF/CM/CU60D	1.00	0.97	1.04
TM8V120C20MP11	CF/CM/CU48C	1.00	0.96	1.04
TM8V120C20MP11	CF/CM/CU48D	1.00	0.97	1.03
TM8V120C20MP11	CF/CM/CU60C	1.00	0.97	1.04
TM8V120C20MP11	CF/CM/CU60D	1.00	0.97	1.04
TM8X080C16MP11	CF/CM/CU48C	1.01	0.97	1.04
TM8X080C16MP11	CF/CM/CU48D	1.01	0.97	1.04
TM8X080C16MP11	CF/CM/CU60C	1.00	0.96	1.04
TM8X080C16MP11	CF/CM/CU60D	1.00	0.97	1.03
TM8X100C16MP11	CF/CM/CU48C	1.01	0.97	1.04
TM8X100C16MP11	CF/CM/CU48D	1.01	0.97	1.04
TM8X100C16MP11	CF/CM/CU60C	1.00	0.96	1.04
TM8X100C16MP11	CF/CM/CU60D	1.00	0.97	1.03
TM8X100C20MP11	CF/CM/CU48C	0.99	0.96	1.03
TM8X100C20MP11	CF/CM/CU48D	0.99	0.97	1.03
TM8X100C20MP11	CF/CM/CU60C	0.99	0.96	1.03
TM8X100C20MP11	CF/CM/CU60D	0.99	0.96	1.03
TM8X120C20MP11	CF/CM/CU48C	0.99	0.96	1.03
TM8X120C20MP11	CF/CM/CU48D	0.99	0.97	1.03
TM8X120C20MP11	CF/CM/CU60C	0.99	0.96	1.03
TM8X120C20MP11	CF/CM/CU60D	0.99	0.96	1.03
TM8Y080C16MP11	CF/CM/CU48C	1.01	0.97	1.04
TM8Y080C16MP11	CF/CM/CU48D	1.01	0.97	1.04
TM8Y080C16MP11	CF/CM/CU60C	1.00	0.96	1.04
TM8Y080C16MP11	CF/CM/CU60D	1.00	0.97	1.03
TM8Y100C16MP11	CF/CM/CU48C	1.01	0.97	1.04
TM8Y100C16MP11	CF/CM/CU48D	1.01	0.97	1.04
TM8Y100C16MP11	CF/CM/CU60C	1.00	0.96	1.04
TM8Y100C16MP11	CF/CM/CU60D	1.00	0.97	1.03
TM8Y100C20MP11	CF/CM/CU48C	0.99	0.96	1.03
TM8Y100C20MP11	CF/CM/CU48D	0.99	0.97	1.03
TM8Y100C20MP11	CF/CM/CU60C	0.99	0.96	1.03
TM8Y100C20MP11	CF/CM/CU60D	0.99	0.96	1.03
TM8Y120C20MP11	CF/CM/CU48C	0.99	0.96	1.03
TM8Y120C20MP11	CF/CM/CU48D	0.99	0.97	1.03
TM8Y120C20MP11	CF/CM/CU60C	0.99	0.96	1.03
TM8Y120C20MP11	CF/CM/CU60D	0.99	0.96	1.03
TM9E080C16MP11	CF/CM/CU48C	1.01	0.96	1.05
TM9E080C16MP11	CF/CM/CU48D	1.00	0.97	1.04
TM9E080C16MP11	CF/CM/CU60D	1.01	0.96	1.06
TM9E100C16MP11	CF/CM/CU48C	1.01	0.96	1.05
TM9E100C16MP11	CF/CM/CU48D	1.00	0.97	1.04
TM9E100C16MP11	CF/CM/CU60D	1.01	0.96	1.06
TM9E100C20MP11	CF/CM/CU48C	1.00	0.97	1.03
TM9E100C20MP11	CF/CM/CU48D	1.00	0.97	1.03
TM9E100C20MP11	CF/CM/CU60C	1.00	0.97	1.04
TM9E100C20MP11	CF/CM/CU60D	1.00	0.97	1.03
TM9E120D20MP11	CF/CM/CU48D	1.00	0.97	1.03

## FURNACE MULTIPLIERS - 3.5 TON (Continued)

Furnaces	Coil	MBH	COP	KW
TM9E120D20MP11	CF/CM/CU60D	1.00	0.97	1.03
TM9V080C16MP11	CF/CM/CU48C	0.99	0.95	1.04
TM9V080C16MP11	CF/CM/CU60C	1.00	0.97	1.03
TM9V080C16MP11	CF/CM/CU60D	0.99	0.94	1.06
TM9V100C16MP11	CF/CM/CU48C	0.99	0.95	1.04
TM9V100C16MP11	CF/CM/CU60C	1.00	0.97	1.03
TM9V100C16MP11	CF/CM/CU60D	0.99	0.94	1.06
TM9V100C20MP11	CF/CM/CU48C	1.01	0.96	1.05
TM9V100C20MP11	CF/CM/CU60C	1.00	0.95	1.05
TM9V120D20MP11	CF/CM/CU48D	1.00	0.97	1.03
TM9V120D20MP11	CF/CM/CU60D	1.00	0.97	1.03
TM9Y080C16MP11	CF/CM/CU48C	1.01	0.96	1.05
TM9Y080C16MP11	CF/CM/CU48D	1.00	0.97	1.04
TM9Y080C16MP11	CF/CM/CU60D	1.01	0.96	1.06
TM9Y100C16MP11	CF/CM/CU48C	1.01	0.96	1.05
TM9Y100C16MP11	CF/CM/CU48D	1.00	0.97	1.04
TM9Y100C16MP11	CF/CM/CU60D	1.01	0.96	1.06
TM9Y100C20MP11	CF/CM/CU48C	1.00	0.97	1.03
TM9Y100C20MP11	CF/CM/CU48D	1.00	0.97	1.03
TM9Y100C20MP11	CF/CM/CU60C	1.00	0.97	1.04
TM9Y100C20MP11	CF/CM/CU60D	1.00	0.97	1.03
TM9Y120D20MP11	CF/CM/CU48D	1.00	0.97	1.03
TM9Y120D20MP11	CF/CM/CU60D	1.00	0.97	1.03
TMLV080C16MP11	CF/CM/CU48D	0.99	0.95	1.04
TMLV080C16MP11	CF/CM/CU60D	0.99	0.95	1.04
TMLV100C16MP11	CF/CM/CU48D	0.99	0.95	1.04
TMLV100C16MP11	CF/CM/CU60D	0.99	0.95	1.04
TMLV100C20MP11	CF/CM/CU48C	1.00	0.96	1.04
TMLV100C20MP11	CF/CM/CU48D	1.00	0.97	1.03
TMLV100C20MP11	CF/CM/CU60C	1.00	0.97	1.04
TMLV100C20MP11	CF/CM/CU60D	1.00	0.97	1.04
TMLV120C20MP11	CF/CM/CU48C	1.00	0.96	1.04
TMLV120C20MP11	CF/CM/CU48D	1.00	0.97	1.03
TMLV120C20MP11	CF/CM/CU60C	1.00	0.97	1.04
TMLV120C20MP11	CF/CM/CU60D	1.00	0.97	1.04
TMLX080C16MP11	CF/CM/CU48C	1.01	0.97	1.04
TMLX080C16MP11	CF/CM/CU48D	1.01	0.97	1.04
TMLX080C16MP11	CF/CM/CU60C	1.00	0.96	1.04
TMLX080C16MP11	CF/CM/CU60D	1.00	0.97	1.03
TMLX100C16MP11	CF/CM/CU48C	1.01	0.97	1.04
TMLX100C16MP11	CF/CM/CU48D	1.01	0.97	1.04
TMLX100C16MP11	CF/CM/CU60C	1.00	0.96	1.04
TMLX100C16MP11	CF/CM/CU60D	1.00	0.97	1.04
TMLX100C16MP11	CF/CM/CU60D	1.00	0.97	1.03
TMLX100C20MP11	CF/CM/CU48C	0.99	0.96	1.03
TMLX100C20MP11	CF/CM/CU48D	0.99	0.97	1.03
TMLX100C20MP11	CF/CM/CU60C	0.99	0.96	1.03
TMLX100C20MP11	CF/CM/CU60D	0.99	0.96	1.03
TMLX120C20MP11	CF/CM/CU48C	0.99	0.96	1.03
TMLX120C20MP11	CF/CM/CU48D	0.99	0.97	1.03
TMLX120C20MP11	CF/CM/CU60C	0.99	0.96	1.03
TMLX120C20MP11	CF/CM/CU60D	0.99	0.96	1.03
TP9C080C16MP11	CF/CM/CU48C	0.99	0.95	1.04
TP9C080C16MP11	CF/CM/CU60C	1.00	0.97	1.03
TP9C080C16MP11	CF/CM/CU60D	0.99	0.94	1.06
TP9C100C16MP11	CF/CM/CU48C	0.99	0.95	1.04

**FURNACE MULTIPLIERS - 3.5 TON (Continued)**

Furnaces	Coil	MBH	COP	KW
TP9C100C16MP11	CF/CM/CU60C	1.00	0.97	1.03
TP9C100C16MP11	CF/CM/CU60D	0.99	0.94	1.06
TP9C100C20MP11	CF/CM/CU48C	1.01	0.96	1.05
TP9C100C20MP11	CF/CM/CU60C	1.00	0.95	1.05
TP9C120D20MP11	CF/CM/CU48D	1.00	0.97	1.03
TP9C120D20MP11	CF/CM/CU60D	1.00	0.97	1.03
TPLC080C16MP11	CF/CM/CU48D	0.99	0.95	1.04
TPLC080C16MP11	CF/CM/CU60D	0.99	0.95	1.04
TPLC100C16MP11	CF/CM/CU48D	0.99	0.95	1.04
TPLC100C16MP11	CF/CM/CU60D	0.99	0.95	1.04
TPLC100C20MP11	CF/CM/CU48C	1.00	0.96	1.04
TPLC100C20MP11	CF/CM/CU48D	1.00	0.97	1.03
TPLC100C20MP11	CF/CM/CU60C	1.00	0.97	1.04
TPLC100C20MP11	CF/CM/CU60D	1.00	0.97	1.04
TPLC120C20MP11	CF/CM/CU48C	1.00	0.96	1.04
TPLC120C20MP11	CF/CM/CU48D	1.00	0.97	1.03
TPLC120C20MP11	CF/CM/CU60C	1.00	0.97	1.04
TPLC120C20MP11	CF/CM/CU60D	1.00	0.97	1.04
YP9C080C16MP11	CF/CM/CU48C	0.99	0.95	1.04
YP9C080C16MP11	CF/CM/CU60C	1.00	0.97	1.03
YP9C080C16MP11	CF/CM/CU60D	0.99	0.94	1.06

**FURNACE MULTIPLIERS - 3.5 TON (Continued)**

Furnaces	Coil	MBH	COP	KW
YP9C100C16MP11	CF/CM/CU48C	0.99	0.95	1.04
YP9C100C16MP11	CF/CM/CU60C	1.00	0.97	1.03
YP9C100C16MP11	CF/CM/CU60D	0.99	0.94	1.06
YP9C100C20MP11	CF/CM/CU48C	1.01	0.96	1.05
YP9C100C20MP11	CF/CM/CU60C	1.00	0.95	1.05
YP9C120D20MP11	CF/CM/CU48D	1.00	0.97	1.03
YP9C120D20MP11	CF/CM/CU60D	1.00	0.97	1.03
YPLC080C16MP11	CF/CM/CU48D	0.99	0.95	1.04
YPLC080C16MP11	CF/CM/CU60D	0.99	0.95	1.04
YPLC100C16MP11	CF/CM/CU48D	0.99	0.95	1.04
YPLC100C16MP11	CF/CM/CU60D	0.99	0.95	1.04
YPLC100C20MP11	CF/CM/CU48C	1.00	0.96	1.04
YPLC100C20MP11	CF/CM/CU48D	1.00	0.97	1.03
YPLC100C20MP11	CF/CM/CU60C	1.00	0.97	1.04
YPLC100C20MP11	CF/CM/CU60D	1.00	0.97	1.04
YPLC120C20MP11	CF/CM/CU48C	1.00	0.96	1.04
YPLC120C20MP11	CF/CM/CU48D	1.00	0.97	1.03
YPLC120C20MP11	CF/CM/CU60C	1.00	0.97	1.04
YPLC120C20MP11	CF/CM/CU60D	1.00	0.97	1.04



## PERFORMANCE DATA - 4 TON

CONDENSER-ONLY DATA (OUTDOOR UNIT)																
MODEL	SATURATED SUCTION @ COMPRESSOR		Outdoor Ambient Temperature													
			65 °F		75 °F		85 °F		95 °F		105 °F		115 °F		125 °F	
	T (°F)	P (PSIG)	MBH	KW	MBH	KW	MBH	KW	MBH	KW	MBH	KW	MBH	KW	MBH	KW
YHE48B21S	35	107	44.4	2.14	41.4	2.33	38.5	2.52	35.5	2.71	32.5	2.90	29.5	3.09	26.5	3.28
	40	119	49.8	2.40	46.5	2.61	43.3	2.83	40.1	3.04	36.9	3.26	33.7	3.47	30.4	3.68
	45	130	55.1	2.66	51.7	2.90	48.2	3.14	44.7	3.38	41.3	3.61	37.8	3.85	34.3	4.09
	50	143	60.5	2.92	56.8	3.18	53.1	3.45	49.3	3.71	45.6	3.97	41.9	4.24	38.2	4.50
	55	156	65.8	3.18	61.9	3.47	57.9	3.76	54.0	4.05	50.0	4.33	46.1	4.62	42.1	4.91

## Notes:

- For Outdoor Unit (Condenser) performance only. Data does not include the effects of air handler power or heat.
- Performance based on 15°F subcooling and 15°F superheat at the Outdoor Unit base valves.
  - Increase capacity by 1% for each 2°F increase in subcooling.
  - Decrease capacity by 1% for each 2°F decrease in subcooling.
- Maximum recommended condensing temperature is 140°F.

COOLING PERFORMANCE DATA																
AIR CONDITIONER MODEL NO.		YHE48B21S														
AIR TEMP. ENTERING OUTDOOR UNIT (°F)	IDCFM	1400					1600					1800				
	ID DB (°F)	80	80	75	80	80	80	80	75	80	80	80	80	75	80	80
	ID WB (°F)	57	62	62	67	72	57	62	62	67	72	57	62	62	67	72
65	T.C.	44.6	47.8	47.9	52.0	55.4	45.7	48.1	48.2	52.1	55.2	48.2	49.9	49.9	53.7	56.7
	S.C.	43.1	40.5	34.5	33.6	25.7	44.8	43.1	36.6	35.1	26.6	46.6	45.8	38.7	36.8	27.5
	KW	2.95	2.98	2.97	2.99	3.01	3.06	3.07	3.06	3.09	3.10	3.12	3.13	3.12	3.14	3.16
75	T.C.	43.2	45.9	46.2	50.8	56.2	44.4	46.4	46.5	51.1	56.4	47.0	48.2	48.2	53.0	58.3
	S.C.	41.7	39.7	33.7	33.8	26.5	43.4	42.5	36.0	35.6	27.8	45.2	45.3	38.3	37.5	29.2
	KW	3.22	3.25	3.23	3.26	3.27	3.32	3.34	3.32	3.36	3.37	3.38	3.40	3.38	3.41	3.43
85	T.C.	41.5	43.8	44.0	48.5	54.0	42.6	44.3	44.2	48.7	54.2	45.1	46.1	45.8	50.4	56.0
	S.C.	39.9	38.5	32.7	32.8	25.7	41.5	41.2	34.9	34.8	27.0	43.3	44.0	37.2	36.9	28.4
	KW	3.57	3.59	3.57	3.60	3.62	3.68	3.69	3.68	3.71	3.72	3.74	3.75	3.73	3.76	3.77
95	T.C.	39.7	41.7	41.7	46.1	51.8	40.8	42.2	42.0	46.3	51.9	43.2	43.9	43.5	47.8	53.6
	S.C.	38.1	37.3	31.6	31.8	24.8	39.7	39.9	33.7	34.0	26.2	41.3	42.6	36.0	36.2	27.5
	KW	3.93	3.93	3.92	3.95	3.96	4.04	4.04	4.03	4.06	4.07	4.09	4.10	4.08	4.11	4.12
105	T.C.	38.0	39.3	39.2	43.5	48.7	39.0	39.9	39.5	43.6	48.9	41.2	41.7	40.9	45.1	50.5
	S.C.	36.5	36.4	30.6	31.0	23.9	37.9	38.5	32.8	33.1	25.3	39.5	40.7	35.1	35.3	26.8
	KW	4.43	4.42	4.42	4.45	4.45	4.54	4.54	4.53	4.55	4.56	4.58	4.59	4.57	4.60	4.61
115	T.C.	36.3	36.9	36.7	40.9	45.7	37.2	37.6	37.0	41.0	45.8	39.2	39.4	38.3	42.4	47.3
	S.C.	34.9	35.4	29.6	30.2	23.0	36.2	37.1	31.8	32.3	24.5	37.6	38.9	34.1	34.5	26.0
	KW	4.93	4.91	4.91	4.94	4.95	5.03	5.03	5.02	5.05	5.06	5.07	5.08	5.06	5.09	5.10
125	T.C.	34.6	34.5	34.2	38.3	42.6	35.4	35.3	34.5	38.4	42.8	37.2	37.1	35.7	39.6	44.2
	S.C.	33.3	34.5	28.6	29.4	22.1	34.5	35.7	30.9	31.5	23.6	35.8	37.0	33.2	33.7	25.2
	KW	5.43	5.40	5.41	5.43	5.44	5.53	5.52	5.51	5.54	5.56	5.56	5.57	5.55	5.58	5.59

**NOTE:** ALL CAPACITIES INCLUDE INDOOR FAN HEAT. KW VALUES ARE FOR THE SYSTEM (OUTDOOR + INDOOR).

Green shaded cells are ACCA (TVA) conditions.

Blue shaded cells are AHRI conditions.

## Multipliers for determining the performance with other indoor sections.

**NOTE:** For dry bulb temperatures different than those listed (between 73-87 °F), sensible capacity increases by 1060 BTUH per 1000 CFM per degree above the listed temperature and decreases by 1060 BTUH per 1000 CFM per degree below the listed temperature.

**COIL MULTIPLIERS - 4 TON**

Air Handler	Coil	T.C.	S.C.	KW
-	CF/CM/CU60C	1.01	0.99	0.98
-	CF/CM/CU60D	1.01	0.99	0.98
AE48CX21	-	0.99	0.99	0.97
AE48DX21	-	1.00	1.00	0.96
AE60CX21	-	1.01	1.01	0.94
AVC48CX21	-	0.99	0.92	0.94
AVC48DX21	-	1.00	0.99	0.96
AVC60CX21	-	1.00	0.91	0.91
ME14DN21	CF/CM48D	1.00	1.00	0.96
ME14DN21	CF/CM60D	1.00	1.00	0.98
ME16CN21	CF/CM48C	0.99	0.99	0.97
ME16CN21	CF/CM60C	1.01	1.01	0.97
ME20DN21	CF/CM48D	1.00	0.99	0.98
ME20DN21	CF/CM60D	1.01	1.01	0.97
MVC16CN21	CF/CM48C	0.99	0.99	0.97
MVC20DN21	CF/CM48D	1.00	0.99	0.98
MVC20DN21	CF/CM60D	1.01	1.01	0.97

**FURNACE MULTIPLIERS - 4 TON**

Furnaces	Coil	T.C.	S.C.	KW
TM8V100C16MP11	CF/CM/CU48C	0.98	0.88	0.94
TM8V100C16MP11	CF/CM/CU48D	0.98	0.87	0.94
TM8V100C16MP11	CF/CM/CU60C	1.00	0.89	0.94
TM8V120C20MP11	CF/CM/CU48C	0.98	0.87	0.94
TM8V120C20MP11	CF/CM/CU60C	1.00	1.00	0.98
TM8V120C20MP11	CF/CM/CU60D	1.00	0.92	0.94
TM8X100C16MP11	CF/CM/CU48C	0.99	0.99	0.99
TM8X100C16MP11	CF/CM/CU48D	0.99	0.99	0.99
TM8X100C16MP11	CF/CM/CU60C	1.00	1.00	0.98
TM8X100C16MP11	CF/CM/CU60D	1.00	1.00	0.98
TM8X120C20MP11	CF/CM/CU48C	0.99	0.99	0.99
TM8X120C20MP11	CF/CM/CU48D	0.99	0.99	0.99
TM8X120C20MP11	CF/CM/CU60C	1.00	1.00	0.98
TM8X120C20MP11	CF/CM/CU60D	1.00	1.00	0.98
TM8X120C20MP11	CF/CM/CU48C	0.99	0.99	0.99
TM8X120C20MP11	CF/CM/CU48D	0.99	0.99	0.99
TM8X120C20MP11	CF/CM/CU60C	1.00	1.00	0.98
TM8X120C20MP11	CF/CM/CU60D	1.00	1.00	0.98
TM9E100C16MP11	CF/CM/CU48C	0.98	0.99	0.99
TM9E100C16MP11	CF/CM/CU60C	0.99	0.99	1.00
TM9E100C16MP11	CF/CM/CU60D	0.99	0.99	1.00
TM9E100C20MP11	CF/CM/CU48C	0.99	0.99	0.99
TM9E100C20MP11	CF/CM/CU48D	0.99	0.99	0.99
TM9E100C20MP11	CF/CM/CU60C	1.00	1.00	0.98
TM9E100C20MP11	CF/CM/CU60D	1.00	1.00	0.98
TM9E120D20MP11	CF/CM/CU48D	0.99	0.99	0.99
TM9E120D20MP11	CF/CM/CU60D	1.01	1.01	0.99
TM9V100C16MP11	CF/CM/CU48C	0.99	0.98	0.98
TM9V100C16MP11	CF/CM/CU48D	0.99	0.99	0.96
TM9V100C16MP11	CF/CM/CU60C	1.00	0.98	0.99
TM9V100C20MP11	CF/CM/CU48C	0.98	0.98	0.99
TM9V100C20MP11	CF/CM/CU48D	0.98	0.99	0.99
TM9V100C20MP11	CF/CM/CU60C	1.00	0.98	0.99
TM9V120D20MP11	CF/CM/CU60D	1.00	1.00	0.97
TMLV100C16MP11	CF/CM/CU48C	0.98	0.99	0.99
TMLV100C16MP11	CF/CM/CU48D	0.98	0.99	0.99
TMLV100C16MP11	CF/CM/CU60C	1.00	1.00	0.99
TMLV120C20MP11	CF/CM/CU48C	0.98	0.99	0.99

**FURNACE MULTIPLIERS - 4 TON (Continued)**

Furnaces	Coil	T.C.	S.C.	KW
TMLV120C20MP11	CF/CM/CU60C	1.00	1.00	0.98
TMLV120C20MP11	CF/CM/CU60D	1.00	1.02	0.98
YPLC100C16MP11	CF/CM/CU48C	0.98	0.99	0.99
YPLC100C16MP11	CF/CM/CU48D	0.98	0.99	0.99
YPLC100C16MP11	CF/CM/CU60C	1.00	1.00	0.99
YPLC120C20MP11	CF/CM/CU48C	0.98	0.99	0.99
YPLC120C20MP11	CF/CM/CU60C	1.00	1.00	0.98
YPLC120C20MP11	CF/CM/CU60D	1.00	1.02	0.98
TPLC100C16MP11	CF/CM/CU48C	0.98	0.99	0.99
TPLC100C16MP11	CF/CM/CU48D	0.98	0.99	0.99
TPLC100C16MP11	CF/CM/CU60C	1.00	1.00	0.99
TPLC120C20MP11	CF/CM/CU48C	0.98	0.99	0.99
TPLC120C20MP11	CF/CM/CU60C	1.00	1.00	0.98
TPLC120C20MP11	CF/CM/CU60D	1.00	1.02	0.98
TMLX100C16MP11	CF/CM/CU48C	0.99	0.99	0.99
TMLX100C16MP11	CF/CM/CU48D	0.99	0.99	0.99
TMLX100C16MP11	CF/CM/CU60C	1.00	1.00	0.98
TMLX100C16MP11	CF/CM/CU60D	1.00	1.00	0.98
TMLX120C20MP11	CF/CM/CU48C	0.99	0.99	0.99
TMLX120C20MP11	CF/CM/CU48D	0.99	0.99	0.99
TMLX120C20MP11	CF/CM/CU60C	1.00	1.00	0.98
TMLX120C20MP11	CF/CM/CU60D	1.00	1.00	0.98
TM8Y100C16MP11	CF/CM/CU48C	0.99	0.99	0.99
TM8Y100C16MP11	CF/CM/CU48D	0.99	0.99	0.99
TM8Y100C16MP11	CF/CM/CU60C	1.00	1.00	0.98
TM8Y100C16MP11	CF/CM/CU60D	1.00	1.00	0.98
TM8Y120C20MP11	CF/CM/CU48C	0.99	0.99	0.99
TM8Y120C20MP11	CF/CM/CU48D	0.99	0.99	0.99
TM8Y120C20MP11	CF/CM/CU60C	1.00	1.00	0.98
TM8Y120C20MP11	CF/CM/CU60D	1.00	1.00	0.98
TM9Y100C16MP11	CF/CM/CU48C	0.98	0.99	0.99
TM9Y100C16MP11	CF/CM/CU60C	0.99	0.99	1.00
TM9Y100C16MP11	CF/CM/CU60D	0.99	0.99	1.00
TM9Y100C20MP11	CF/CM/CU48C	0.99	0.99	0.99
TM9Y100C20MP11	CF/CM/CU48D	0.99	0.99	0.99
TM9Y100C20MP11	CF/CM/CU60C	1.00	1.00	0.98
TM9Y100C20MP11	CF/CM/CU60D	1.00	1.00	0.98
TM9Y120D20MP11	CF/CM/CU48D	0.99	0.99	0.99
TM9Y120D20MP11	CF/CM/CU60D	1.01	1.01	0.99
YP9C100C16MP11	CF/CM/CU48C	0.99	0.98	0.98
YP9C100C16MP11	CF/CM/CU48D	0.99	0.99	0.96
YP9C100C16MP11	CF/CM/CU60C	1.00	0.98	0.99
YP9C100C20MP11	CF/CM/CU48C	0.98	0.98	0.99
YP9C100C20MP11	CF/CM/CU48D	0.98	0.99	0.99
YP9C100C20MP11	CF/CM/CU60C	1.00	0.98	0.99
YP9C120D20MP11	CF/CM/CU60D	1.00	1.00	0.97
TP9C100C16MP11	CF/CM/CU48C	0.99	0.98	0.98
TP9C100C16MP11	CF/CM/CU48D	0.99	0.99	0.96
TP9C100C16MP11	CF/CM/CU60C	1.00	0.98	0.99
TP9C100C20MP11	CF/CM/CU48C	0.98	0.98	0.99
TP9C100C20MP11	CF/CM/CU48D	0.98	0.99	0.99
TP9C100C20MP11	CF/CM/CU60C	1.00	0.98	0.99
TP9C120D20MP11	CF/CM/CU60D	1.00	1.00	0.97

HEATING PERFORMANCE DATA										
CONDENSING UNIT MODEL NO		YHE48B21S								
AIR TEMP. ENTERING OUTDOOR UNIT (°F)	AIR TEMP. ENTERING INDOOR COIL (°F)	ID CFM								
		1400			1600			1800		
		MBH	COP	KW	MBH	COP	KW	MBH	COP	KW
60	60	59.2	4.49	3.86	60.0	4.65	3.78	60.9	4.82	3.70
	70	58.2	3.93	4.34	59.0	4.08	4.23	59.7	4.25	4.12
	80	57.2	3.49	4.81	57.9	3.63	4.67	58.6	3.79	4.53
47	60	51.1	4.12	3.63	51.4	4.22	3.57	51.7	4.31	3.51
	70	50.1	3.59	4.08	50.4	3.68	4.01	50.8	3.79	3.93
	80	49.1	3.17	4.54	49.5	3.27	4.44	49.9	3.36	4.35
40	60	45.7	3.86	3.47	46.6	3.96	3.45	47.5	4.06	3.43
	70	45.5	3.37	3.95	46.2	3.47	3.90	46.9	3.57	3.85
	80	45.3	2.99	4.44	45.8	3.08	4.36	46.4	3.18	4.28
30	60	40.0	3.52	3.33	40.5	3.59	3.31	41.1	3.66	3.29
	70	39.5	3.11	3.73	39.9	3.17	3.69	40.2	3.23	3.65
	80	39.1	2.77	4.14	39.2	2.82	4.08	39.3	2.87	4.02
17	60	29.6	2.94	2.95	31.9	3.05	3.06	34.1	3.15	3.17
	70	30.9	2.59	3.50	32.3	2.67	3.54	33.7	2.76	3.58
	80	32.2	2.33	4.04	32.7	2.39	4.01	33.3	2.45	3.98
10	60	30.0	2.85	3.08	29.9	2.85	3.08	29.93	2.85	3.08
	70	29.2	2.52	3.40	29.2	2.53	3.38	29.1	2.53	3.37
	80	28.5	2.25	3.71	28.4	2.26	3.68	28.3	2.27	3.66

NOTE: ALL CAPACITIES INCLUDE INDOOR FAN HEAT. KW VALUES ARE FOR THE SYSTEM (OUTDOOR + INDOOR).

Yellow shaded cells are AHRI High Heating conditions.

Orange shaded cells are AHRI Low Heating conditions.

#### Multipliers for determining the performance with other indoor sections.

#### COIL MULTIPLIERS - 4 TON

Air Handler	Coil	MBH	COP	KW
–	CF/CM/CU60C	0.94	0.96	0.98
–	CF/CM/CU60D	0.94	0.96	0.98
AE48CX21	–	0.95	1.00	0.95
AE48DX21	–	0.95	1.01	0.94
AE60CX21	–	0.95	1.01	0.94
AVC48CX21	–	0.94	0.96	0.98
AVC48DX21	–	0.95	1.00	0.95
AVC60CX21	–	0.94	0.96	0.98
ME14DN21	CF/CM48D	0.95	1.00	0.95
ME14DN21	CF/CM60D	0.96	0.98	0.97
ME16CN21	CF/CM48C	0.95	1.00	0.95
ME16CN21	CF/CM60C	0.95	1.00	0.95
ME20DN21	CF/CM48D	0.95	1.00	0.95
ME20DN21	CF/CM60D	0.95	1.00	0.95
MVC16CN21	CF/CM48C	0.95	1.00	0.95
MVC20DN21	CF/CM48D	0.95	1.00	0.95
MVC20DN21	CF/CM60D	0.95	1.00	0.95

**FURNACE MULTIPLIERS - 4 TON**

Furnaces	Coil	MBH	COP	KW
TM8V100C16MP11	CF/CM/CU48C	0.94	0.94	1.00
TM8V100C16MP11	CF/CM/CU48D	0.94	0.94	1.00
TM8V100C16MP11	CF/CM/CU60C	0.94	0.94	1.00
TM8V120C20MP11	CF/CM/CU48C	0.94	0.94	1.00
TM8V120C20MP11	CF/CM/CU60C	0.96	0.98	0.97
TM8V120C20MP11	CF/CM/CU60D	0.94	0.96	0.98
TM8X100C16MP11	CF/CM/CU48C	0.96	0.98	0.97
TM8X100C16MP11	CF/CM/CU48D	0.96	0.98	0.97
TM8X100C16MP11	CF/CM/CU60C	0.96	0.98	0.97
TM8X100C16MP11	CF/CM/CU60D	0.96	0.98	0.97
TM8X120C20MP11	CF/CM/CU48C	0.96	0.99	0.97
TM8X120C20MP11	CF/CM/CU48D	0.96	0.99	0.97
TM8X120C20MP11	CF/CM/CU60C	0.95	0.98	0.96
TM8X120C20MP11	CF/CM/CU60D	0.95	0.98	0.96
TM9E100C16MP11	CF/CM/CU48C	0.95	0.98	0.97
TM9E100C16MP11	CF/CM/CU60C	0.95	0.98	0.97
TM9E100C16MP11	CF/CM/CU60D	0.95	0.98	0.97
TM9E100C20MP11	CF/CM/CU48C	0.96	0.98	0.97
TM9E100C20MP11	CF/CM/CU48D	0.96	0.98	0.97
TM9E100C20MP11	CF/CM/CU60C	0.95	0.98	0.96
TM9E100C20MP11	CF/CM/CU60D	0.95	0.98	0.96
TM9E120D20MP11	CF/CM/CU48D	0.96	0.99	0.97
TM9E120D20MP11	CF/CM/CU60D	0.95	0.99	0.96
TM9V100C16MP11	CF/CM/CU48C	0.96	0.98	0.98
TM9V100C16MP11	CF/CM/CU48D	0.95	0.99	0.95
TM9V100C16MP11	CF/CM/CU60C	0.96	0.97	0.99
TM9V100C20MP11	CF/CM/CU48C	0.95	0.98	0.98
TM9V100C20MP11	CF/CM/CU48D	0.95	0.99	0.97
TM9V100C20MP11	CF/CM/CU60C	0.96	0.97	0.99
TM9V120D20MP11	CF/CM/CU60D	0.95	0.99	0.96
TMLV100C16MP11	CF/CM/CU48C	0.95	0.98	0.97
TMLV100C16MP11	CF/CM/CU48D	0.95	0.99	0.97
TMLV100C16MP11	CF/CM/CU60C	0.95	0.98	0.97
TMLV120C20MP11	CF/CM/CU48C	0.95	0.99	0.97
TMLV120C20MP11	CF/CM/CU60C	0.96	0.98	0.97
TMLV120C20MP11	CF/CM/CU60D	0.95	1.00	0.95
YPLC100C16MP11	CF/CM/CU48C	0.95	0.98	0.97
YPLC100C16MP11	CF/CM/CU48D	0.95	0.99	0.97
YPLC100C16MP11	CF/CM/CU60C	0.95	0.98	0.97
YPLC120C20MP11	CF/CM/CU48C	0.95	0.99	0.97
YPLC120C20MP11	CF/CM/CU60C	0.96	0.98	0.97
YPLC120C20MP11	CF/CM/CU60D	0.95	1.00	0.95
TPLC100C16MP11	CF/CM/CU48C	0.95	0.98	0.97
TPLC100C16MP11	CF/CM/CU48D	0.95	0.99	0.97
TPLC100C16MP11	CF/CM/CU60C	0.95	0.98	0.97

**FURNACE MULTIPLIERS - 4 TON (Continued)**

Furnaces	Coil	MBH	COP	KW
TPLC120C20MP11	CF/CM/CU48C	0.95	0.99	0.97
TPLC120C20MP11	CF/CM/CU60C	0.96	0.98	0.97
TPLC120C20MP11	CF/CM/CU60D	0.95	1.00	0.95
TMLX100C16MP11	CF/CM/CU48C	0.96	0.98	0.97
TMLX100C16MP11	CF/CM/CU48D	0.96	0.98	0.97
TMLX100C16MP11	CF/CM/CU60C	0.96	0.98	0.97
TMLX100C16MP11	CF/CM/CU60D	0.96	0.98	0.97
TMLX120C20MP11	CF/CM/CU48C	0.96	0.99	0.97
TMLX120C20MP11	CF/CM/CU48D	0.96	0.99	0.97
TMLX120C20MP11	CF/CM/CU60C	0.95	0.98	0.96
TMLX120C20MP11	CF/CM/CU60D	0.95	0.98	0.96
TM8Y100C16MP11	CF/CM/CU48C	0.96	0.98	0.97
TM8Y100C16MP11	CF/CM/CU48D	0.96	0.98	0.97
TM8Y100C16MP11	CF/CM/CU60C	0.96	0.98	0.97
TM8Y100C16MP11	CF/CM/CU60D	0.96	0.98	0.97
TM8Y120C20MP11	CF/CM/CU48C	0.96	0.99	0.97
TM8Y120C20MP11	CF/CM/CU48D	0.96	0.99	0.97
TM8Y120C20MP11	CF/CM/CU60C	0.95	0.98	0.96
TM8Y120C20MP11	CF/CM/CU60D	0.95	0.98	0.96
TM9Y100C16MP11	CF/CM/CU48C	0.95	0.98	0.97
TM9Y100C16MP11	CF/CM/CU60C	0.95	0.98	0.97
TM9Y100C16MP11	CF/CM/CU60D	0.95	0.98	0.97
TM9Y100C20MP11	CF/CM/CU48C	0.96	0.98	0.97
TM9Y100C20MP11	CF/CM/CU48D	0.96	0.98	0.97
TM9Y100C20MP11	CF/CM/CU60C	0.95	0.98	0.96
TM9Y100C20MP11	CF/CM/CU60D	0.95	0.98	0.96
TM9Y120D20MP11	CF/CM/CU48D	0.96	0.99	0.97
TM9Y120D20MP11	CF/CM/CU60D	0.95	0.99	0.96
YP9C100C16MP11	CF/CM/CU48C	0.96	0.98	0.98
YP9C100C16MP11	CF/CM/CU48D	0.95	0.99	0.95
YP9C100C16MP11	CF/CM/CU60C	0.96	0.97	0.99
YP9C100C20MP11	CF/CM/CU48C	0.95	0.98	0.98
YP9C100C20MP11	CF/CM/CU48D	0.95	0.99	0.97
YP9C100C20MP11	CF/CM/CU60C	0.96	0.97	0.99
YP9C120D20MP11	CF/CM/CU60D	0.95	0.99	0.96
TP9C100C16MP11	CF/CM/CU48C	0.96	0.98	0.98
TP9C100C16MP11	CF/CM/CU48D	0.95	0.99	0.95
TP9C100C16MP11	CF/CM/CU60C	0.96	0.97	0.99
TP9C100C20MP11	CF/CM/CU48C	0.95	0.98	0.98
TP9C100C20MP11	CF/CM/CU48D	0.95	0.99	0.97
TP9C100C20MP11	CF/CM/CU60C	0.96	0.97	0.99
TP9C120D20MP11	CF/CM/CU60D	0.95	0.99	0.96

## PERFORMANCE DATA - 5 TON

CONDENSER-ONLY DATA (OUTDOOR UNIT)																
MODEL	SATURATED SUCTION @ COMPRESSOR		Outdoor Ambient Temperature													
			65 °F		75 °F		85 °F		95 °F		105 °F		115 °F		125 °F	
	T (°F)	P (PSIG)	MBH	KW	MBH	KW	MBH	KW	MBH	KW	MBH	KW	MBH	KW	MBH	KW
YHE60B21S	35	107	54.6	3.17	52.1	3.55	49.6	3.93	47.1	4.32	44.6	4.70	42.2	5.08	39.7	5.46
	40	119	61.4	3.67	58.0	4.03	54.7	4.39	51.3	4.75	47.9	5.10	44.6	5.46	41.2	5.82
	45	130	68.2	4.18	64.0	4.51	59.7	4.84	55.5	5.18	51.2	5.51	47.0	5.84	42.7	6.17
	50	143	75.0	4.69	69.9	4.99	64.7	5.30	59.6	5.60	54.5	5.91	49.4	6.22	44.2	6.52
	55	156	81.8	5.19	75.8	5.47	69.8	5.75	63.8	6.03	57.8	6.31	51.8	6.60	45.8	6.88

## Notes:

- For Outdoor Unit (Condenser) performance only. Data does not include the effects of air handler power or heat.
- Performance based on 15°F subcooling and 15°F superheat at the Outdoor Unit base valves.
  - Increase capacity by 1% for each 2°F increase in subcooling.
  - Decrease capacity by 1% for each 2°F decrease in subcooling.
- Maximum recommended condensing temperature is 140°F.

COOLING PERFORMANCE DATA																
AIR CONDITIONER MODEL NO.		YHE60B21S														
AIR TEMP. ENTERING OUTDOOR UNIT (°F)	IDCFM	1600					1850					2100				
	ID DB (°F)	80	80	75	80	80	80	80	75	80	80	80	80	75	80	80
	ID WB (°F)	57	62	62	67	72	57	62	62	67	72	57	62	62	67	72
65	T.C.	54.3	57.6	57.5	61.2	64.3	55.4	57.6	57.5	60.7	63.3	56.4	57.7	57.5	60.1	62.3
	S.C.	53.2	47.6	40.9	39.0	30.1	56.0	50.7	43.5	40.8	30.9	58.9	53.8	46.1	42.5	31.7
	KW	3.45	3.49	3.47	3.51	3.50	3.55	3.59	3.57	3.60	3.59	3.65	3.69	3.67	3.69	3.68
75	T.C.	52.8	55.8	55.7	60.6	65.5	54.2	56.0	55.9	60.5	64.9	55.7	56.2	56.1	60.4	64.4
	S.C.	51.8	47.4	40.4	39.6	31.0	54.5	51.1	43.3	42.1	32.3	57.1	54.7	46.2	44.5	33.7
	KW	3.74	3.81	3.77	3.82	3.81	3.84	3.91	3.87	3.92	3.91	3.94	4.01	3.97	4.02	4.01
85	T.C.	50.6	53.1	53.1	57.7	63.1	52.1	53.3	53.1	57.6	62.7	53.5	53.5	53.2	57.5	62.3
	S.C.	49.8	46.3	39.1	38.6	30.2	52.3	49.9	41.9	41.2	31.7	54.7	53.6	44.7	43.8	33.1
	KW	4.17	4.22	4.19	4.24	4.23	4.27	4.32	4.29	4.33	4.33	4.37	4.42	4.39	4.42	4.43
95	T.C.	48.5	50.5	50.4	54.8	60.7	49.9	50.7	50.3	54.7	60.5	51.2	50.8	50.2	54.6	60.3
	S.C.	47.7	45.1	37.8	37.6	29.5	50.1	48.8	40.5	40.3	31.0	52.4	52.5	43.1	43.0	32.6
	KW	4.59	4.63	4.61	4.66	4.65	4.69	4.73	4.70	4.75	4.74	4.79	4.83	4.79	4.84	4.83
105	T.C.	46.0	47.3	47.2	51.3	56.9	47.2	47.4	47.0	51.1	56.5	48.4	47.4	46.9	50.9	56.2
	S.C.	45.3	43.6	36.5	36.3	28.2	47.4	47.0	39.2	38.9	29.7	49.5	50.4	41.8	41.6	31.3
	KW	5.17	5.20	5.17	5.22	5.22	5.26	5.29	5.27	5.32	5.32	5.35	5.38	5.37	5.42	5.42
115	T.C.	43.6	44.1	44.0	47.9	53.1	44.6	44.1	43.8	47.6	52.6	45.6	44.0	43.6	47.3	52.2
	S.C.	42.9	42.0	35.2	34.9	26.9	44.8	45.2	37.8	37.6	28.4	46.7	48.3	40.5	40.2	30.0
	KW	5.74	5.76	5.74	5.79	5.80	5.83	5.85	5.83	5.88	5.89	5.92	5.94	5.92	5.97	5.98
125	T.C.	41.1	41.0	40.8	44.4	49.3	41.9	40.7	40.5	44.0	48.7	42.8	40.5	40.2	43.7	48.1
	S.C.	40.4	40.5	33.9	33.6	25.5	42.1	43.3	36.5	36.2	27.1	43.8	46.2	39.1	38.8	28.7
	KW	6.31	6.32	6.31	6.36	6.37	6.40	6.42	6.40	6.45	6.47	6.49	6.52	6.49	6.54	6.57

**NOTE:** ALL CAPACITIES INCLUDE INDOOR FAN HEAT. KW VALUES ARE FOR THE SYSTEM (OUTDOOR + INDOOR).

Green shaded cells are ACCA (TVA) conditions.

Blue shaded cells are AHRI conditions.

## Multipliers for determining the performance with other indoor sections.

**NOTE:** For dry bulb temperatures different than those listed (between 73-87 °F), sensible capacity increases by 1060 BTUH per 1000 CFM per degree above the listed temperature and decreases by 1060 BTUH per 1000 CFM per degree below the listed temperature.

**COIL MULTIPLIERS - 5 TON**

Air Handler	Coil	T.C.	S.C.	KW
AE60DX21	–	1.03	1.02	0.96
AVC60DX21	–	1.03	1.02	0.96
ME20DN21	CF/CM64D	1.02	1.02	0.99
MVC20DN21	CF/CM64D	1.03	1.03	1.00

**FURNACE MULTIPLIERS - 5 TON**

Furnaces	Coil	T.C.	S.C.	KW
TM8V100C20MP11	CF/CM64D	1.03	1.01	0.99
TM8V120C20MP11	CF/CM64D	1.03	1.01	0.99
TM8X080C16MP11	CF/CM64D	1.02	1.02	0.99
TM8X100C16MP11	CF/CM64D	1.02	1.02	0.99
TM8X100C20MP11	CF/CM64D	1.03	1.02	0.99
TM8X120C20MP11	CF/CM64D	1.03	1.02	0.99
TM8Y080C16MP11	CF/CM64D	1.02	1.02	0.99
TM8Y100C16MP11	CF/CM64D	1.02	1.02	0.99
TM8Y100C20MP11	CF/CM64D	1.03	1.02	0.99
TM8Y120C20MP11	CF/CM64D	1.03	1.02	0.99

**FURNACE MULTIPLIERS - 5 TON (Continued)**

Furnaces	Coil	T.C.	S.C.	KW
TM9E100C20MP11	CF/CM64D	1.02	1.02	0.99
TM9E120D20MP11	CF/CM64D	1.03	1.02	1.00
TM9V120D20MP11	CF/CM64D	1.02	1.01	0.98
TM9Y100C20MP11	CF/CM64D	1.02	1.02	0.99
TM9Y120D20MP11	CF/CM64D	1.03	1.02	1.00
TMLV100C20MP11	CF/CM64D	1.03	1.01	0.99
TMLV120C20MP11	CF/CM64D	1.03	1.01	0.99
TMLX080C16MP11	CF/CM64D	1.02	1.02	0.99
TMLX100C16MP11	CF/CM64D	1.02	1.02	0.99
TMLX100C20MP11	CF/CM64D	1.03	1.02	0.99
TMLX120C20MP11	CF/CM64D	1.03	1.02	0.99
TP9C120D20MP11	CF/CM64D	1.02	1.01	0.98
TPLC100C20MP11	CF/CM64D	1.03	1.01	0.99
TPLC120C20MP11	CF/CM64D	1.03	1.01	0.99
YP9C120D20MP11	CF/CM64D	1.02	1.01	0.98
YPLC100C20MP11	CF/CM64D	1.03	1.01	0.99
YPLC120C20MP11	CF/CM64D	1.03	1.01	0.99

HEATING PERFORMANCE DATA										
CONDENSING UNIT MODEL NO		YHE60B21S								
AIR TEMP. ENTERING OUTDOOR UNIT (°F)	AIR TEMP. ENTERING INDOOR COIL (°F)	ID CFM								
		1600			1850			2100		
		MBH	COP	KW	MBH	COP	KW	MBH	COP	KW
60	60	70.3	4.89	4.21	71.2	5.14	4.06	72.2	5.39	3.91
	70	68.7	4.32	4.66	69.6	4.54	4.49	70.5	4.76	4.32
	80	67.1	3.85	5.11	68.0	4.06	4.91	68.8	4.26	4.71
47	60	60.5	4.46	3.97	61.3	4.66	3.86	62.2	4.85	3.75
	70	59.2	3.94	4.40	60.1	4.12	4.27	61.0	4.30	4.14
	80	57.9	3.52	4.82	58.8	3.68	4.68	59.8	3.85	4.54
40	60	55.1	4.19	3.85	55.8	4.34	3.76	56.5	4.50	3.67
	70	54.1	3.71	4.27	54.8	3.85	4.17	55.5	3.99	4.07
	80	53.1	3.32	4.69	53.9	3.45	4.58	54.6	3.57	4.47
30	60	48.0	3.79	3.71	48.2	3.88	3.64	48.4	3.97	3.57
	70	46.8	3.35	4.10	46.6	3.40	4.02	46.5	3.45	3.94
	80	45.6	2.98	4.49	45.1	3.01	4.39	44.5	3.04	4.29
17	60	40.2	3.33	3.54	40.8	3.39	3.52	41.3	3.46	3.50
	70	39.3	2.95	3.91	40.1	3.02	3.89	40.9	3.10	3.87
	80	38.5	2.64	4.27	39.5	2.72	4.26	40.5	2.79	4.25
10	60	35.9	3.06	3.44	36.3	3.10	3.43	36.74	3.15	3.42
	70	35.2	2.71	3.80	35.6	2.76	3.78	36.1	2.81	3.76
	80	34.4	2.42	4.16	34.9	2.48	4.13	35.4	2.53	4.10

**NOTE:** ALL CAPACITIES INCLUDE INDOOR FAN HEAT. KW VALUES ARE FOR THE SYSTEM (OUTDOOR + INDOOR).  
Yellow shaded cells are AHRI High Heating conditions.  
Orange shaded cells are AHRI Low Heating conditions.

**Multipliers for determining the performance with other indoor sections.**

**COIL MULTIPLIERS - 5 TON**

Air Handler	Coil	T.C.	S.C.	KW
AE60DX21	–	0.97	0.98	0.99
AVC60DX21	–	0.97	0.98	0.99
ME20DN21	CF/CM64D	0.97	0.98	0.99
MVC20DN21	CF/CM64D	0.97	0.99	0.98

**FURNACE MULTIPLIERS - 5 TON**

Furnaces	Coil	T.C.	S.C.	KW
TM8V100C20MP11	CF/CM64D	0.97	0.97	1.00
TM8V120C20MP11	CF/CM64D	0.97	0.97	1.00
TM8X080C16MP11	CF/CM64D	0.98	0.97	1.00
TM8X100C16MP11	CF/CM64D	0.98	0.97	1.00
TM8X100C20MP11	CF/CM64D	0.97	0.98	0.99
TM8X120C20MP11	CF/CM64D	0.97	0.98	0.99
TM8Y080C16MP11	CF/CM64D	0.98	0.97	1.00
TM8Y100C16MP11	CF/CM64D	0.98	0.97	1.00
TM8Y100C20MP11	CF/CM64D	0.97	0.98	0.99
TM8Y120C20MP11	CF/CM64D	0.97	0.98	0.99
TM9E100C20MP11	CF/CM64D	0.98	0.98	1.00
TM9E120D20MP11	CF/CM64D	0.98	0.98	0.99
TM9V120D20MP11	CF/CM64D	0.98	0.98	1.00
TM9Y100C20MP11	CF/CM64D	0.98	0.98	1.00
TM9Y120D20MP11	CF/CM64D	0.98	0.98	0.99
TMLV100C20MP11	CF/CM64D	0.97	0.97	1.00
TMLV120C20MP11	CF/CM64D	0.97	0.97	1.00
TMLX080C16MP11	CF/CM64D	0.98	0.97	1.00
TMLX100C16MP11	CF/CM64D	0.98	0.97	1.00
TMLX100C20MP11	CF/CM64D	0.97	0.98	0.99
TMLX120C20MP11	CF/CM64D	0.97	0.98	0.99
TP9C120D20MP11	CF/CM64D	0.98	0.98	1.00
TPLC100C20MP11	CF/CM64D	0.97	0.97	1.00
TPLC120C20MP11	CF/CM64D	0.97	0.97	1.00
YP9C120D20MP11	CF/CM64D	0.98	0.98	1.00
YPLC100C20MP11	CF/CM64D	0.97	0.97	1.00
YPLC120C20MP11	CF/CM64D	0.97	0.97	1.00

# NOTES